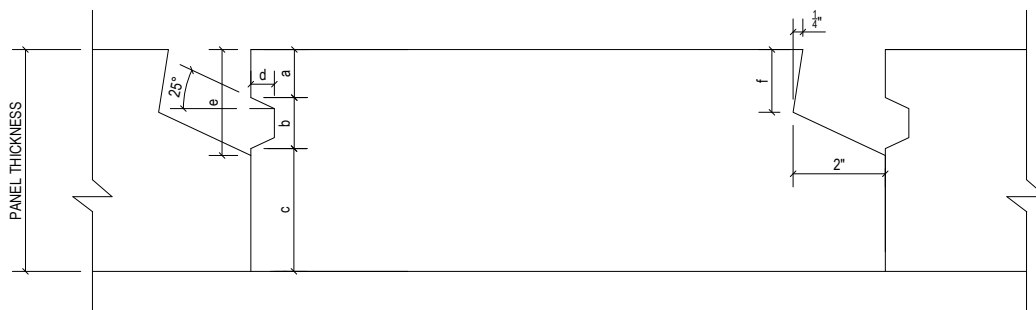


Slab Panel Floor and Roof

Technical Sheet SP-01



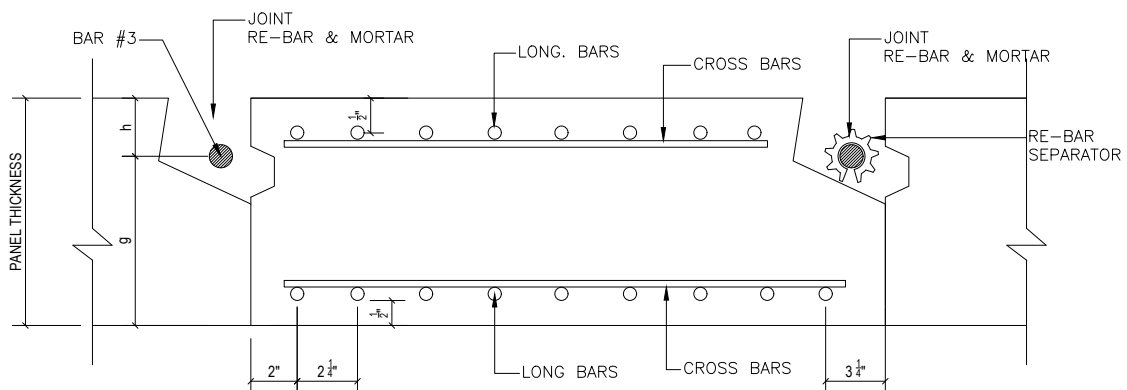
Cross Section of Slab Panel 4" and 6"



CROSS SECTION

PROFILE DIMENSIONS

PANEL THICKNESS	a	b	c	d	e	f	g	h
4"	1"	1"	2"	1/2"	2 1/8"	3/8"	2 7/8"	1 1/8"
6"	1"	1"	4"	1/2"	2 1/8"	7/8"	4 7/8"	1 1/8"



NOTES

- 1.- DIMENSIONS INCHES
- 2.- ALL HEBEL SLAB PANEL SHOULD BE DESIGNED IN ACCORDANCE TO THE DESIGN METHODOLOGY PROVIDED BY ACI-523R09
- 3.- QUANTITY OF BARS IN ACCORDANCE TO THE PANEL DESIGN SEE PANEL POSITION AND TICKETS

LITECRETE S.A. DE C.V.

Río Amacuzac #1201 Ote. ■ Col. Valle Oriente ■ San Pedro Garza García, N.L. ■ México ■ 66269

Tel. +52 (81)8399-2464 +52 (81)8399-2462 Fax +52 (81)8399-2420

www.hebel.mx

August 2020

Slab Panel Floor and Roof

Technical Sheet SP-02

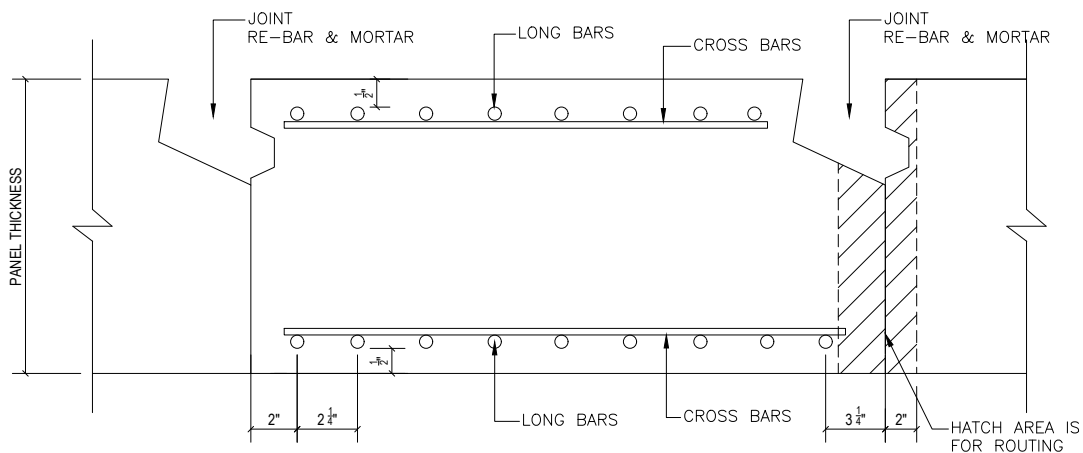


Cross Section of Slab Panel 8" and 10"



CROSS SECTION

PROFILE DIMENSIONS						
PANEL THICKNESS	a	b	c	d	e	f
8"	2"	1"	5"	1/2"	3 1/8"	2 1/4"
10"	2"	1"	7 1/8"	1/2"	3 1/8"	2 1/4"



NOTES

- 1.- DIMENSIONS INCHES
- 2.- ALL HEBEL SLAB PANEL SHOULD BE DESIGNED IN ACCORDANCE TO THE DESIGN METHODOLOGY PROVIDED BY ACI-523R09

- 3.- QUANTITY OF BARS IN ACCORDANCE TO THE PANEL DESIGN SEE PANEL POSITION AND TICKETS

LITECRETE S.A. DE C.V.

Río Amacuzac #1201 Ote. ■ Col. Valle Oriente ■ San Pedro Garza García, N.L. ■ México ■ 66269

Tel. +52 (81)8399-2464 +52 (81)8399-2462 Fax +52 (81)8399-2420

www.hebel.mx

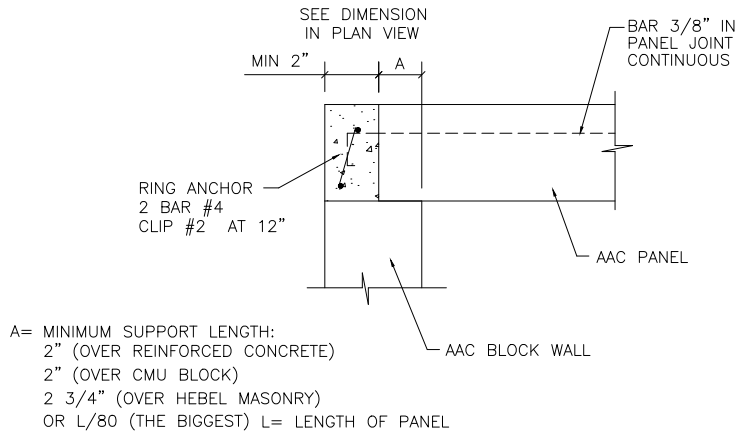
August 2020

Slab Panel Floor and Roof

Technical Sheet SP-03

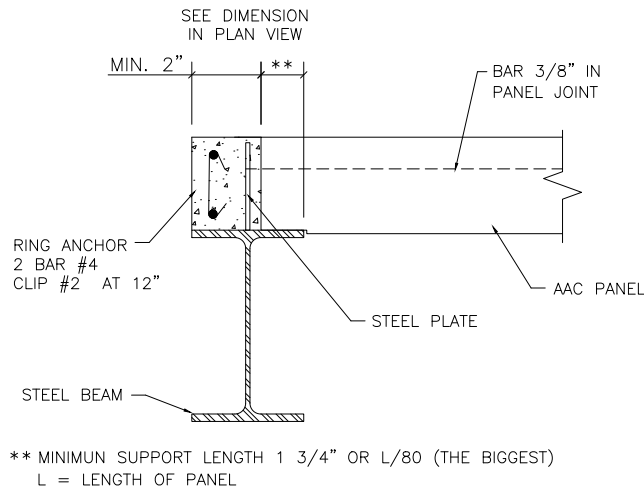


Panel Support Detail



SUPPORT OVER MASONRY WALL

w/s



SUPPORT OVER STEEL STRUCTURE

w/s

NOTES

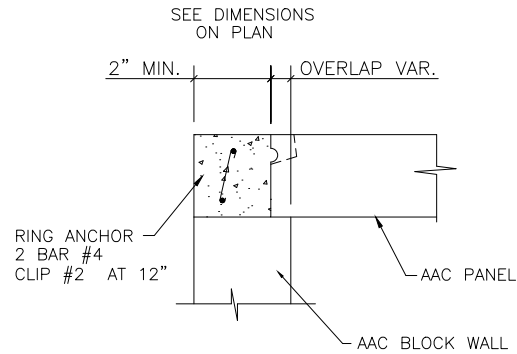
- 1.- DIMENSIONS INCHES.
- 2.- PANEL THICKNESS AND DIMENSIONS OF REINFORCEMENT, ACCORDING STRUCTURAL DESIGN AND SHOP DRAWINGS.
- 3.- SUPPORT LENGTHS ARE RECOMMENDED.

Slab Panel Floor and Roof

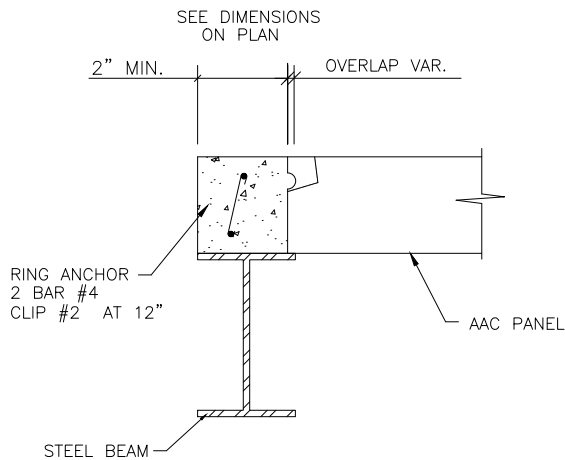
Technical Sheet SP-04



Overlap Panel Detail



SUPPORT OVER AAC BLOCK WALL
W/S



SUPPORT OVER STEEL STRUCTURE
W/S

NOTES

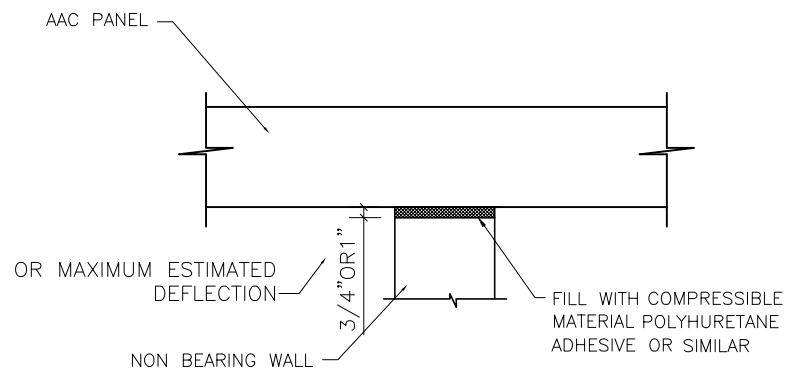
- 1.- DIMENSIONS INCHES
- 2.- PANEL THICKNESS AND DIMENSIONS OF REINFORCEMENT, ACCORDING STRUCTURAL DESIGN AND SHOP DRAWINGS.
- 3.- SUPPORT LENGTHS ARE RECOMENDED.

Slab Panel Floor and Roof

Technical Sheet SP-05



Wall Insolated Detail



SUPPORT OVER AAC BLOCK WALL

w/s

NOTES

- 1.- DIMENSIONS INCHES
- 2.- PANEL THICKNESS AND DIMENSIONS OF REINFORCEMENT, ACCORDING STRUCTURAL DESIGN AND SHOP DRAWINGS.
- 3.- SUPPORT LENGHTS ARE RECOMENDED.

LITECRETE S.A. DE C.V.

Río Amacuzac #1201 Ote. ■ Col. Valle Oriente ■ San Pedro Garza García, N.L. ■ México ■ 66269

Tel. +52 (81)8399-2464 +52 (81)8399-2462 Fax +52 (81)8399-2420

www.hebel.mx

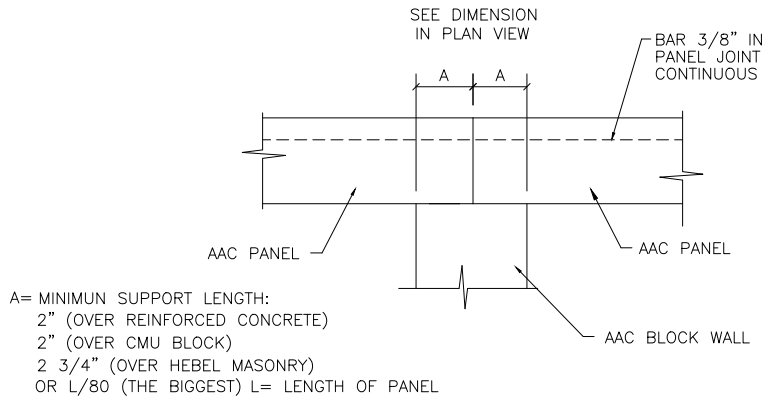
August 2020

Slab Panel Floor and Roof

Technical Sheet SP-06

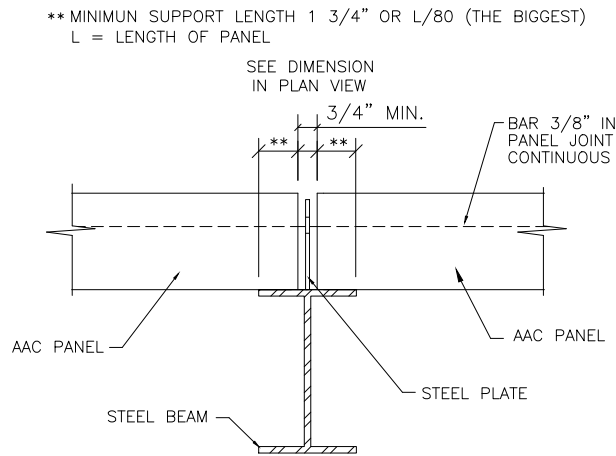


Panel Support Detail



SUPPORT OVER MASONRY WALL

w/s



SUPPORT OVER STEEL STRUCTURE

w/s

NOTES

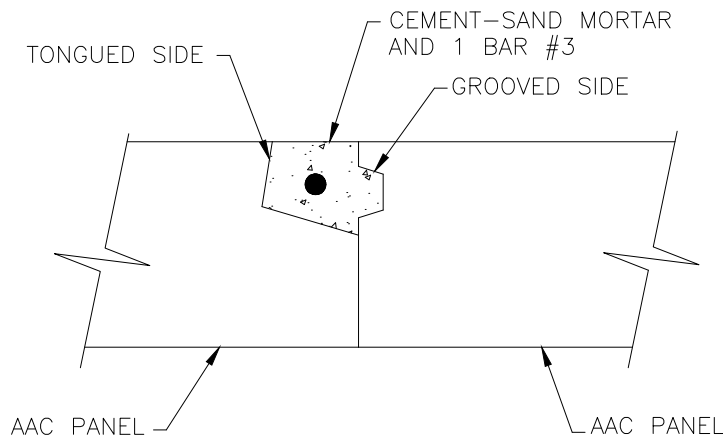
- 1.- DIMENSIONS INCHES
- 2.- PANEL THICKNESS AND DIMENSIONS OF REINFORCEMENT, ACCORDING STRUCTURAL DESIGN AND SHOP DRAWINGS.
- 3.- SUPPORT LENGTHS ARE RECOMENDED.

Slab Panel Floor and Roof

Technical Sheet SP-07A



Typical Panel Joint



SECTION
W/S

NOTES

- 1.- DIMENSIONS INCHES
- 2.- PANEL THICKNESS AND DIMENSIONS OF REINFORCEMENT, ACCORDING STRUCTURAL DESIGN AND SHOP DRAWINGS.
- 3.- TYPICAL DETAIL IN CASE OF DROP CEILING.

LITCRETE S.A. DE C.V.
Río Amacuzac #1201 Ote. ■ Col. Valle Oriente ■ San Pedro Garza García, N.L. ■ México ■ 66269
Tel. +52 (81)8399-2464 +52 (81)8399-2462 Fax +52 (81)8399-2420

www.hebel-usa.com

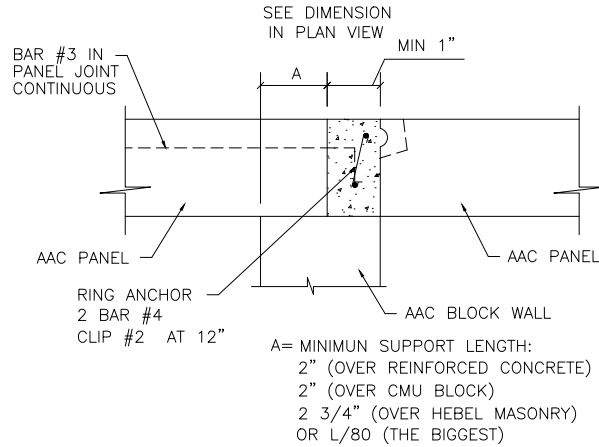
August 2020

Slab Panel Floor and Roof

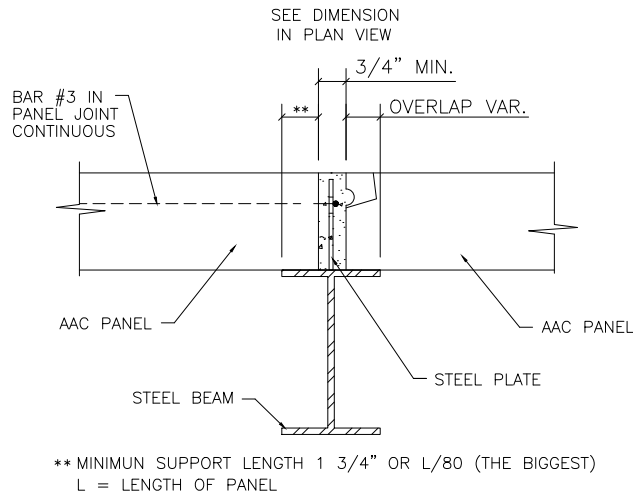
Technical Sheet SP-08



Support and Overlap Detail



SUPPORT OVER MASONRY WALL
w/s



SUPPORT OVER STEEL STRUCTURE
w/s

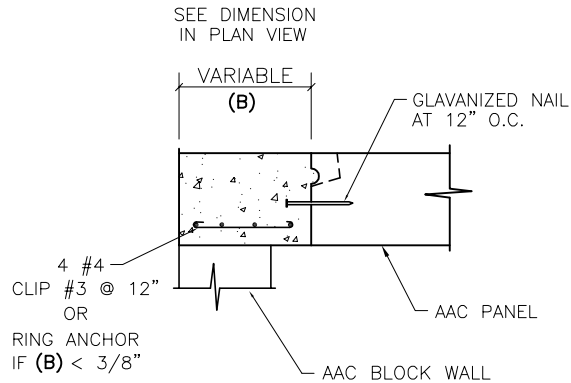
NOTES

- 1.- DIMENSIONS INCHES
- 2.- PANEL THICKNESS AND DIMENSIONS OF REINFORCEMENT, ACCORDING STRUCTURAL DESIGN AND SHOP DRAWINGS.
- 3.- SUPPORT LENGTHS ARE RECOMENDED.

Slab Panel Floor and Roof

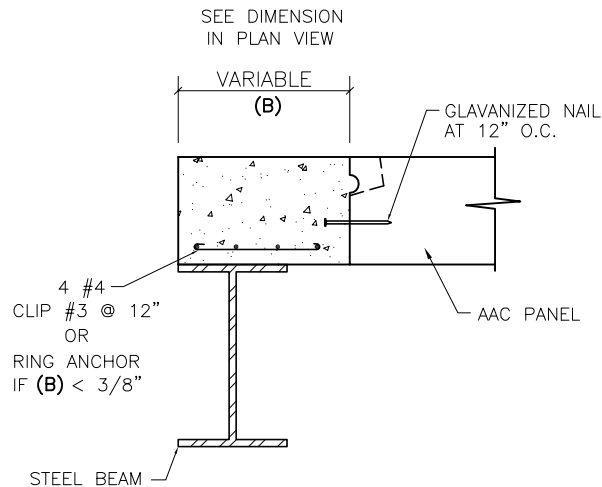
Technical Sheet SP-09

Concrete Adjustment



ADJUSTMENT OVER AAC BLOCK WALL

W/S



ADJUSTMENT OVER STEEL STRUCTURE

W/S

NOTES

- 1.- DIMENSIONS INCHES
- 2.- PANEL THICKNESS AND DIMENSIONS OF REINFORCEMENT, ACCORDING STRUCTURAL DESIGN AND SHOP DRAWINGS.
- 3.- SUPPORT LENGHTS ARE RECOMENDED.

LITECRETE S.A. DE C.V.

Río Amacuzac #1201 Ote. ■ Col. Valle Oriente ■ San Pedro Garza García, N.L. ■ México ■ 66269

Tel. +52 (81)8399-2464 +52 (81)8399-2462 Fax +52 (81)8399-2420

www.hebel.mx

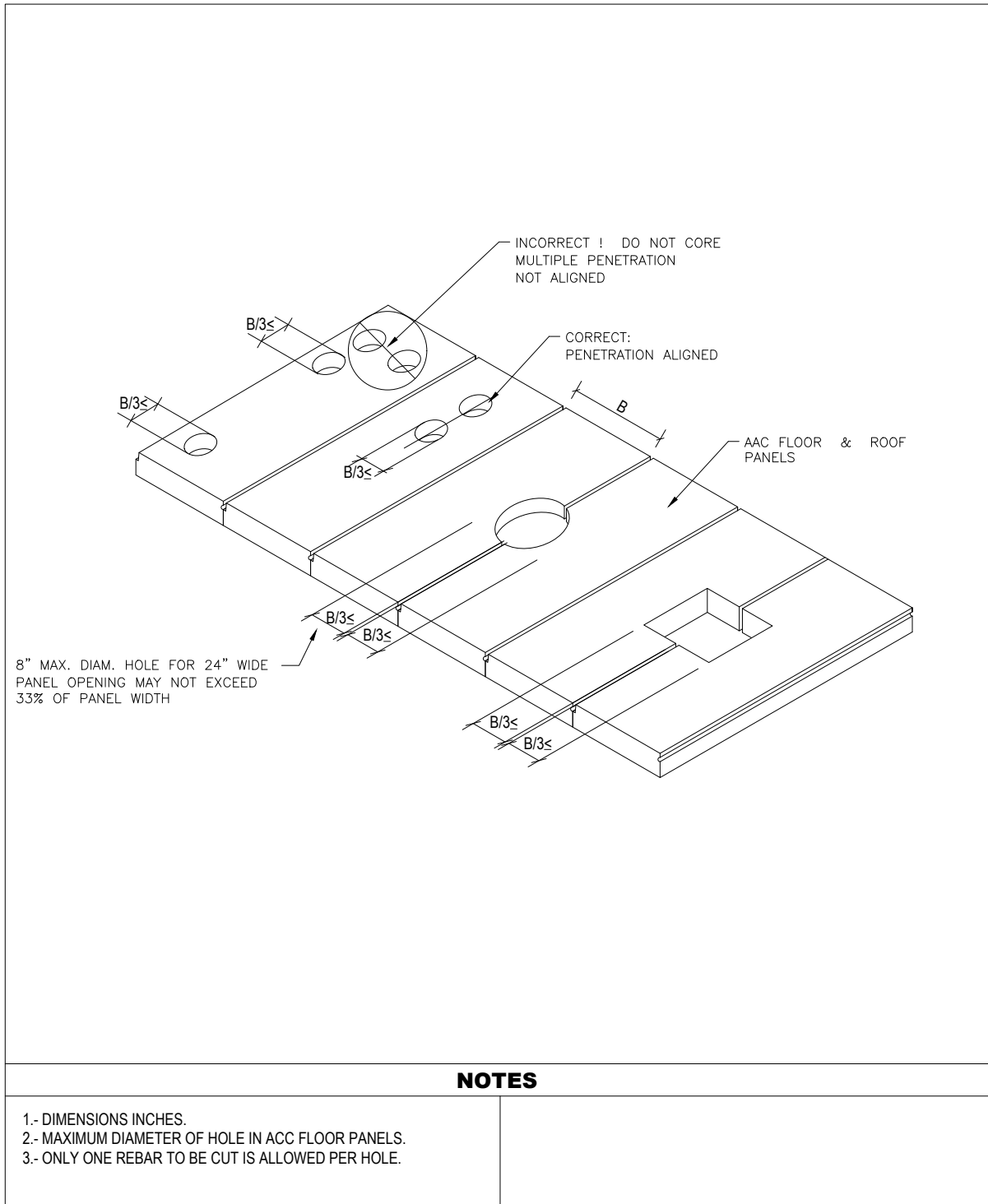
August 2020

Slab Panel Floor and Roof

Technical Sheet SP-10.1



Penetrations in AAC Slab Panels



LITECRETE S.A. DE C.V.

Río Amacuzac #1201 Ote. ■ Col. Valle Oriente ■ San Pedro Garza García, N.L. ■ México ■ 66269

Tel. +52 (81)8399-2464 +52 (81)8399-2462 Fax +52 (81)8399-2420

www.hebel.mx

August 2020

Slab Panel Floor and Roof

Technical Sheet SP-11



Special Cuts for AAC Slab Panels

8" FOR MAX. 24" WIDE PANEL
CUT OFF MAY NOT EXCEED
33% OF PANEL WIDTH

B/3

B

CUT LINE

AAC FLOOR & ROOF
PANELS

LONGITUDINAL CUT

AAC FLOOR & ROOF
PANELS

CUT LINE

CUT DIMENSION MUST BE
CHECKED WITH THE ENGINEERING
DEPARTMENT

$\le 24''$

X

TRANSVERSAL CUT

NOTES

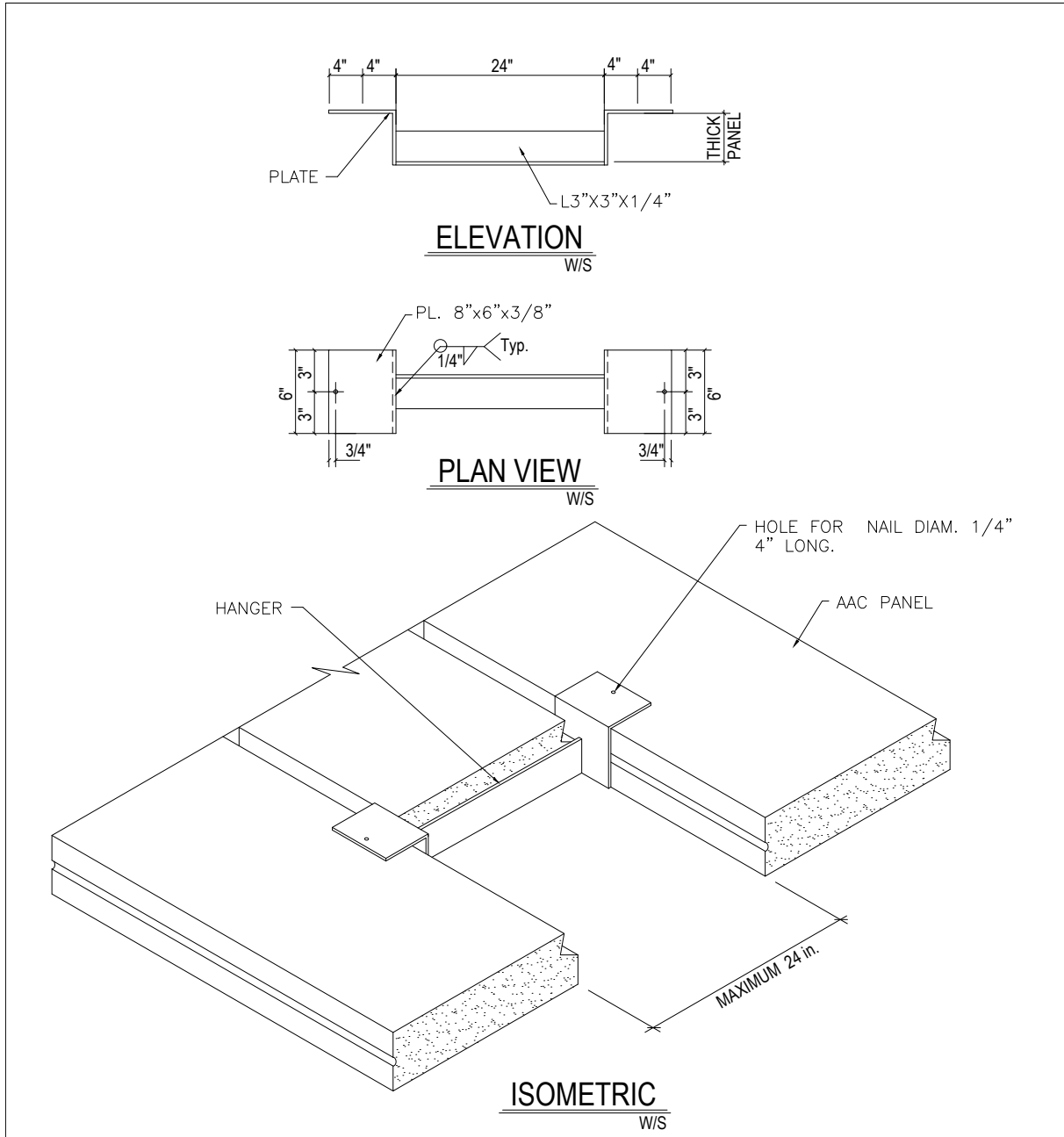
1.- DIMENSIONS INCHES	3.- IN LONGITUDINAL CUTS, VERIFY MINIMUM QUANTITY OF RE-BARS REQUIRED FOR DESIGN WITH THE NEW PANEL WIDTH.
2.- ALL HEBEL SLAB PANEL SHOULD BE DESIGNED IN ACCORDANCE TO THE DESIGN METHODOLOGY PROVIDED BY ACI-523R09	

Slab Panel Floor and Roof

Technical Sheet SP-12



Hanger Detail



NOTES

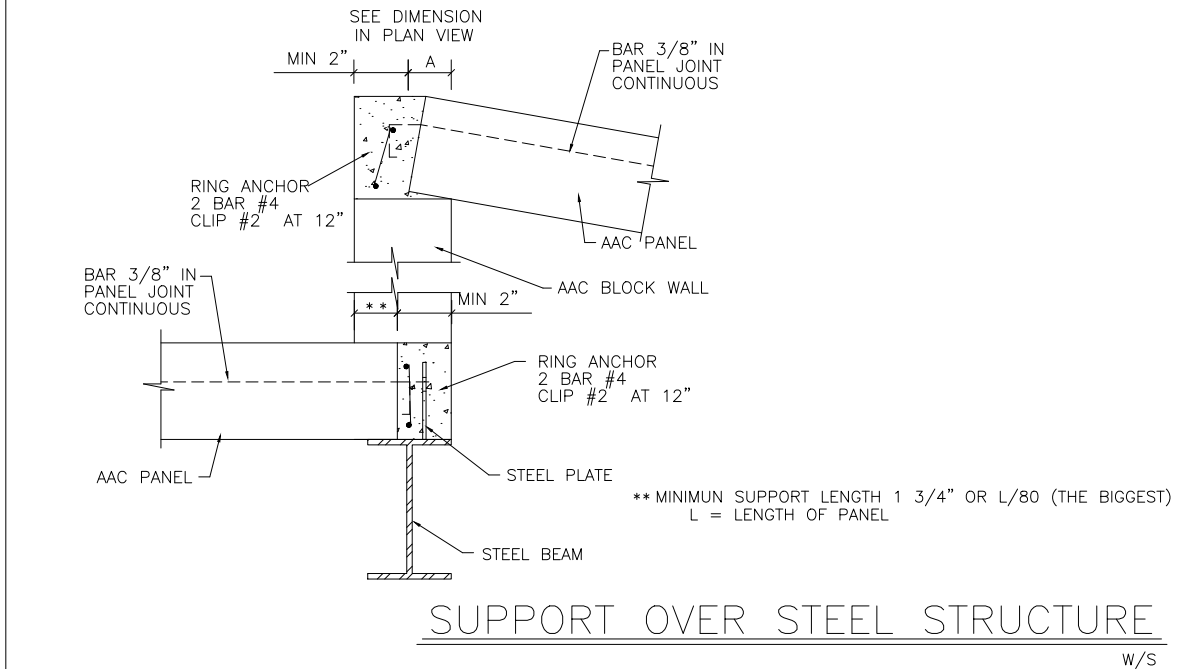
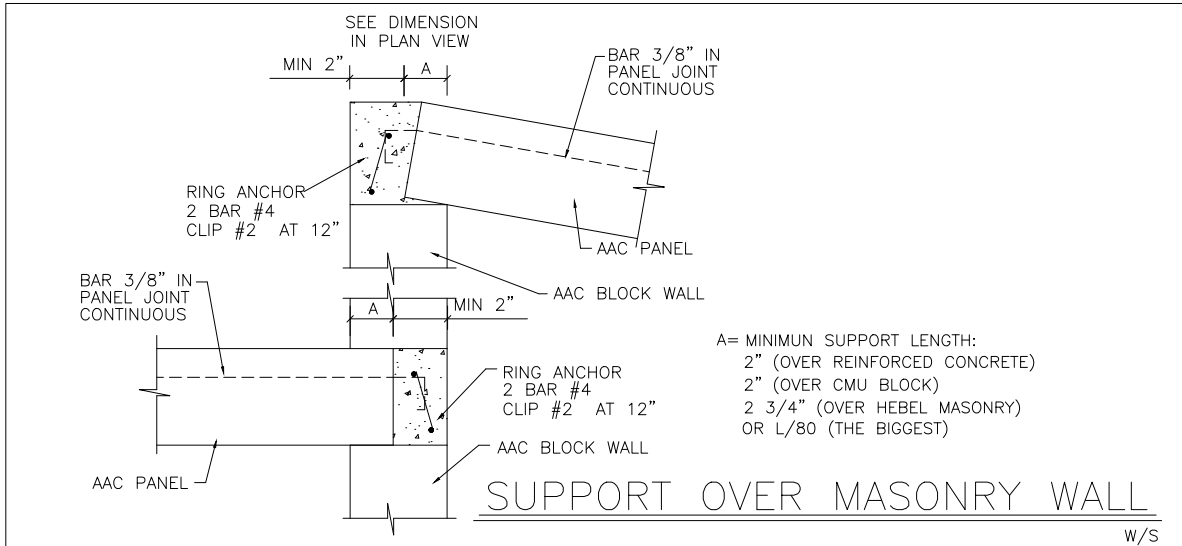
1.- DIMENSIONS INCHES.

Slab Panel Floor and Roof

Technical Sheet SP-13



Panel Support Detail



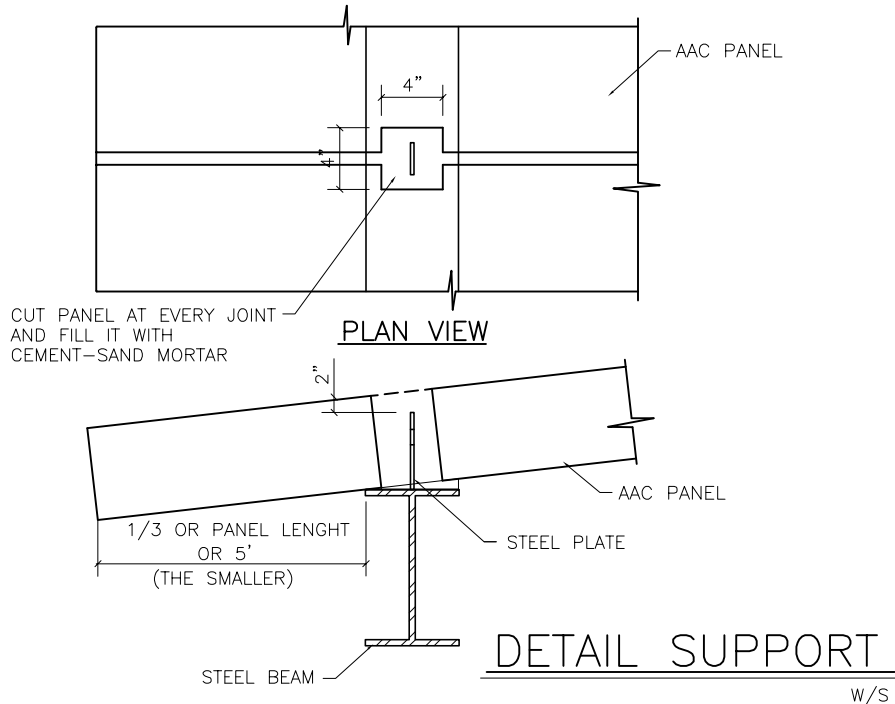
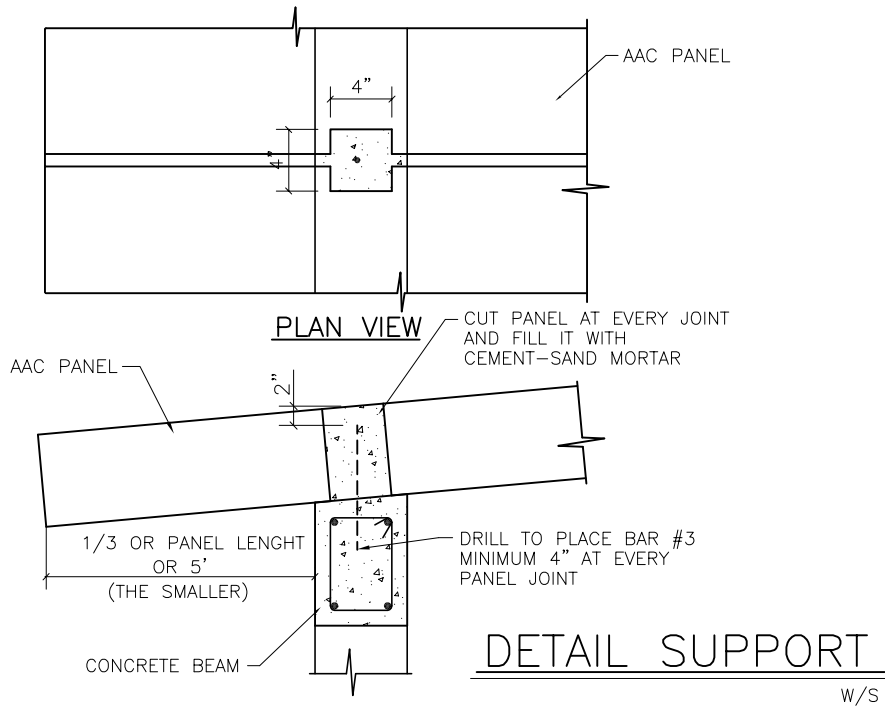
NOTES

- 1.- DIMENSIONS INCHES
- 2.- PANEL THICKNESS AND DIMENSIONS OF REINFORCEMENT, ACCORDING STRUCTURAL DESIGN AND SHOP DRAWINGS.
- 3.- SUPPORT LENGTHS ARE RECOMMENDED.

Slab Panel Floor and Roof

Technical Sheet SP-14

Panel With Cantilever Edge



NOTES

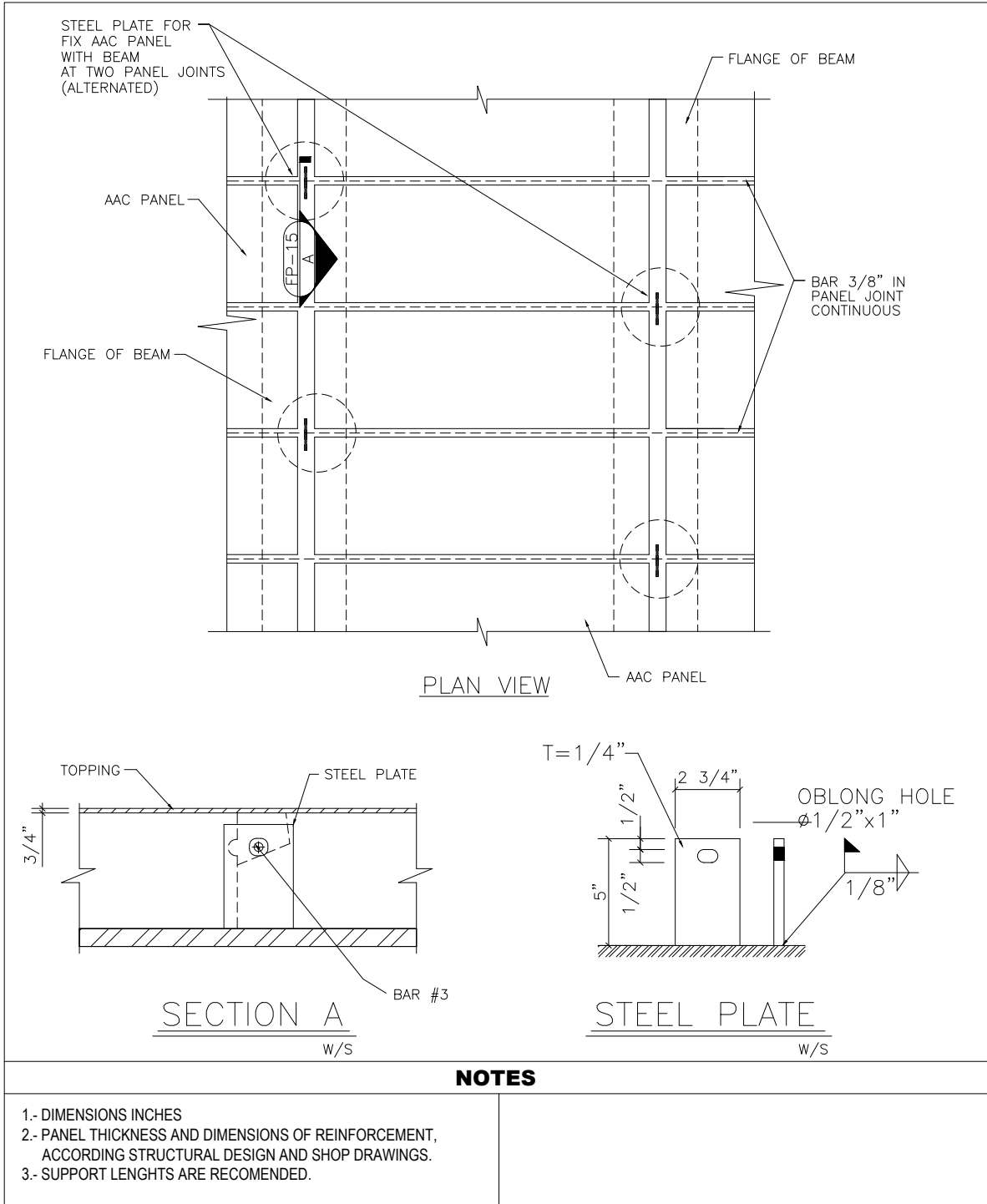
- 1.- DIMENSIONS INCHES
- 2.- PANEL THICKNESS AND DIMENSIONS OF REINFORCEMENT, ACCORDING STRUCTURAL DESIGN AND SHOP DRAWINGS.
- 3.- SUPPORT LENGHTS ARE RECOMENDED.

Slab Panel Floor and Roof

Technical Sheet SP-15



Steel Plate To Panel Connection

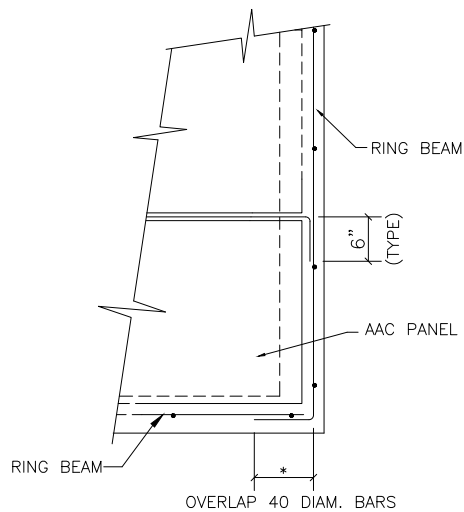


Slab Panel Floor and Roof

Technical Sheet SP-16



Ring Anchor



NOTES

- 1.- DIMENSIONS INCHES
- 2.- PANEL THICKNESS AND DIMENSIONS OF REINFORCEMENT, ACCORDING STRUCTURAL DESIGN AND SHOP DRAWINGS.
- 3.- SUPPORT LENGHTS ARE RECOMENDED.

LITECRETE S.A. DE C.V.

Río Amacuzac #1201 Ote. ■ Col. Valle Oriente ■ San Pedro Garza García, N.L. ■ México ■ 66269

Tel. +52 (81)8399-2464 +52 (81)8399-2462 Fax +52 (81)8399-2420

www.hebel.mx

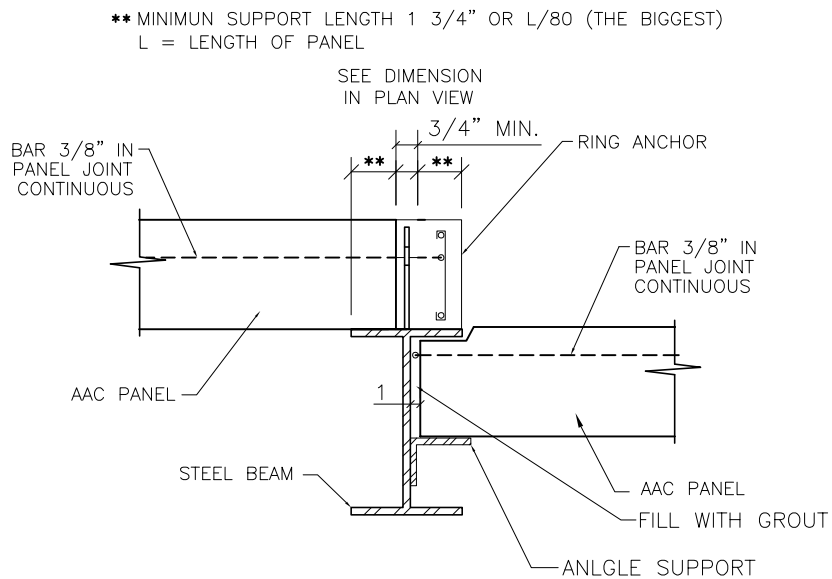
August 2020

Slab Panel Floor and Roof

Technical Sheet SP-17



Panel Support Detail



SUPPORT OVER STEEL STRUCTURE

W/S

NOTES

- 1.- DIMENSIONS INCHES
- 2.- PANEL THICKNESS AND DIMENSIONS OF REINFORCEMENT,
ACCORDING STRUCTURAL DESIGN AND SHOP DRAWINGS.

LITECRETE S.A. DE C.V.

Río Amacuzac #1201 Ote. ■ Col. Valle Oriente ■ San Pedro Garza García, N.L. ■ México ■ 66269

Tel. +52 (81)8399-2464 +52 (81)8399-2462 Fax +52 (81)8399-2420

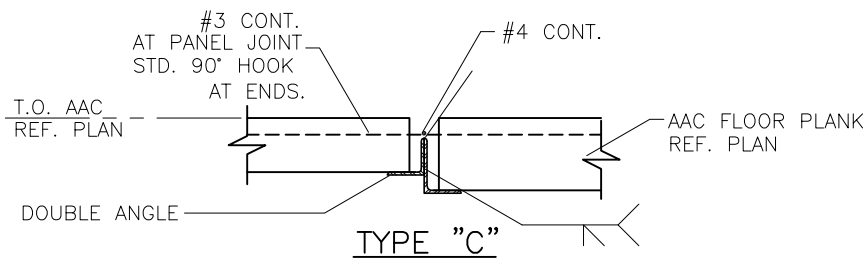
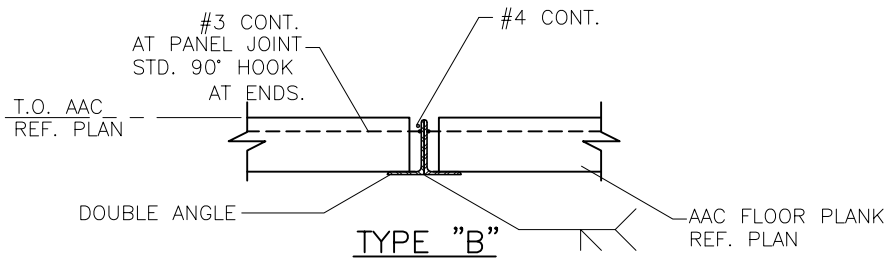
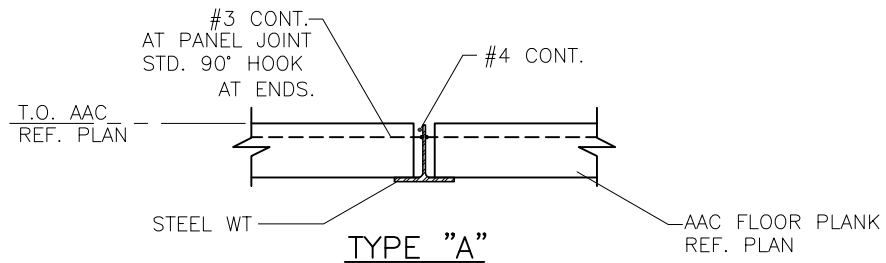
www.hebel.mx

August 2020

Slab Panel Floor and Roof

Technical Sheet SP-18

Panel Support Detail on Steel lintel



CORRIDOR LINTEL DETAIL

W/S

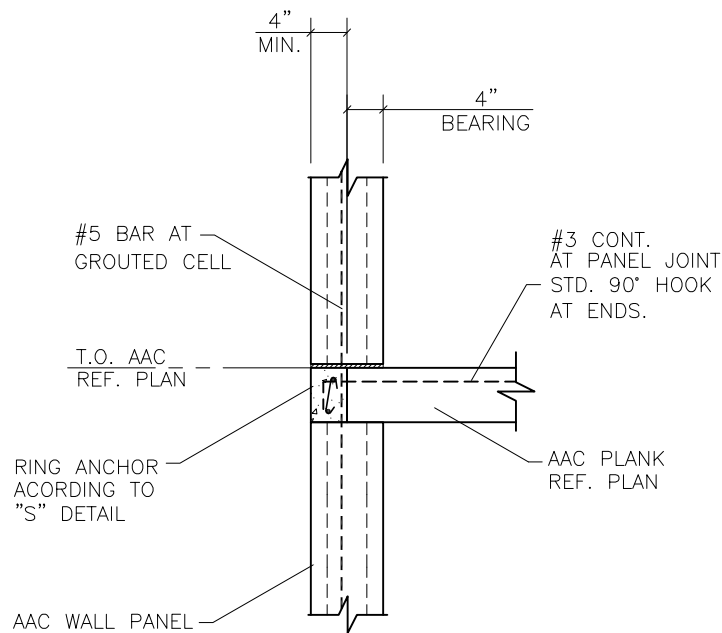
NOTES

- 1.- DIMENSIONS INCHES
- 2.- PANEL THICKNESS AND DIMENSIONS OF REINFORCEMENT, ACCORDING STRUCTURAL DESIGN AND SHOP DRAWINGS.

Slab Panel Floor and Roof

Technical Sheet SP-19

Panel Support Detail on Hebel Wall Panels



FRAMING SECTION

W/S

NOTES

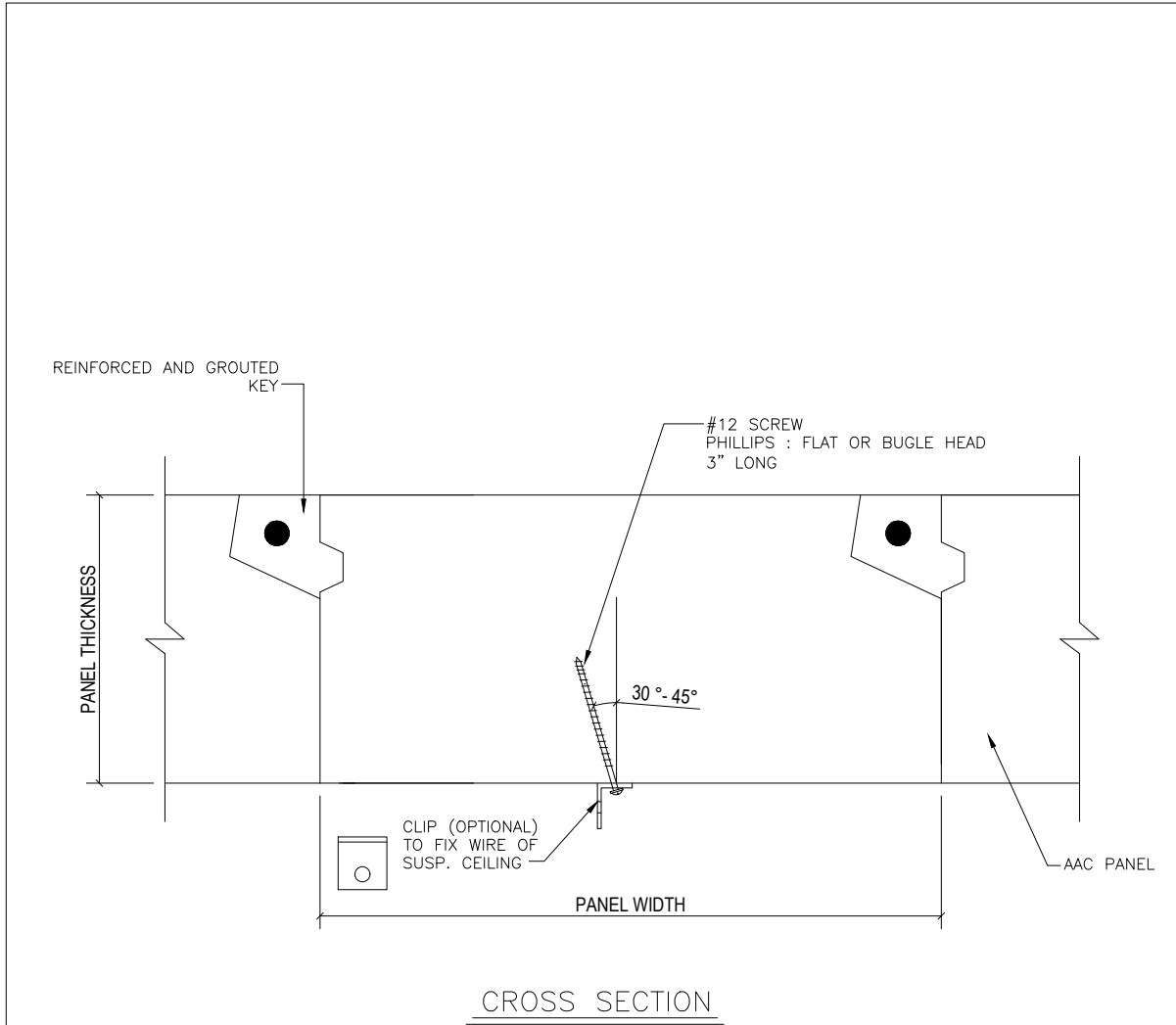
- 1.- DIMENSIONS INCHES
- 2.- PANEL THICKNESS AND DIMENSIONS OF REINFORCEMENT, ACCORDING STRUCTURAL DESIGN AND SHOP DRAWINGS.

Slab Panel Floor and Roof

Technical Sheet SP-20



Connection for Suspended Ceiling



NOTES

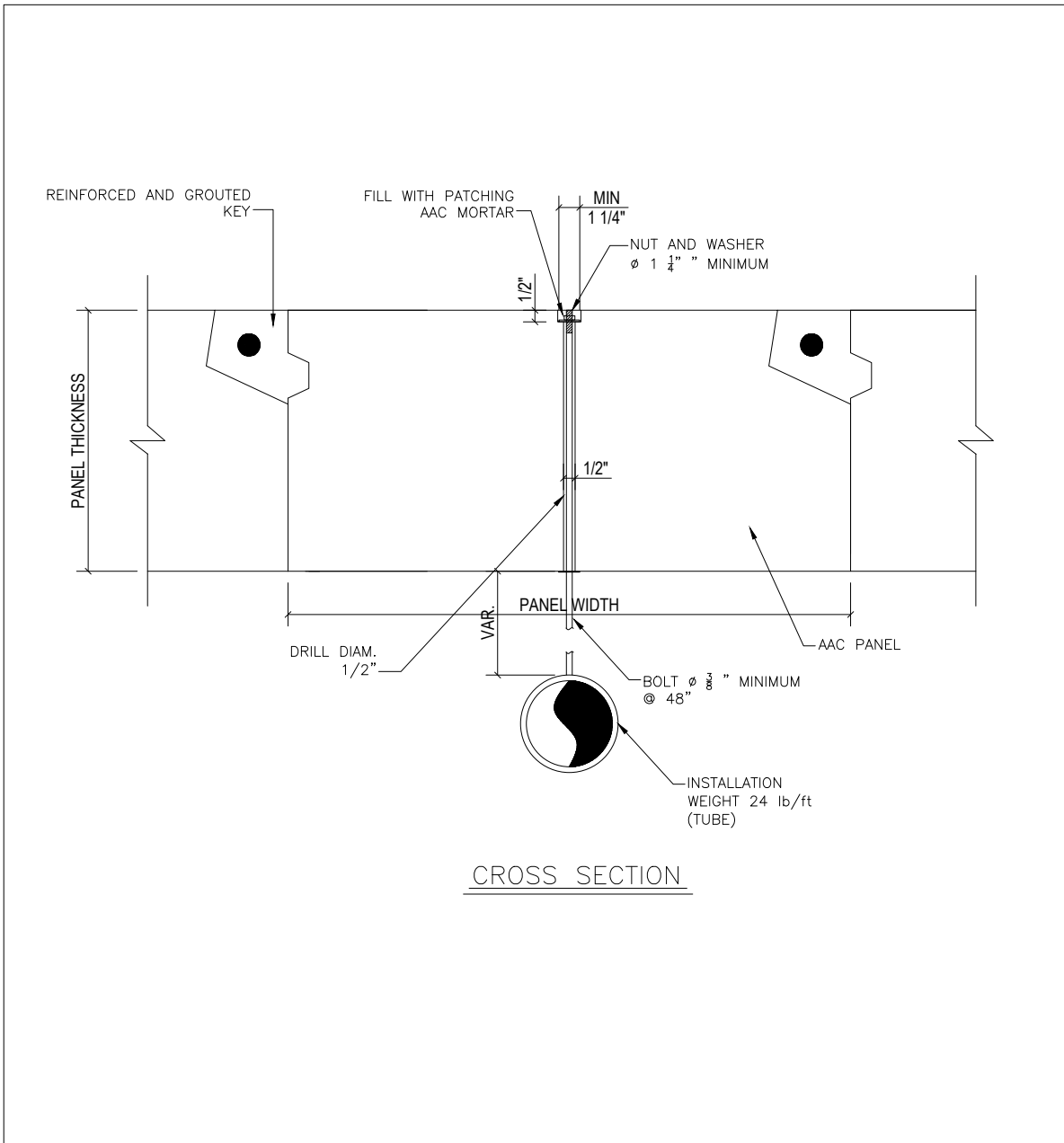
- | | |
|--|--|
| 1.- DIMENSIONS INCHES | 3.- THE ALLOWABLE TENSION LOAD (PULL OUT) OF SCREW IS 30 LBS. |
| 2.- ALL HEBEL SLAB PANEL SHOULD BE DESIGNED IN ACCORDANCE TO THE DESIGN METHODOLOGY PROVIDED BY ACI-523R09 | 4.- THE SPACING OF SCREW SHOULD BE CHECKED BY CONTRACTOR IN ACCORDANCE TO THE SELFWEIGHT OF SUSPENDED CEILING AND ITS INSTALLATIONS. |

Slab Panel Floor and Roof

Technical Sheet SP-21



Bolt Connection for Suspended Installation



NOTES

- 1.- DIMENSIONS INCHES
- 2.- ALL HEBEL SLAB PANEL SHOULD BE DESIGNED IN ACCORDANCE TO THE DESIGN METHODOLOGY PROVIDED BY ACI-523R09

LITECRETE S.A. DE C.V.

Río Amacuzac #1201 Ote. ■ Col. Valle Oriente ■ San Pedro Garza García, N.L. ■ México ■ 66269

Tel. +52 (81)8399-2464 +52 (81)8399-2462 Fax +52 (81)8399-2420

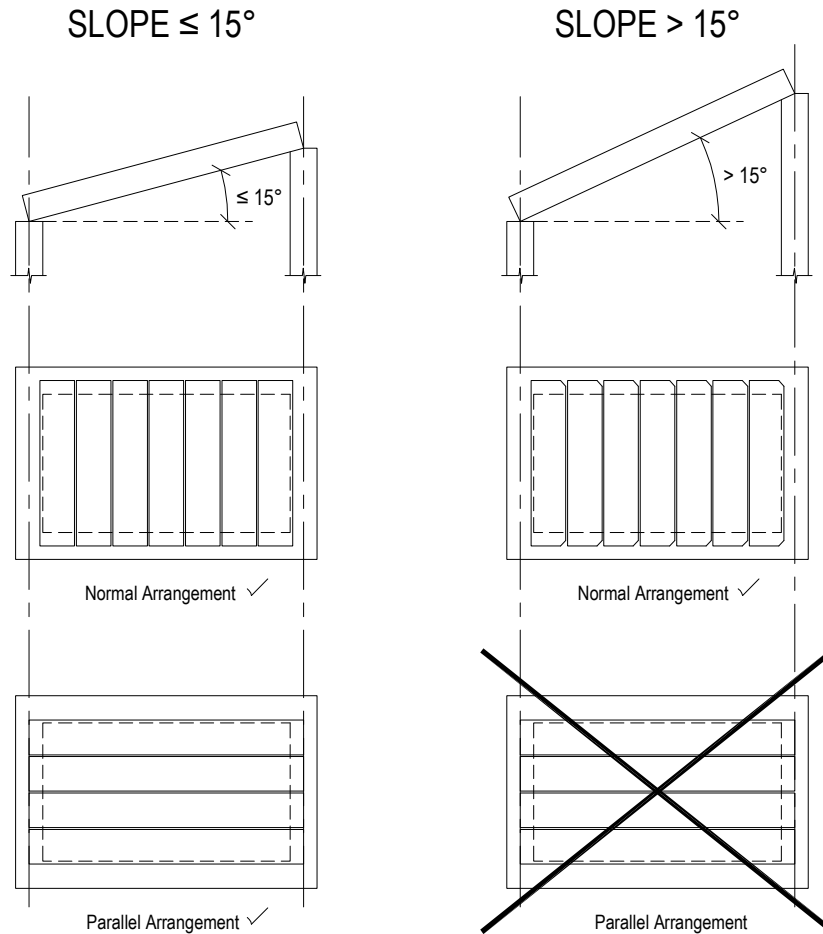
www.hebel.mx

August 2020

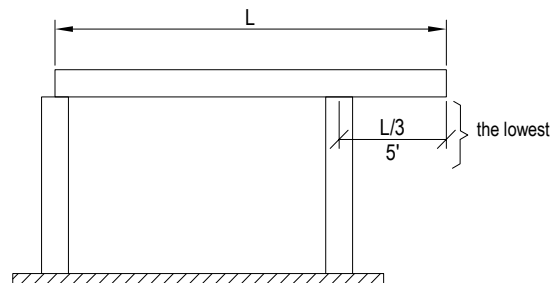
Slab Panel Floor and Roof

Technical Sheet SP-22

SLAB WITH SLOPE



The panels with cantiliver will not support load bearing walls at end of cantiliver.
The cantiliver length will not be more than $L/3$ neither 5'.



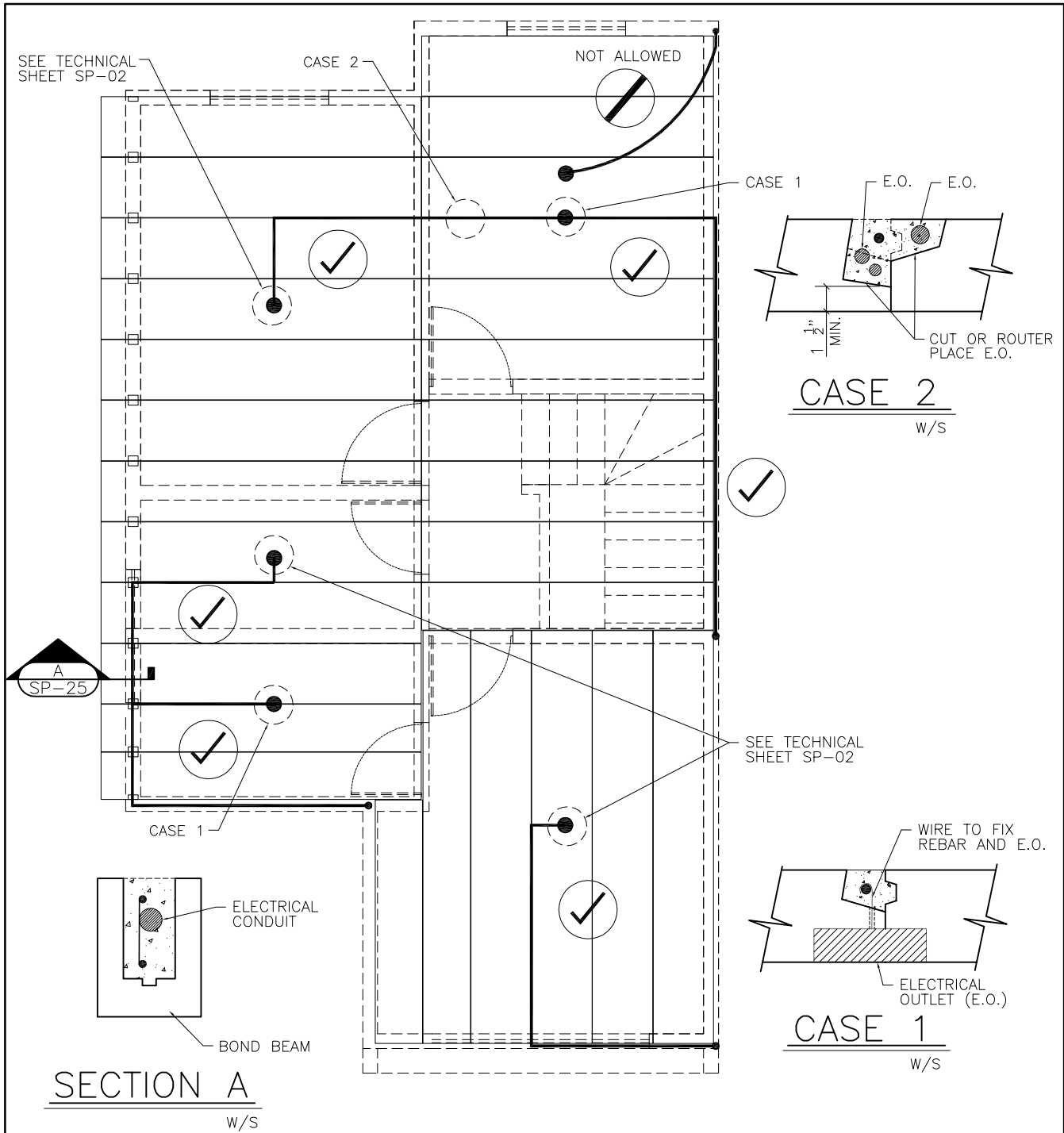
NOTES

- 1.- DIMENSIONS INCHES
- 2.- PANEL THICKNESS AND DIMENSIONS OF REINFORCEMENT, ACCORDING STRUCTURAL DESIGN AND SHOP DRAWINGS.

Slab Panel Floor and Roof

Technical Sheet SP-23

Conduits Layout Recommendation



NOTES

- 1.- DIMENSIONS INCHES
- 2.- PANEL THICKNESS AND DIMENSIONS OF REINFORCEMENT, ACCORDING STRUCTURAL DESIGN AND SHOP DRAWINGS.
- 3.- DIMENSIONS OF CONDUITS IN ACCORDANCE TO ELECTRICAL DESIGN.

LITECRETE S.A. DE C.V.

Río Amacuzac #1201 Ote. ■ Col. Valle Oriente ■ San Pedro Garza García, N.L. ■ México ■ 66269

Tel. +52 (81)8399-2464 +52 (81)8399-2462 Fax +52 (81)8399-2420

www.hebel.mx

August 2020