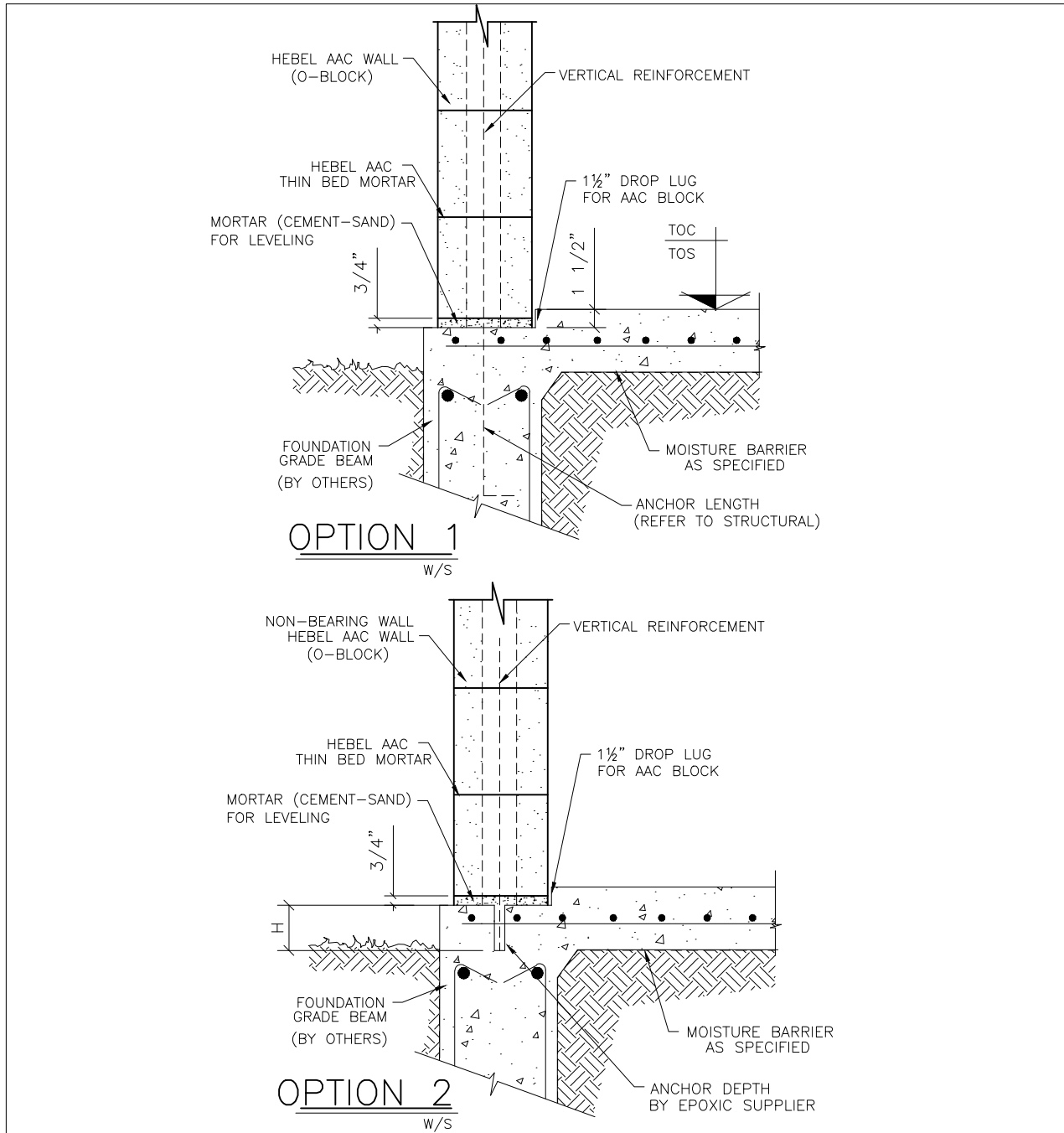


Hebel AAC Wall Start and Leveling-Drop Lug



NOTES

- 1.-NOT SCALE
- 2.-DIMENSIONS INCHES
- 3.-MASONRY THICKNESS AND DIMENSIONS OF REINFORCEMENT, ACCORDING TO STRUCTURAL DESIGN AND SHOP DRAWINGS

XELLA MEXICANA, S.A. DE C.V.

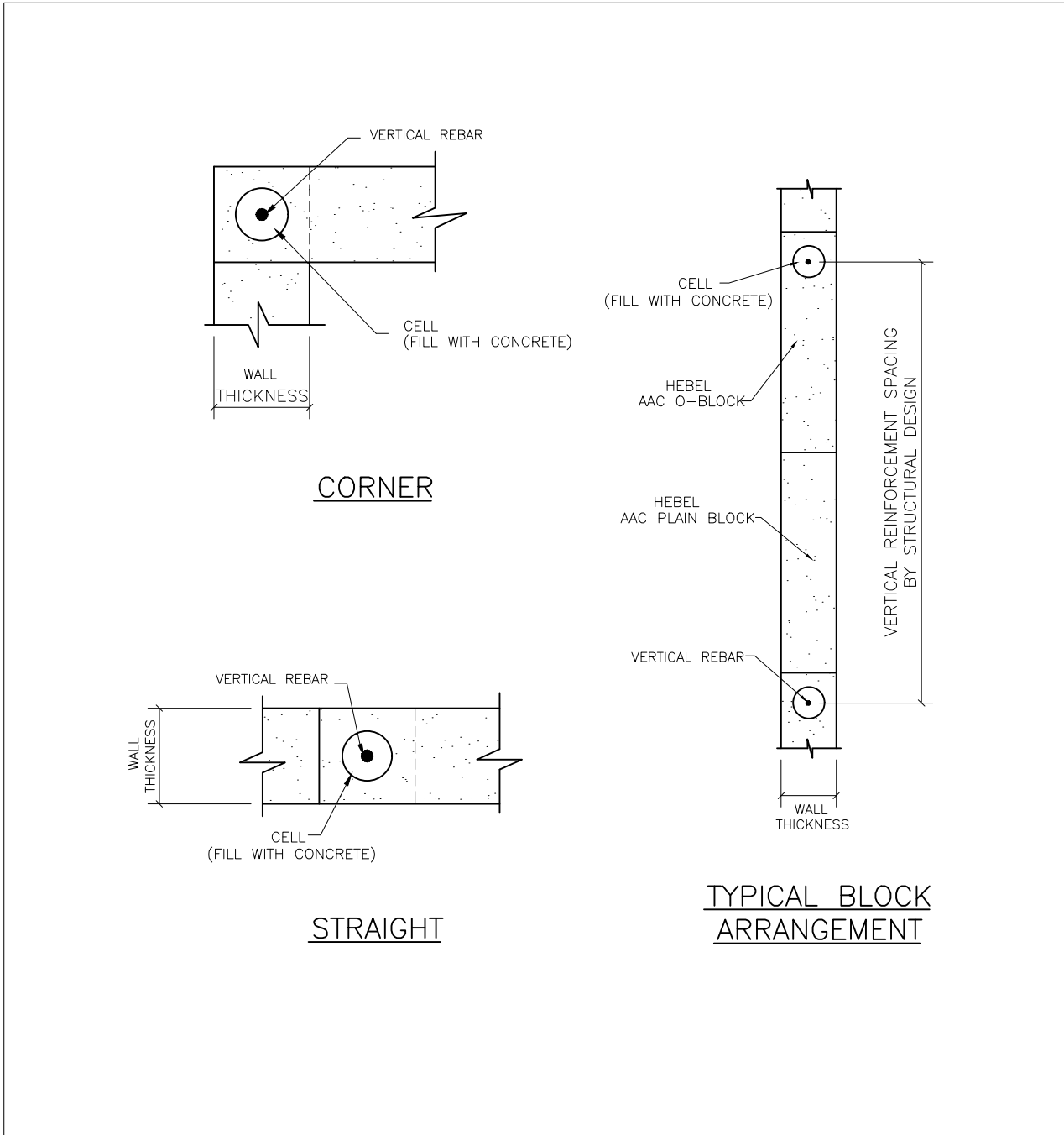
Río Amacuzac #1201 Ote. ■ Col. Valle Oriente ■ San Pedro Garza García, N.L. ■ México ■ 66269

Tel. +52 (81)8399-2464 +52 (81)8399-2462 Fax +52 (81)8399-2420

www.hebel.mx

August 2020

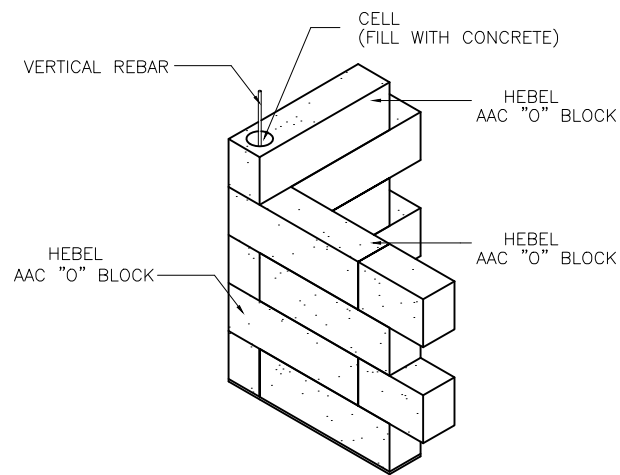
"O"- Block Details



NOTES

- 1.-NOT SCALE
- 2.-DIMENSIONS INCHES
- 3.-MASONRY THICKNESS AND DIMENSIONS OF REINFORCEMENT, ACCORDING TO STRUCTURAL DESIGN AND SHOP DRAWINGS

Corner Block Detail



ISOMETRIC VIEW

NOTES

- 1.-NOT SCALE
- 2.-DIMENSIONS INCHES
- 3.-MASONRY THICKNESS AND DIMENSIONS OF REINFORCEMENT, ACCORDING TO STRUCTURAL DESIGN AND SHOP DRAWINGS

XELLA MEXICANA, S.A. DE C.V.

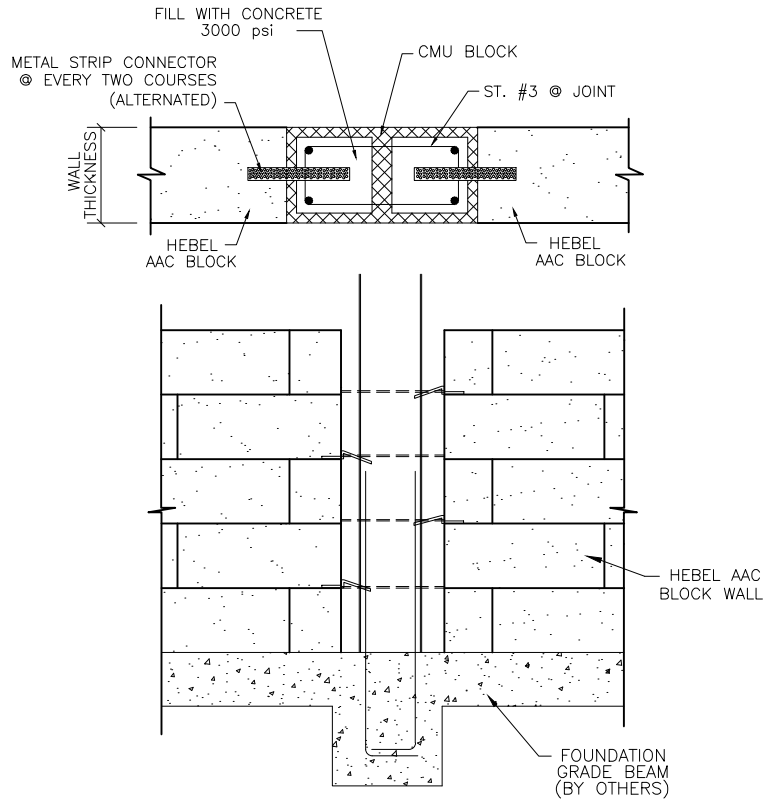
Rio Amacuzac #1201 Ote. ■ Col. Valle Oriente ■ San Pedro Garza García, N.L. ■ México ■ 66269

Tel. +52 (81)8399-2464 +52 (81)8399-2462 Fax +52 (81)8399-2420

www.hebel.mx

August 2020

AAC Wall Connection to CMU Column



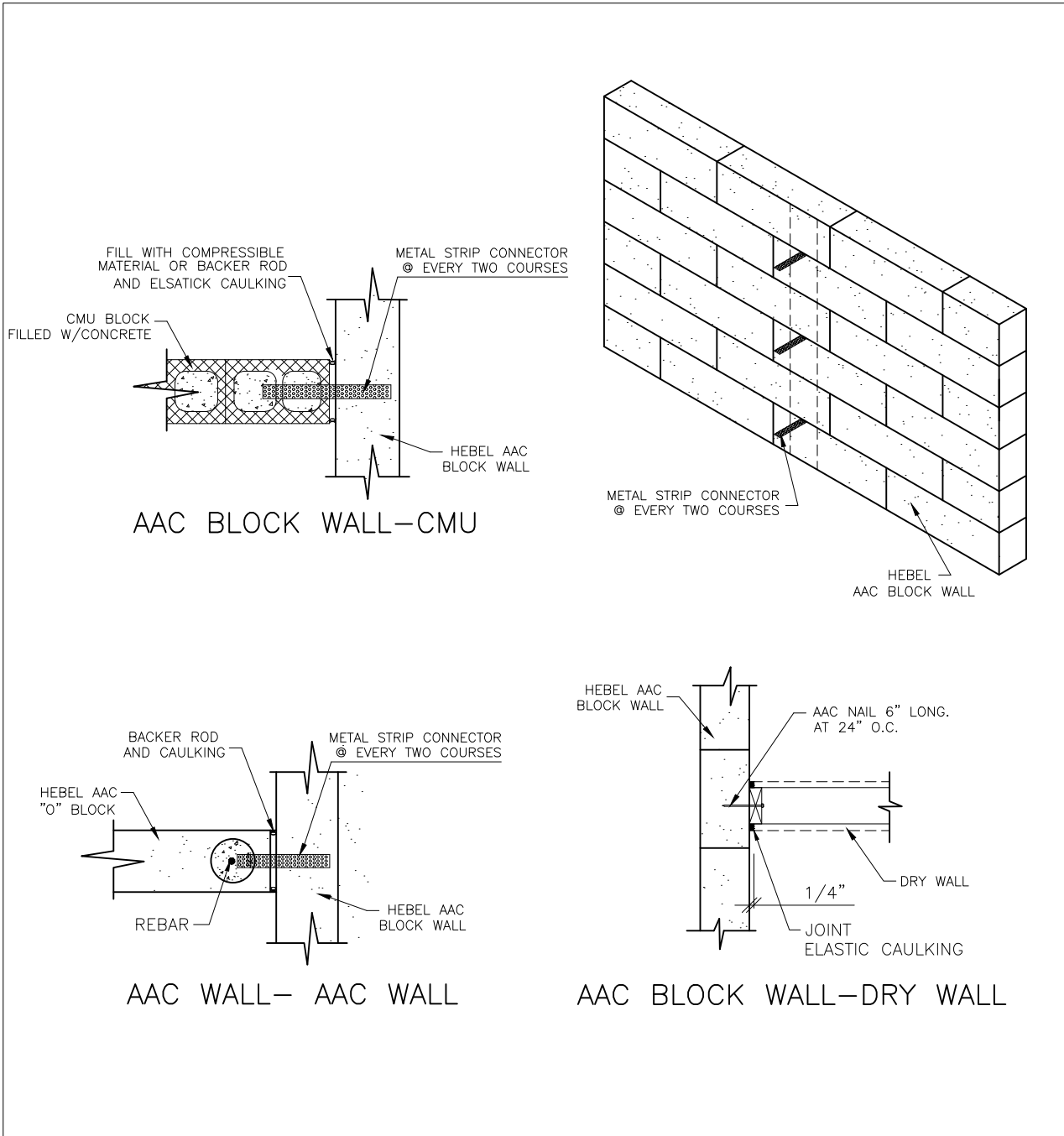
CONSTRUCTIVE PROCEDURE

- 1.- LEAVE COLUMN BARS EMBEDDED INTO THE FOUNDATION.
- 2.- PLACE AND LEVELING OF FIRST BLOCK COURSE.
- 3.- PLACE OF NEXT BLOCK COURSES. SETTING CONNECTOR SHEETS ALTERNATED.
- 4.- PLACING OF CONCRETE ON CMU CELLS.

NOTES

- 1.-NOT SCALE
- 2.-DIMENSIONS INCHES
- 3.-MASONRY THICKNESS AND DIMENSIONS OF REINFORCEMENT, ACCORDING TO STRUCTURAL DESIGN AND SHOP DRAWINGS

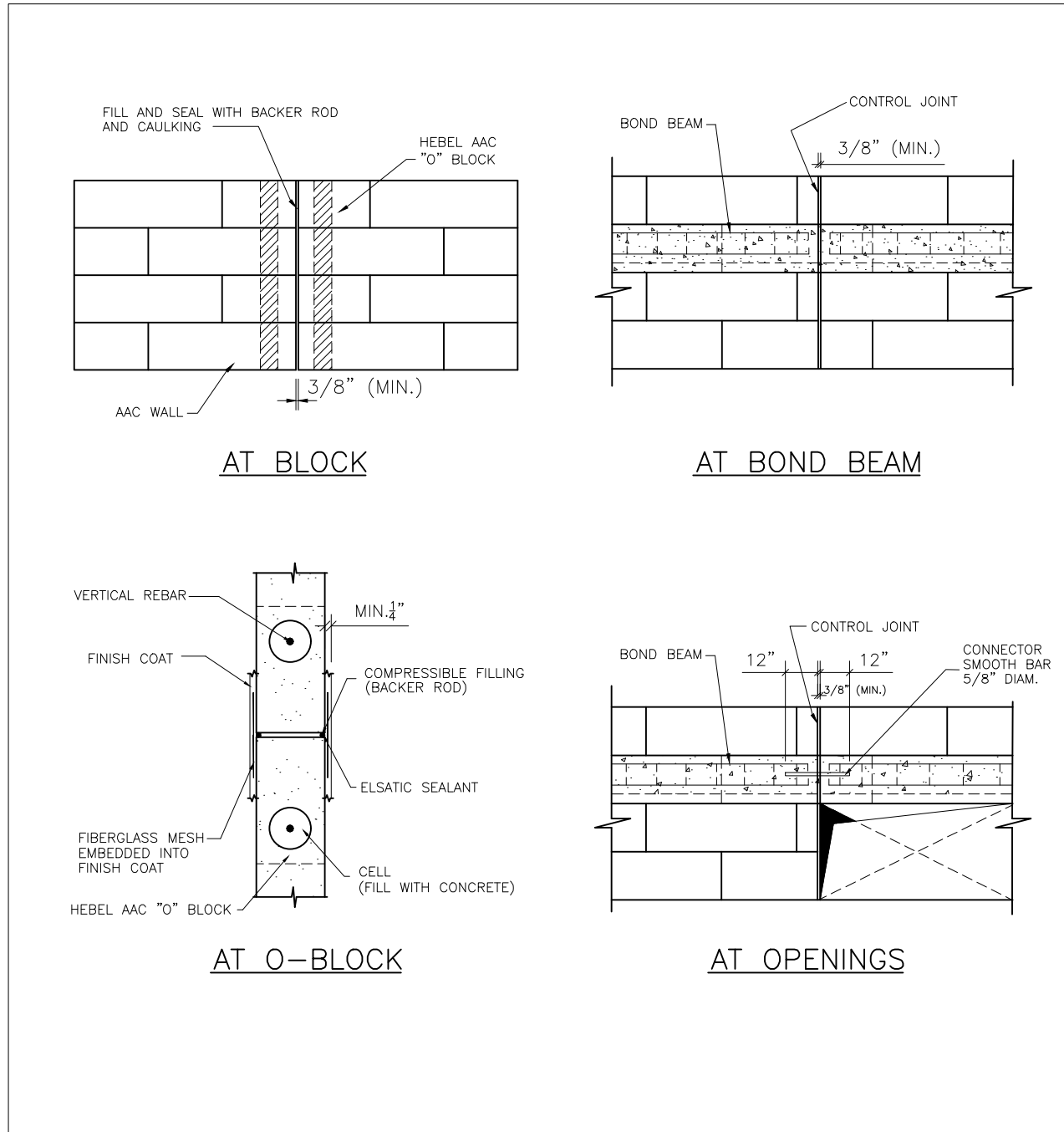
AAC Wall Connection (Metal Strip Ties)



NOTES

- 1.-NOT SCALE
- 2.-DIMENSIONS INCHES
- 3.-MASONRY THICKNESS AND DIMENSIONS OF REINFORCEMENT, ACCORDING TO STRUCTURAL DESIGN AND SHOP DRAWINGS

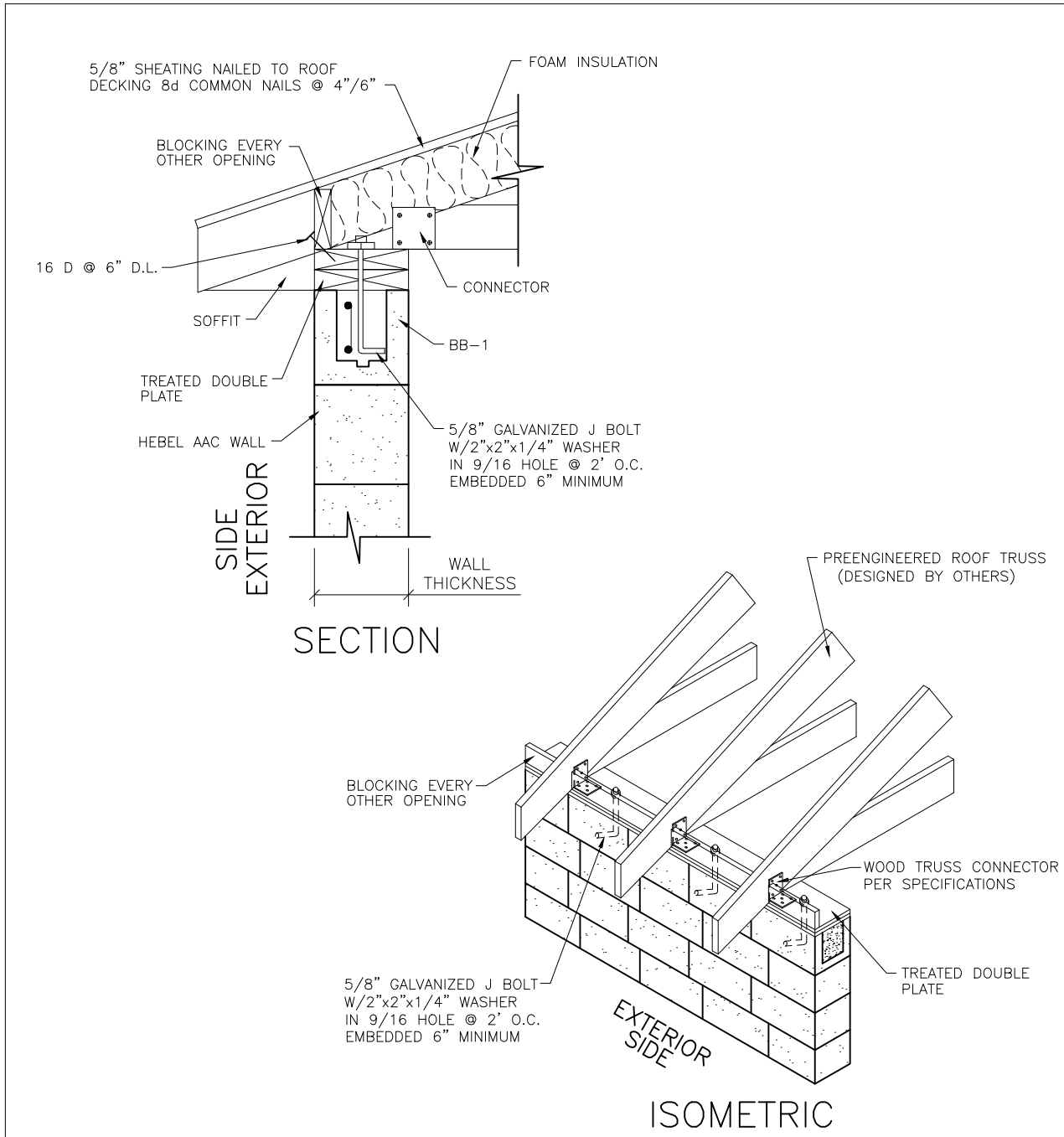
Expansion/Control Joints



NOTES

- 1.-NOT SCALE
- 2.-DIMENSIONS INCHES
- 3.-MASONRY THICKNESS AND DIMENSIONS OF REINFORCEMENT, ACCORDING TO STRUCTURAL DESIGN.
- 4.-CONTROL JOINT SPACING MAX. 18 ft OR UNLESS NOTED OTHERWISE ON AAC SHOP DRAWINGS.

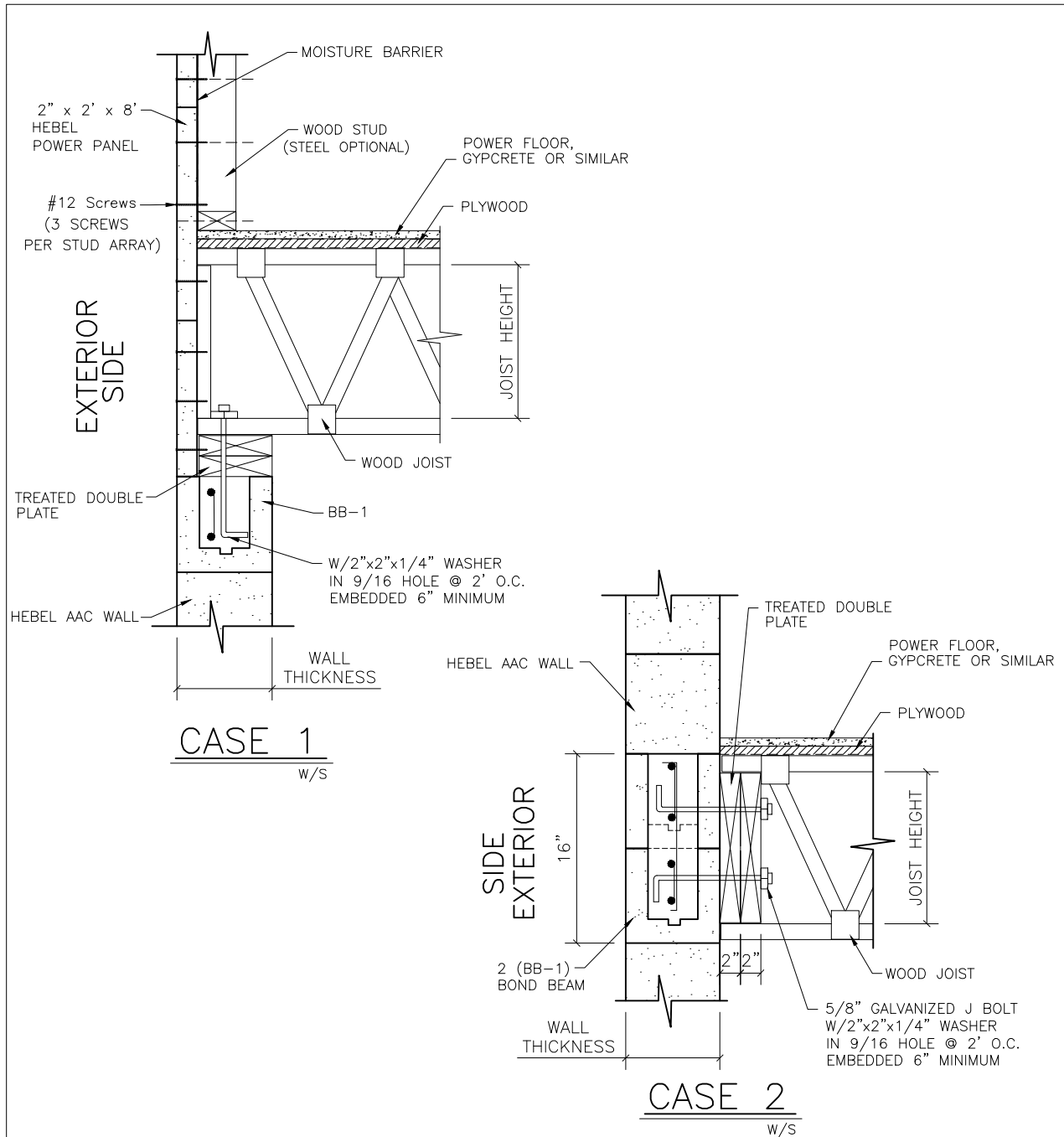
Roof Wood Truss Connection Detail Typ. to AAC Masonry Wall



NOTES

- 1.-NOT SCALE
- 2.-DIMENSIONS INCHES
- 3.-MASONRY THICKNESS AND DIMENSIONS OF REINFORCEMENT, ACCORDING TO STRUCTURAL DESIGN AND SHOP DRAWINGS

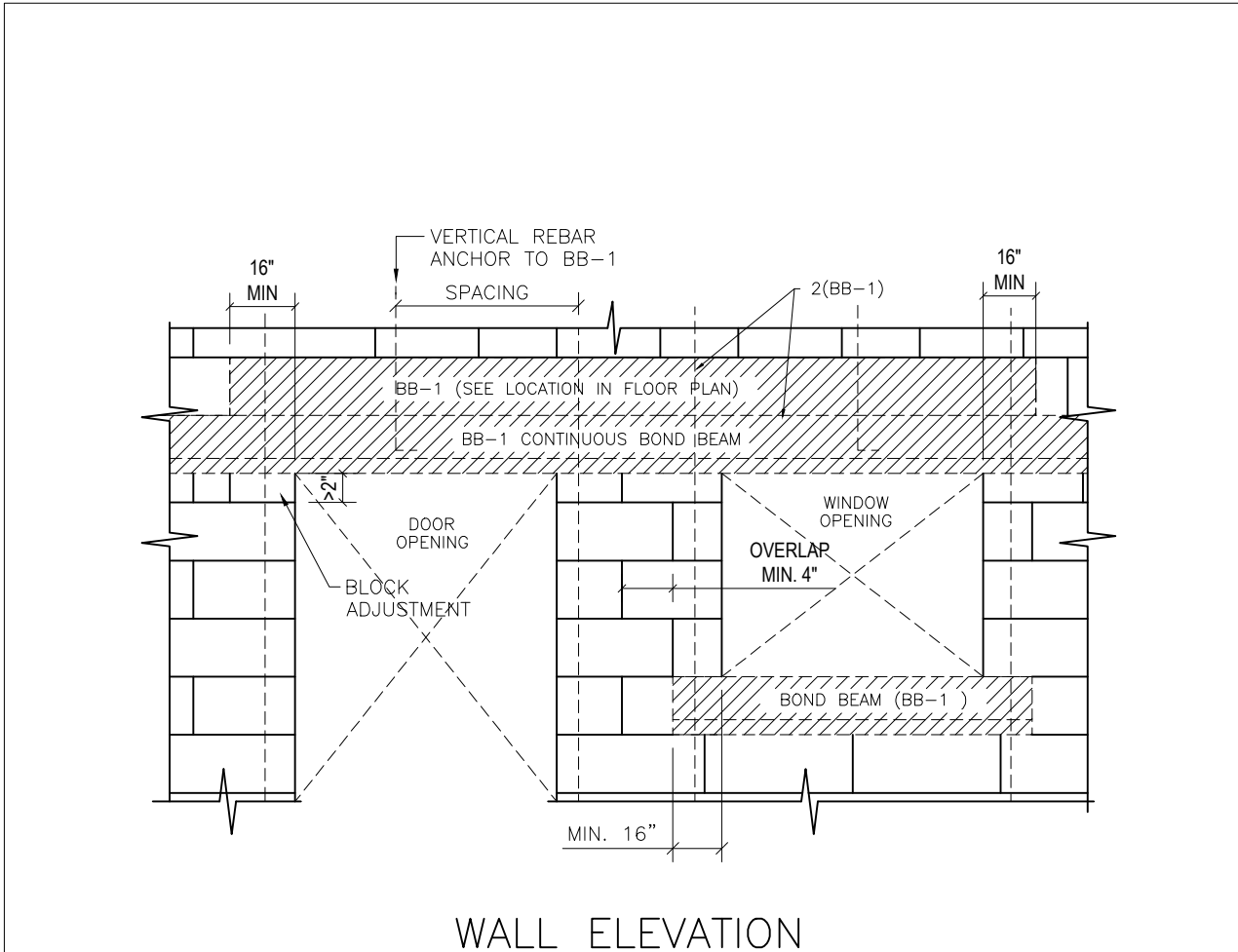
Interfloor Framing Connection Detail Typ. Block-Block



NOTES

- 1.-NOT SCALE
- 2.-DIMENSIONS INCHES
- 3.-MASONRY THICKNESS AND DIMENSIONS OF REINFORCEMENT, ACCORDING TO STRUCTURAL DESIGN AND SHOP DRAWINGS

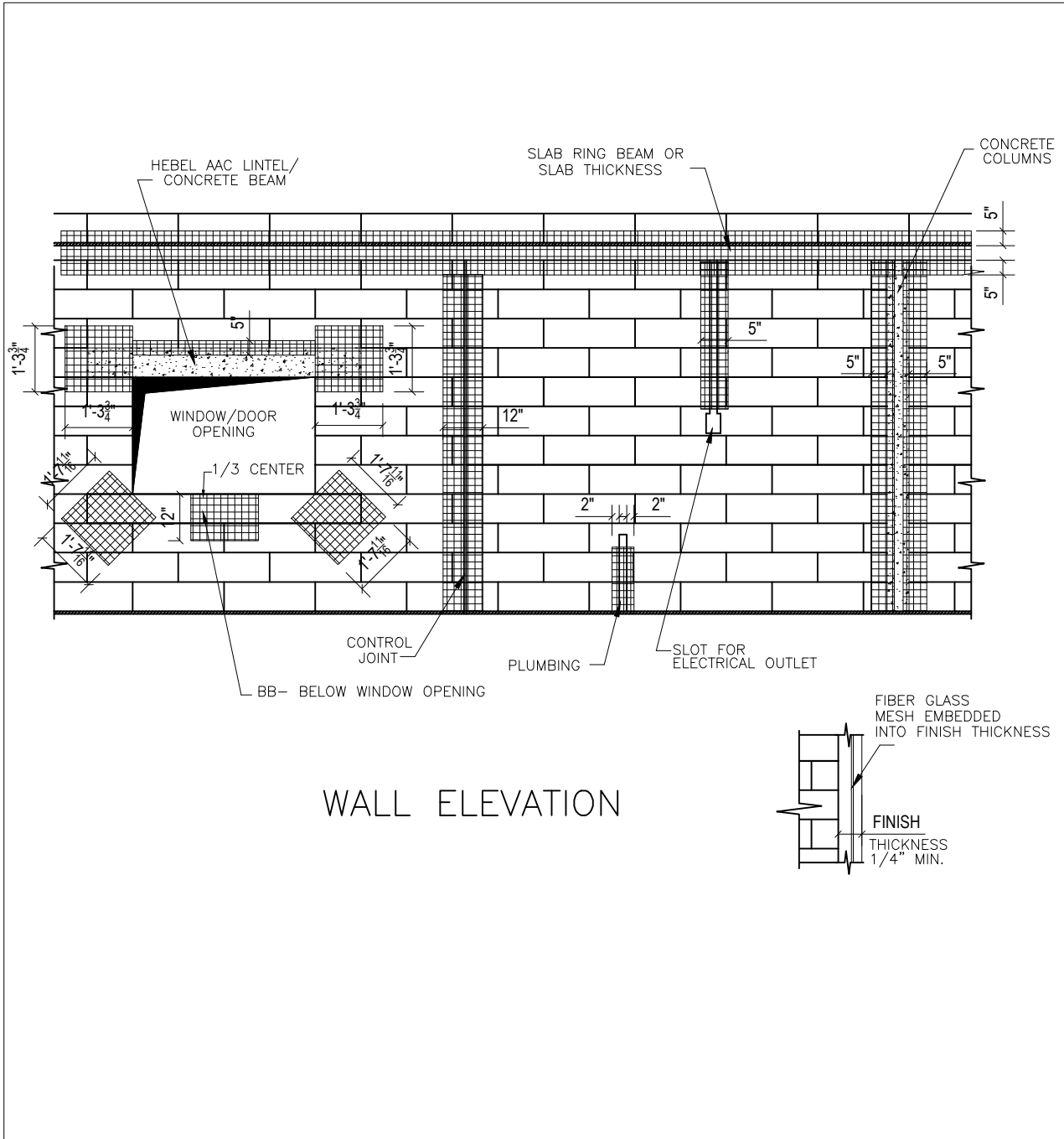
Bond Beam/Header Typical Support Detail



NOTES

- 1.-NOT SCALE
- 2.-DIMENSIONS INCHES
- 3.-MASONRY THICKNESS AND DIMENSIONS OF REINFORCEMENT, ACCORDING TO STRUCTURAL DESIGN AND SHOP DRAWINGS

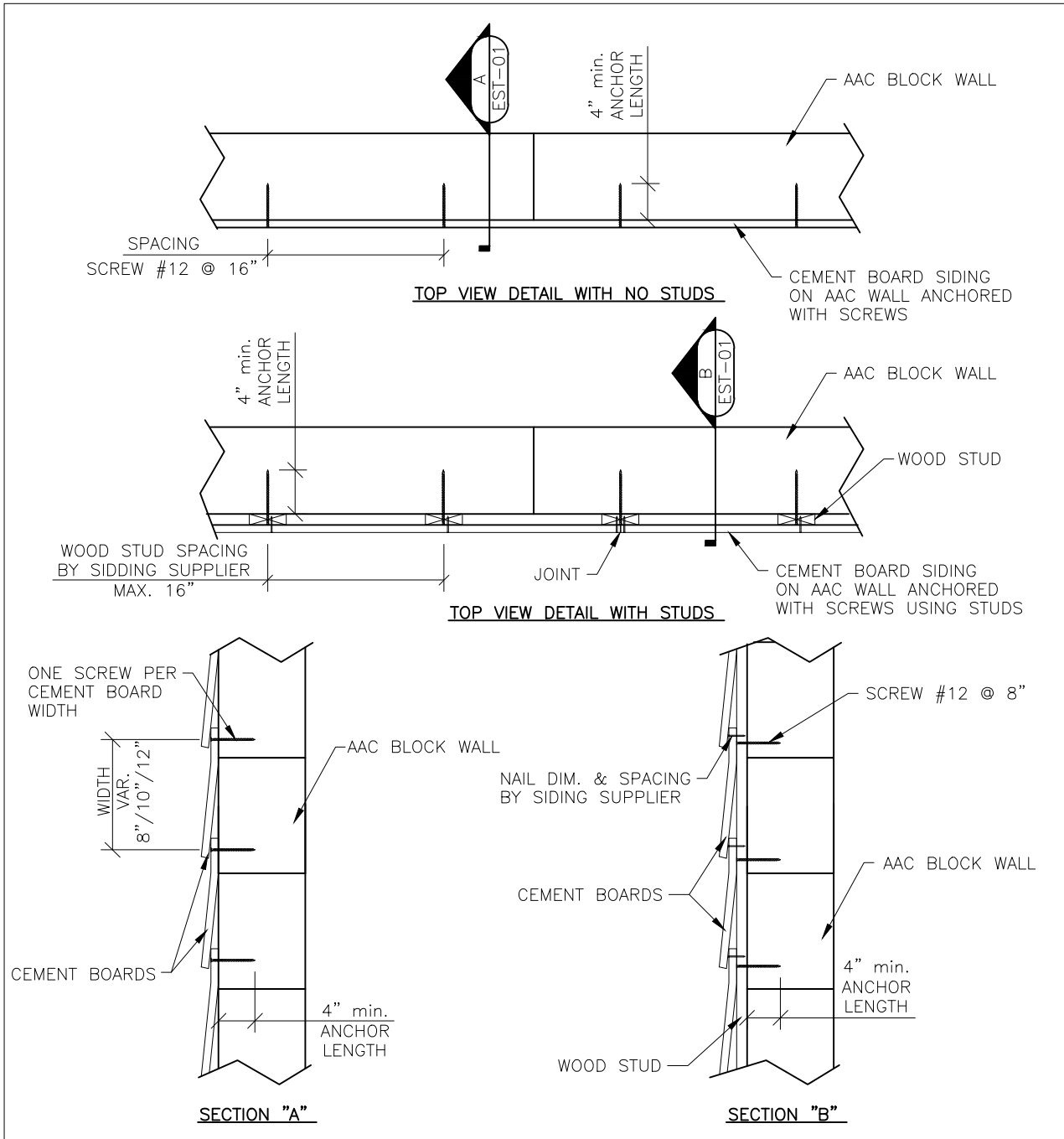
Fiberglass Mesh on Hebel AAC Walls



NOTES

- 1.-NOT SCALE
- 2.-DIMENSIONS INCHES
- 3.-MASONRY THICKNESS AND DIMENSIONS OF REINFORCEMENT, ACCORDING TO STRUCTURAL DESIGN AND SHOP DRAWINGS

Cement Board as siding on AAC Wall

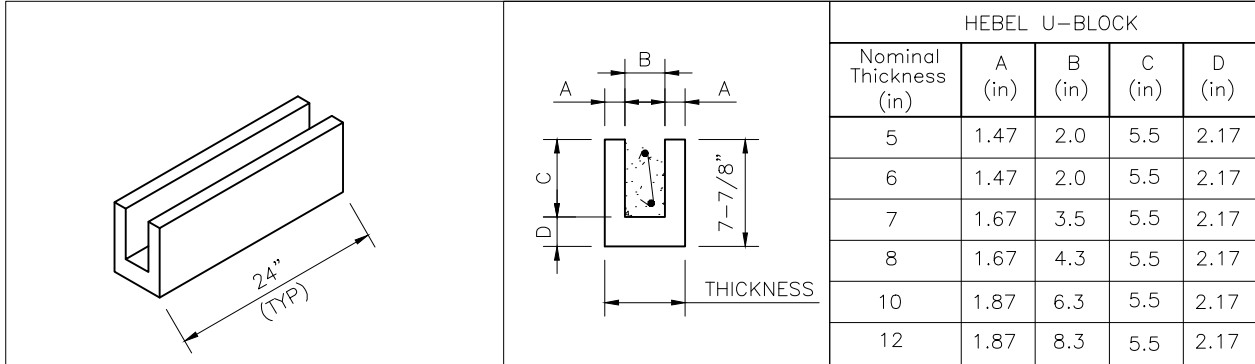


NOTES

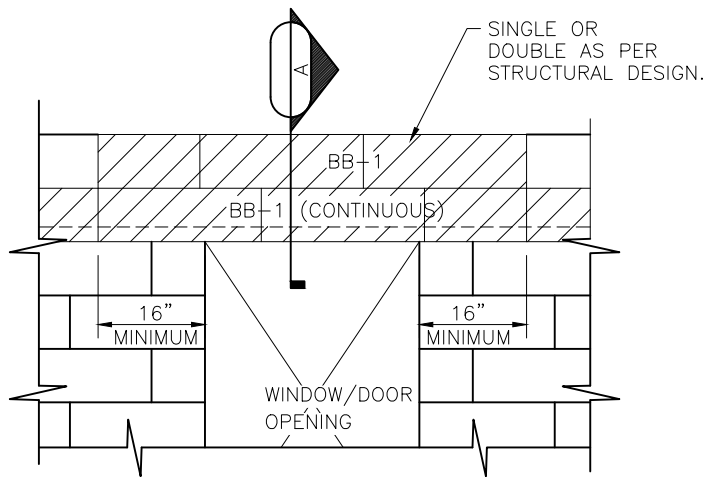
- 1.-NOT SCALE
- 2.-DIMENSIONS INCHES
- 3.-SEE CEMENT BOARD TECHNICAL SHEET PROVIDED BY SUPPLIER (DIMENSIONS)
- 4.- USE SCREW TYPE DESKFAST #12 AND MINIMUM ANCHOR LENGTH 4"

- 5.- MAXIMUM PULL OUT PER #12 SCREW IS 60 lb (AAC6) AND 35 lb (AAC4).

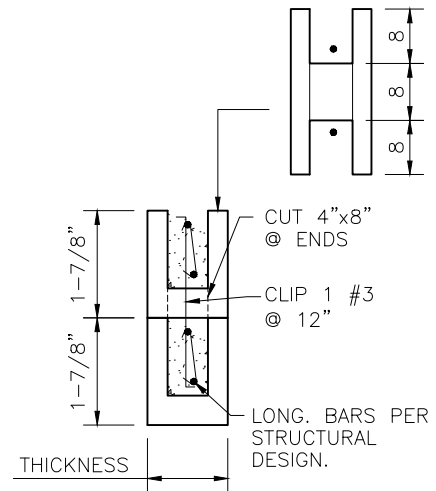
AAC BOND BEAM



ISOMETRIC VIEW



WALL ELEVATION

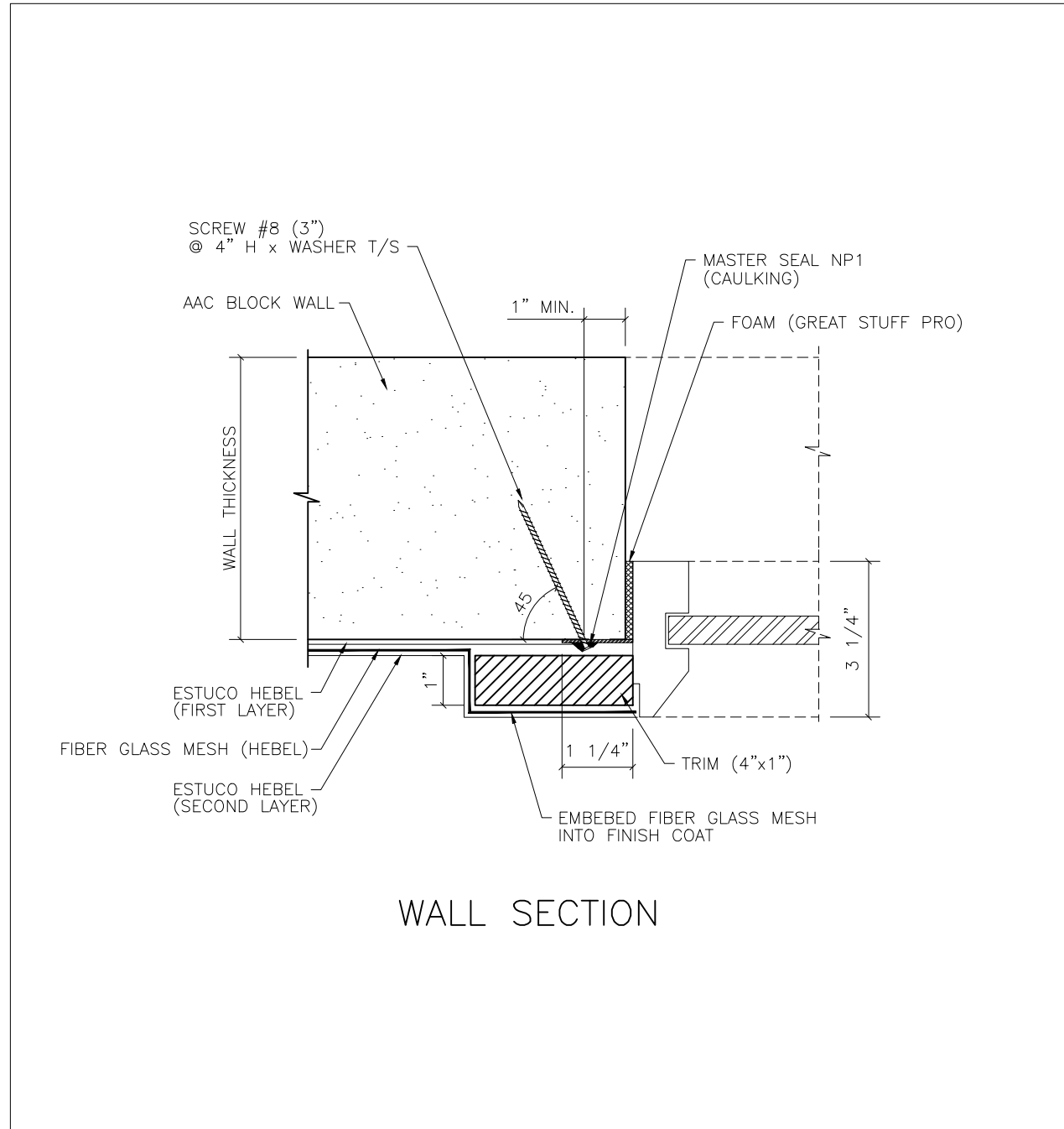


SECTION A

NOTES

- 1.-NOT TO SCALE
- 2.-DIMENSIONS IN INCHES
- 3.-MASONRY THICKNESS AND DISTRIBUTION REINFORCEMENT PER STRUCTURAL DESIGN.
- 4.-AAC BLOCKS ARE PRODUCED IN ACCORDANCE WITH ASTM C 1693

Window Connection in Hebel AAC Wall

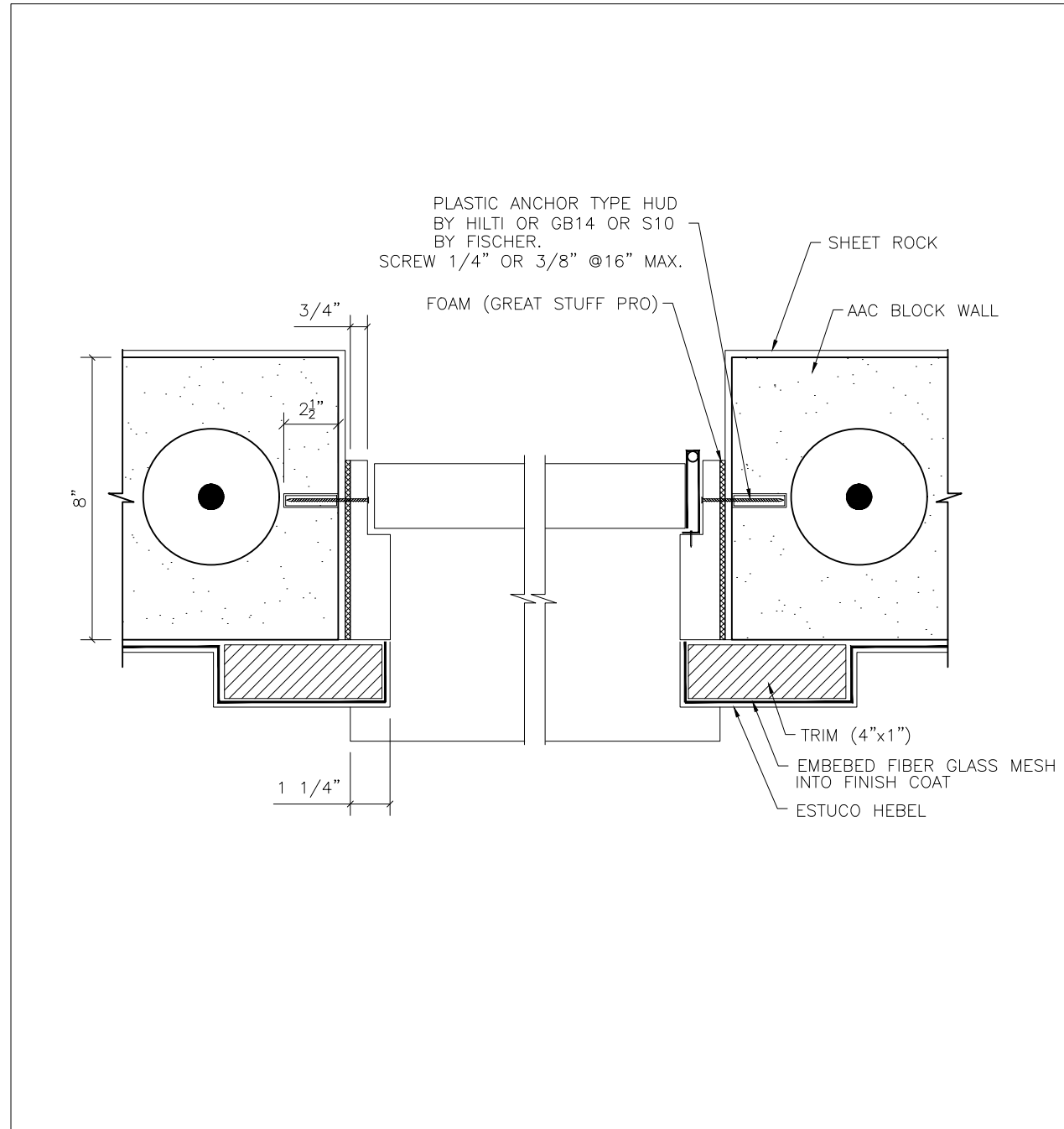


WALL SECTION

NOTES

- 1.-NOT SCALE
- 2.-DIMENSIONS INCHES
- 3.-THIS DETAIL CAN BE ADJUSTED IN ACCORDANCE TO WINDOW SIZE OR SPECIFIC WIND LOAD CONDICTIONS.

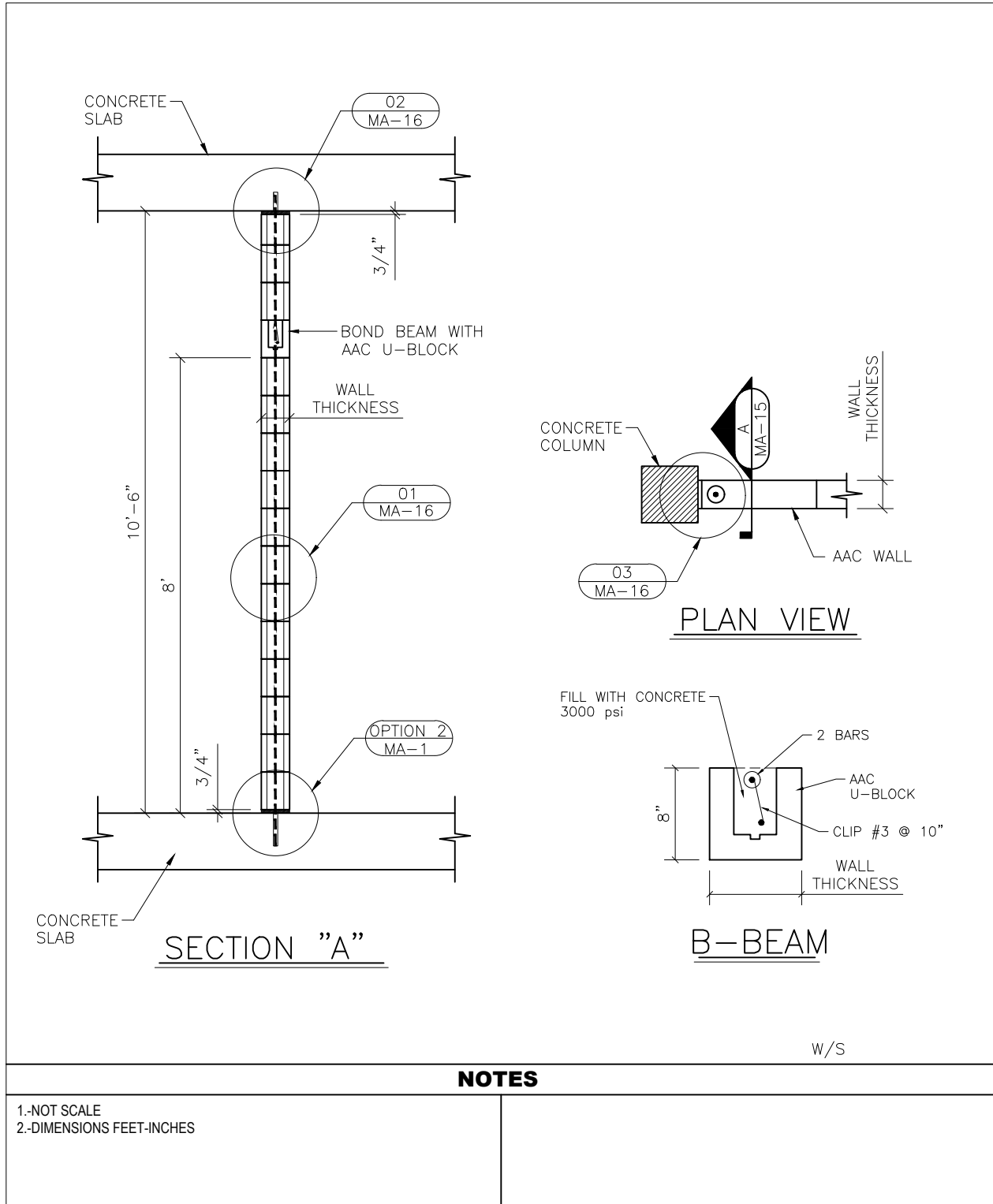
Main Door Frame Connection in Hebel AAC Wall



NOTES

- 1.-NOT SCALE
- 2.-DIMENSIONS INCHES
- 3.-THIS DETAIL CAN BE ADJUSTED IN ACCORDANCE TO WINDOW SIZE OR SPECIFIC WIND LOAD CONDITIONS.

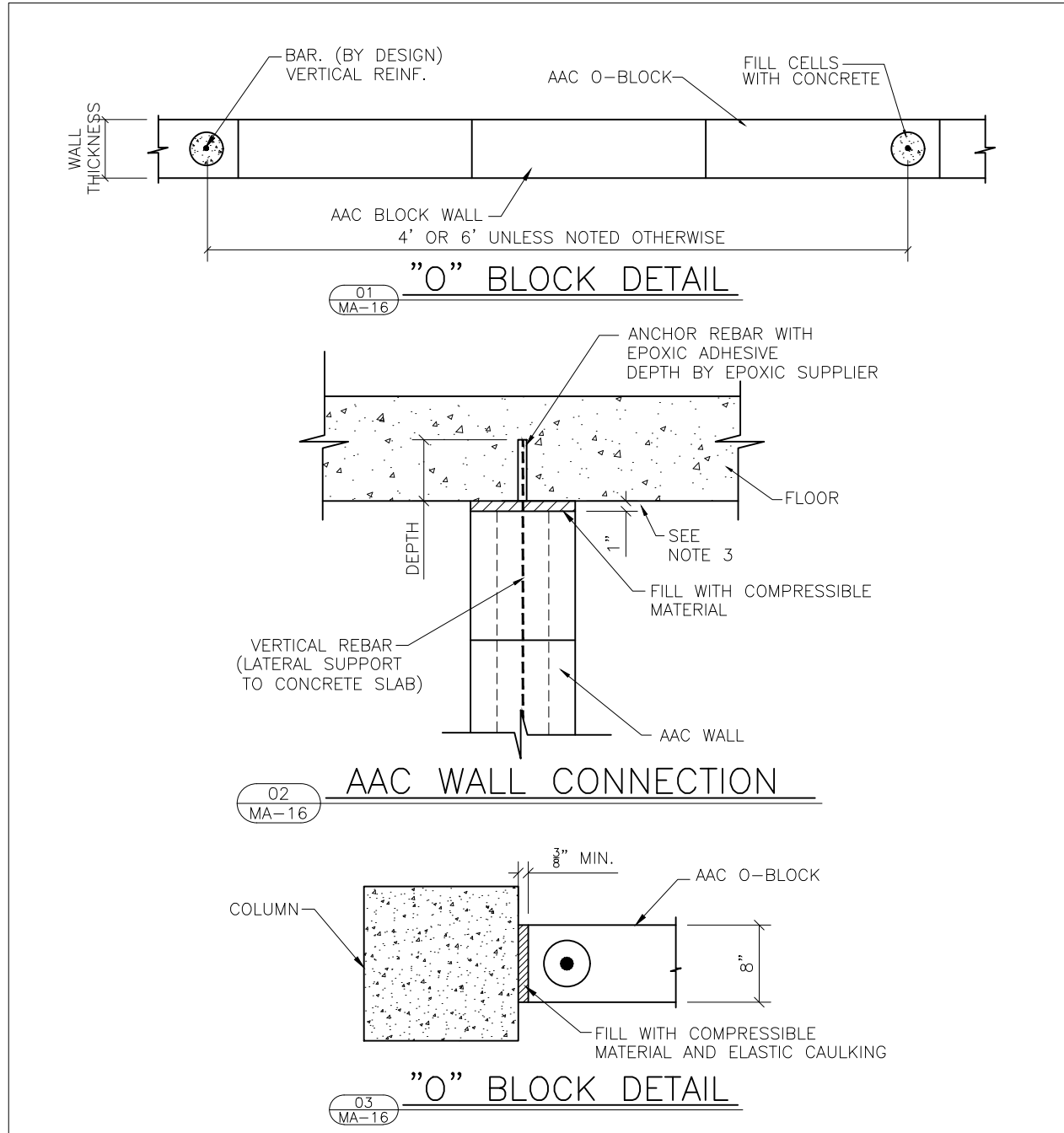
AAC INTERIOR WALL (NON BEARING) - COLUMN CONN.



NOTES

- 1.-NOT SCALE
- 2.-DIMENSIONS FEET-INCHES

REINFORCEMENT AND LATERAL WALL CONNECTION



NOTES

- 1.-NOT SCALE
- 2.-DIMENSIONS FEET-INCHES
- 3.-OR ESTIMATE DEFLECTION OF THE SLAB SYSTEM (PROVIDED BY EOR).
- 4.-CONCRETE F'C=3000 PSI.
- 5.-SIZE AND SPACING VERTICAL REINFORCEMENT IN ACCORDANCE TO ST. DESIGN.

XELLA MEXICANA, S.A. DE C.V.

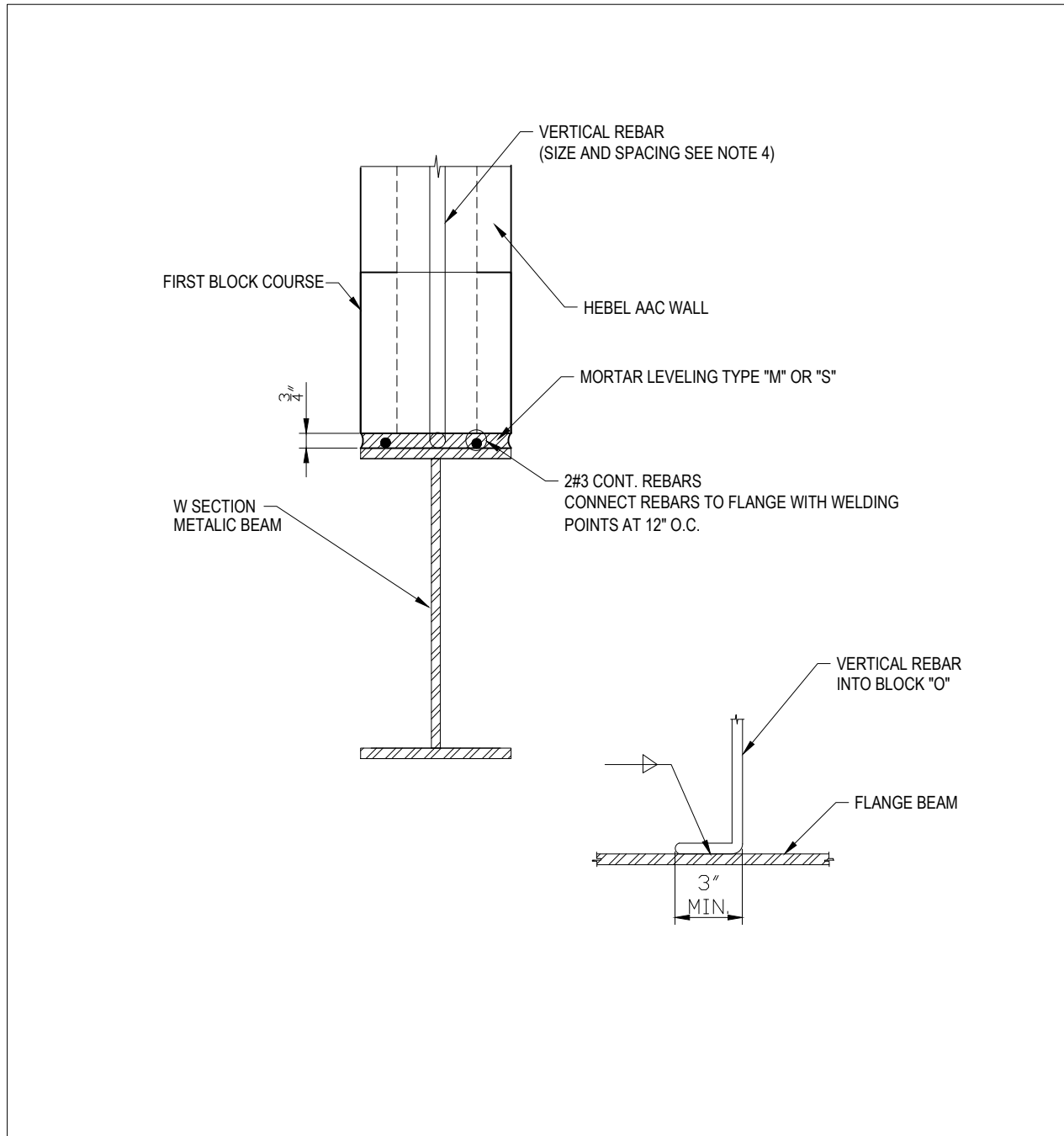
Río Amacuzac #1201 Ote. ■ Col. Valle Oriente ■ San Pedro Garza García, N.L. México 66269

Tel. +52 (81)8399-2464 +52 (81)8399-2462 Fax +52 (81)8399-2420

www.hebel.mx

August 2020

Hebel AAC Wall Start on Steel Beam



NOTES

- 1.-NOT SCALE
- 2.-DIMENSIONS INCHES
- 3.-STEEL BEAM SPECIFICATION BY STRUCTURAL DESIGN.
- 4.-VARTICAL REBAR SPECIFICATION BY STRUCTURAL DESIGN.

CONTENTS	
MA-01	HEBEL AAC WALL START AND LEVELING-DROP LUG
MA-02	"O"-BLOCK DETAILS
MA-03	CORNER BLOCK DETAIL
MA-04	AAC WALL CONNECTION TO CMU COLUMN
MA-05	AAC WALL CONNECTION (METAL STRIP TIES)
MA-06	EXPANSION/CONTROL JOINTS
MA-07	ROOF WOOD TRUSS CONNECTION DETAIL TYP. TO AAC MASONRY WALL
MA-08	INTERFLOOR FRAMING CONNECTION DETAIL TYP. BLOCK-BLOCK
MA-09	BOND BEAM/HEADER TYPICAL SUPPORT DETAIL
MA-10	FIBERGLASS MESH ON HEBEL AAC WALLS
MA-11	CEMENT BOARD AS SIDING ON AAC WALL
MA-12	AAC BOND BEAM
MA-13	WINDOW CONNECTION IN HEBEL AAC WALL
MA-14	MAIN DOOR FRAME CONNECTION IN HEBEL AAC WALL
MA-15	INTERIOR NON BEARING WALL -COLUMN CONNECTION
MA-16	REINFORCEMENT AND LATERAL WALL CONNECTION
MA-17	HEBEL AAC WALL START ON STEEL BEAM

NOTES