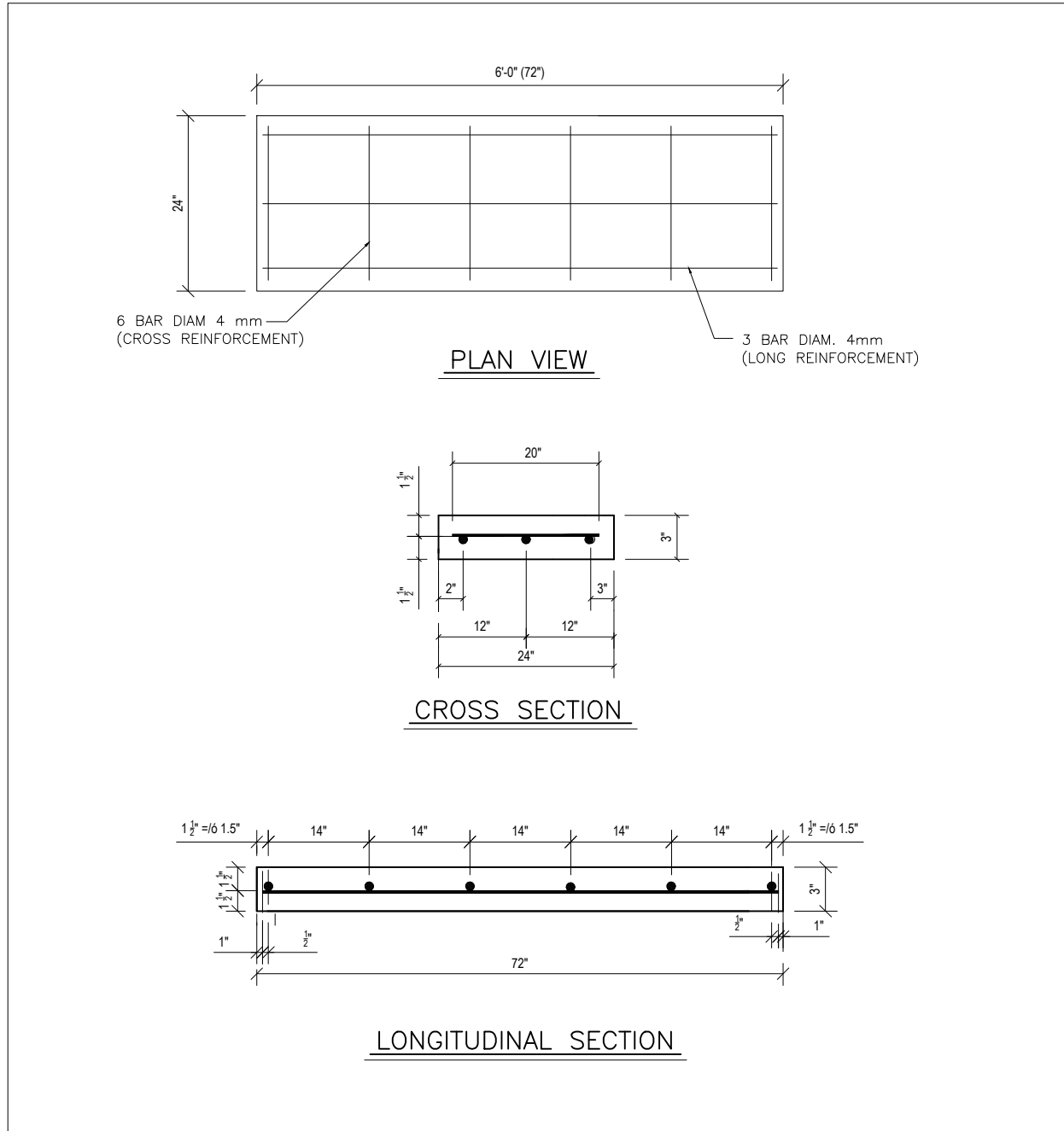


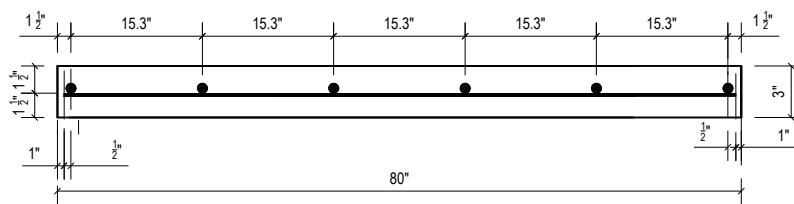
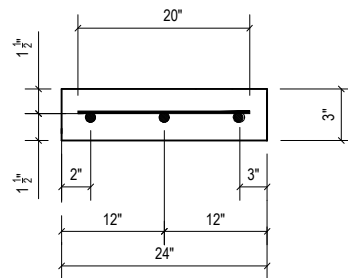
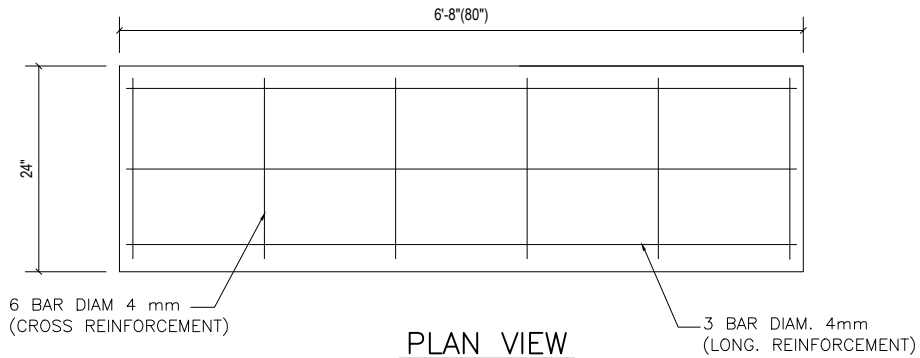
CROSS SECTION AND REINFORCEMENT



NOTES

1. DIMENSIONS FEET-INCHES.
2. CUT PANEL IN JOB SITE IS ALLOWED.
3. ALL PANELS HAVE FLAT EDGES.
4. STEEL REINFORCEMENT FY= 70 ksi.
5. PANEL AAC4/500 f_{aac}= 580 psi.

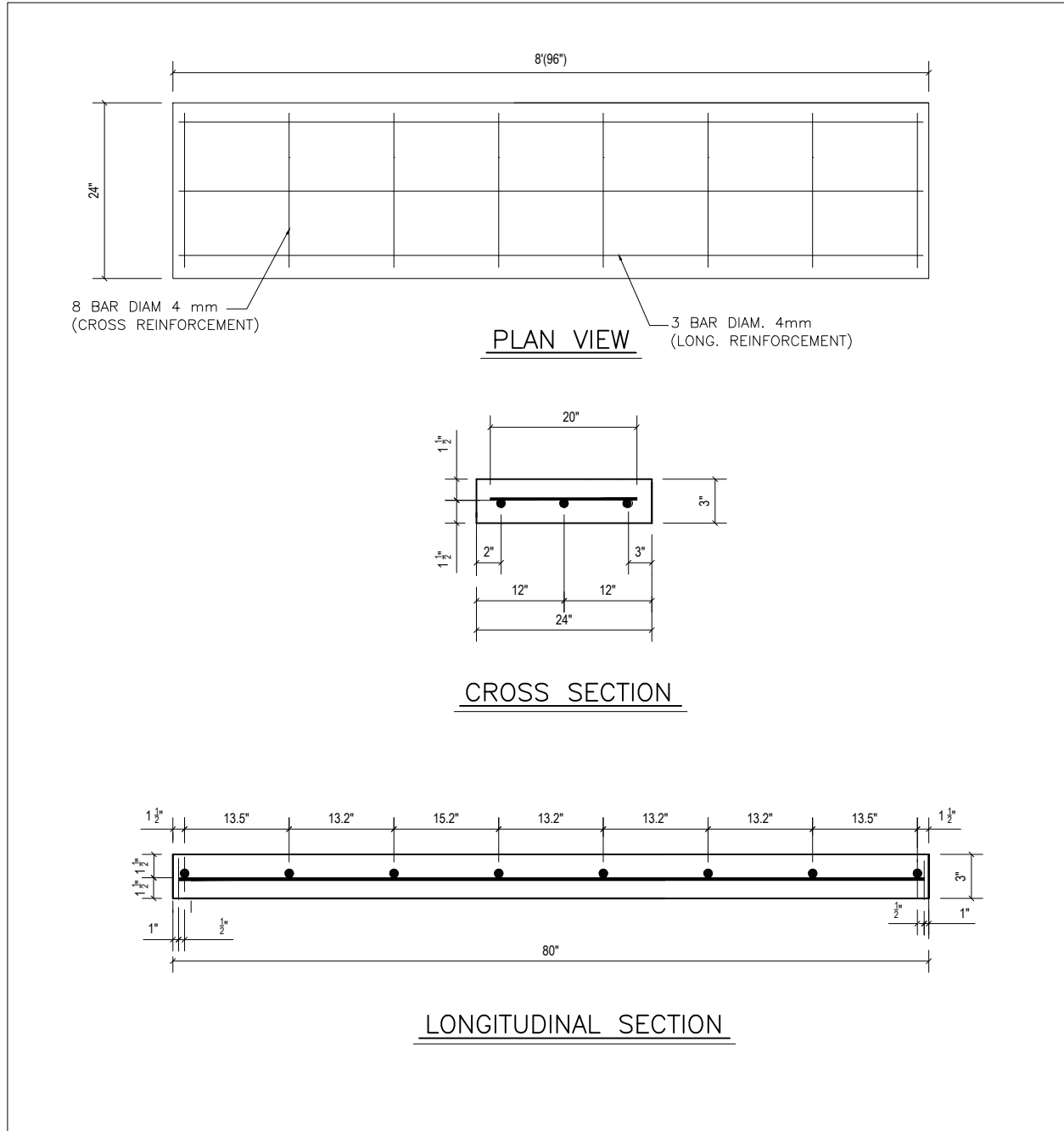
CROSS SECTION AND REINFORCEMENT



NOTES

1. DIMENSIONS FEET-INCHES.
2. CUT PANEL IN JOB SITE IS ALLOWED.
3. ALL PANELS HAVE FLAT EDGES.
4. STEEL REINFORCEMENT FY= 70 ksi.
5. PANEL AAC4/500 faac= 580 psi.

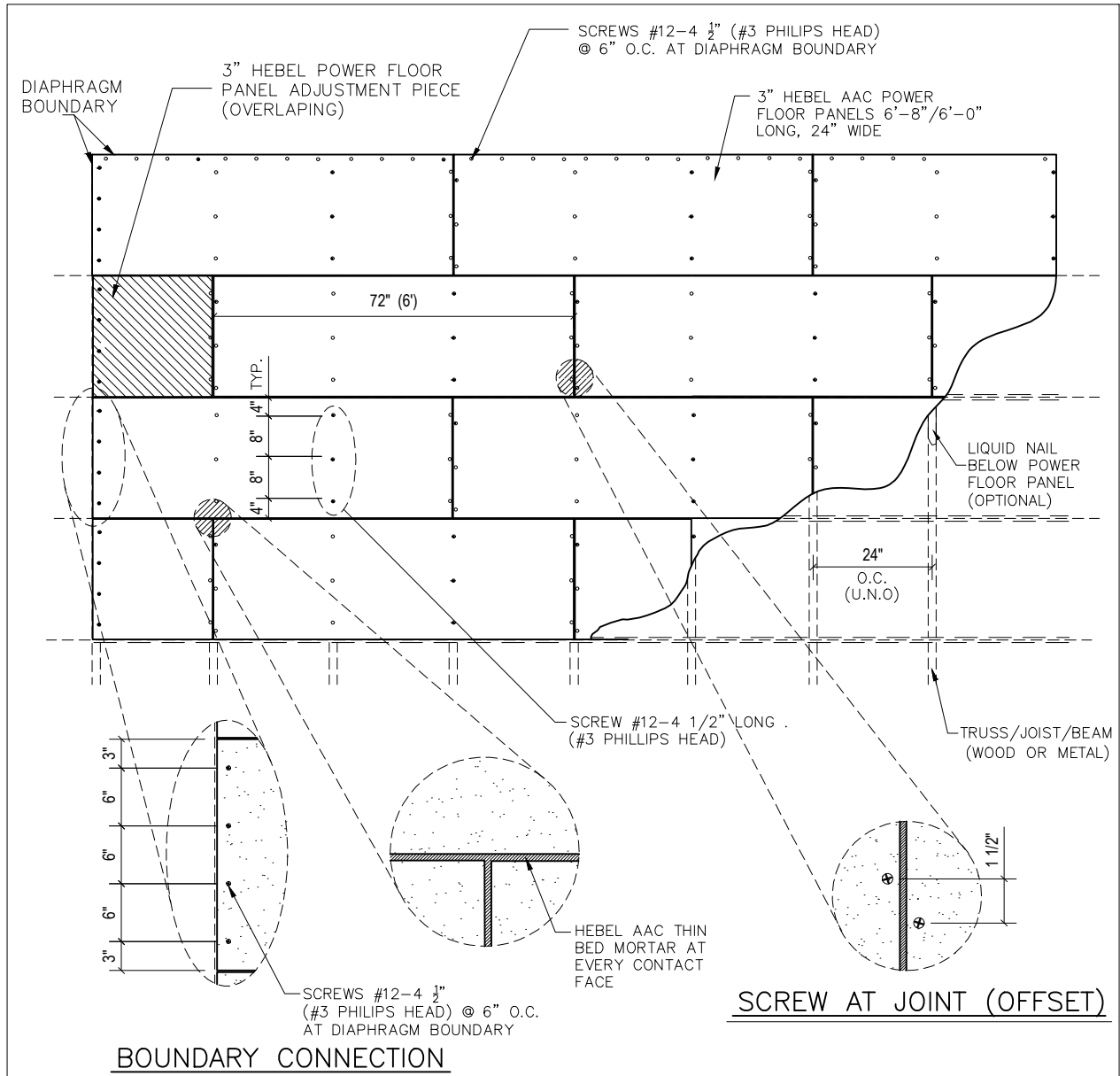
CROSS SECTION AND REINFORCEMENT



NOTES

1. DIMENSIONS FEET-INCHES.
2. CUT PANEL IN JOB SITE IS ALLOWED.
3. ALL PANELS HAVE FLAT EDGES.
4. STEEL REINFORCEMENT FY= 70 ksi.
5. PANEL AAC4/500 f_{aac}= 580 psi.

DIAPHRAGM LAYOUT WITH SUPPORT @ 24" O.C.

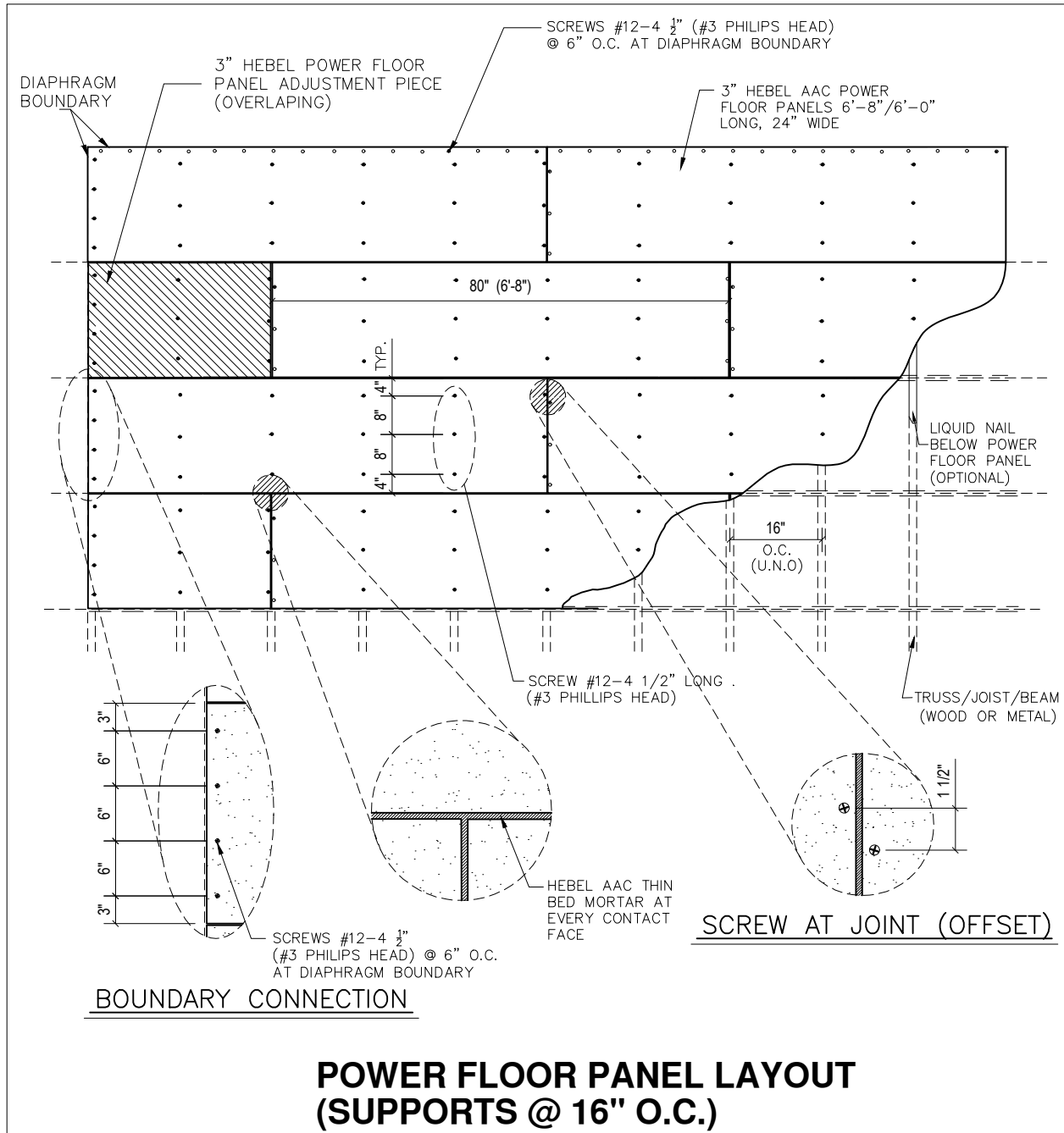


**POWER FLOOR PANEL LAYOUT
 (SUPPORTS @ 24" O.C.)**

NOTES

- 1.-NOT SCALE
- 2.-DIMENSIONS INCHES
- 3.-WOOD/METAL SUPPORT STRUCTURE OF THE AAC PANEL MUST BE SPECIFICATED BY THE PROFESSIONAL ENGINEER (PE).

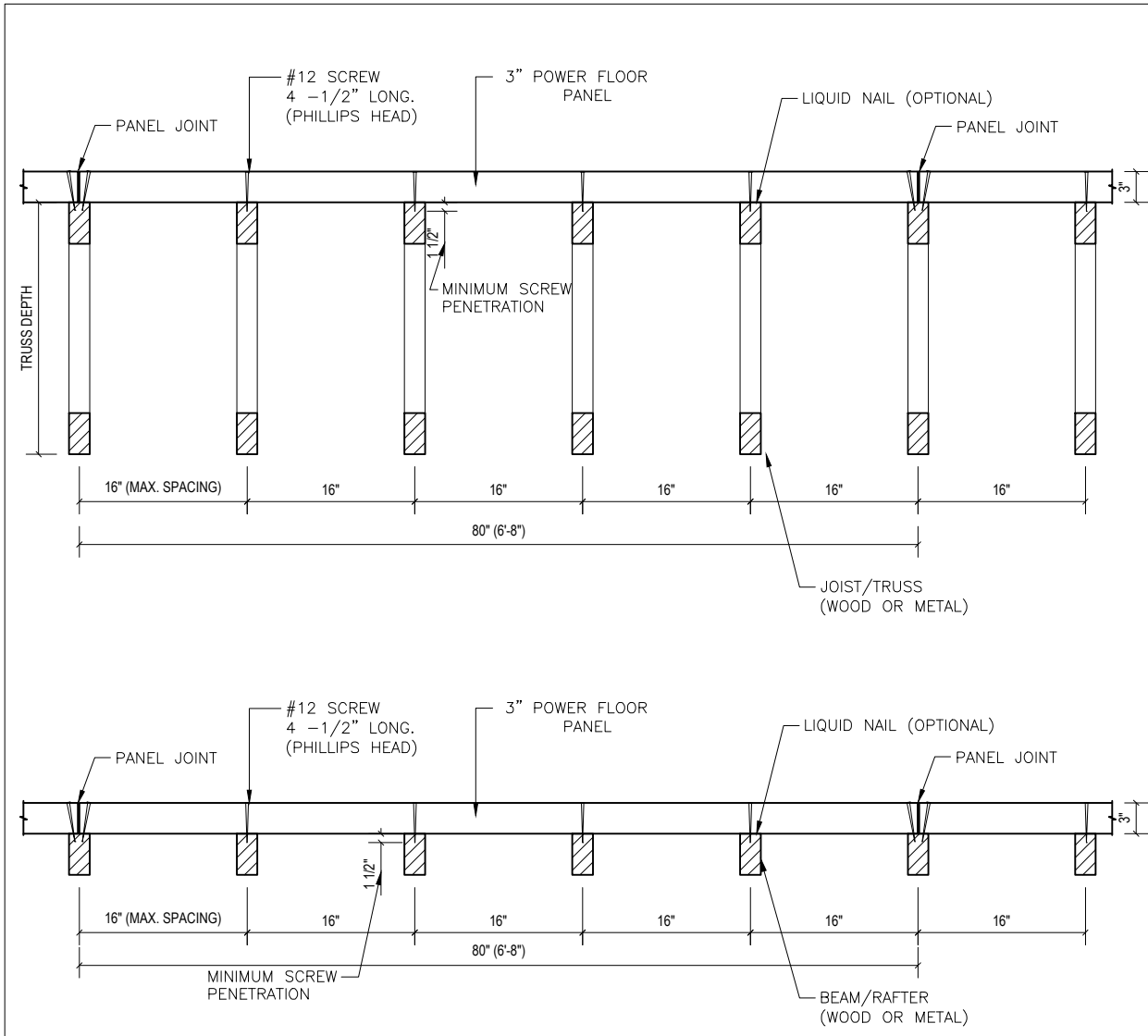
DIAPHRAGM LAYOUT WITH SUPPORT @ 16" O.C.



NOTES

- 1.-NOT SCALE
- 2.-DIMENSIONS INCHES
- 3.-WOOD/METAL SUPPORT STRUCTURE OF THE AAC PANEL MUST BE SPECIFICATED BY THE PROFESSIONAL ENGINEER (PE).

Supports spacings sections



HEBEL POWER FLOOR SYSTEM— 6'-8" LONG. PANELS

NOTES

- 1.-NOT SCALE
- 2.-DIMENSIONS INCHES
- 3.-AAC STRENGTH CLASS AAC-4/500 - F'aac= 580 psi
- 4.-WOOD FRAMING IN ACCORDANCE WITH THE DESIGN SPECIFICATIONS

- 5.- WOOD JOIST - FLOOR APPLICATION

Litecrete, S.A. DE C.V.

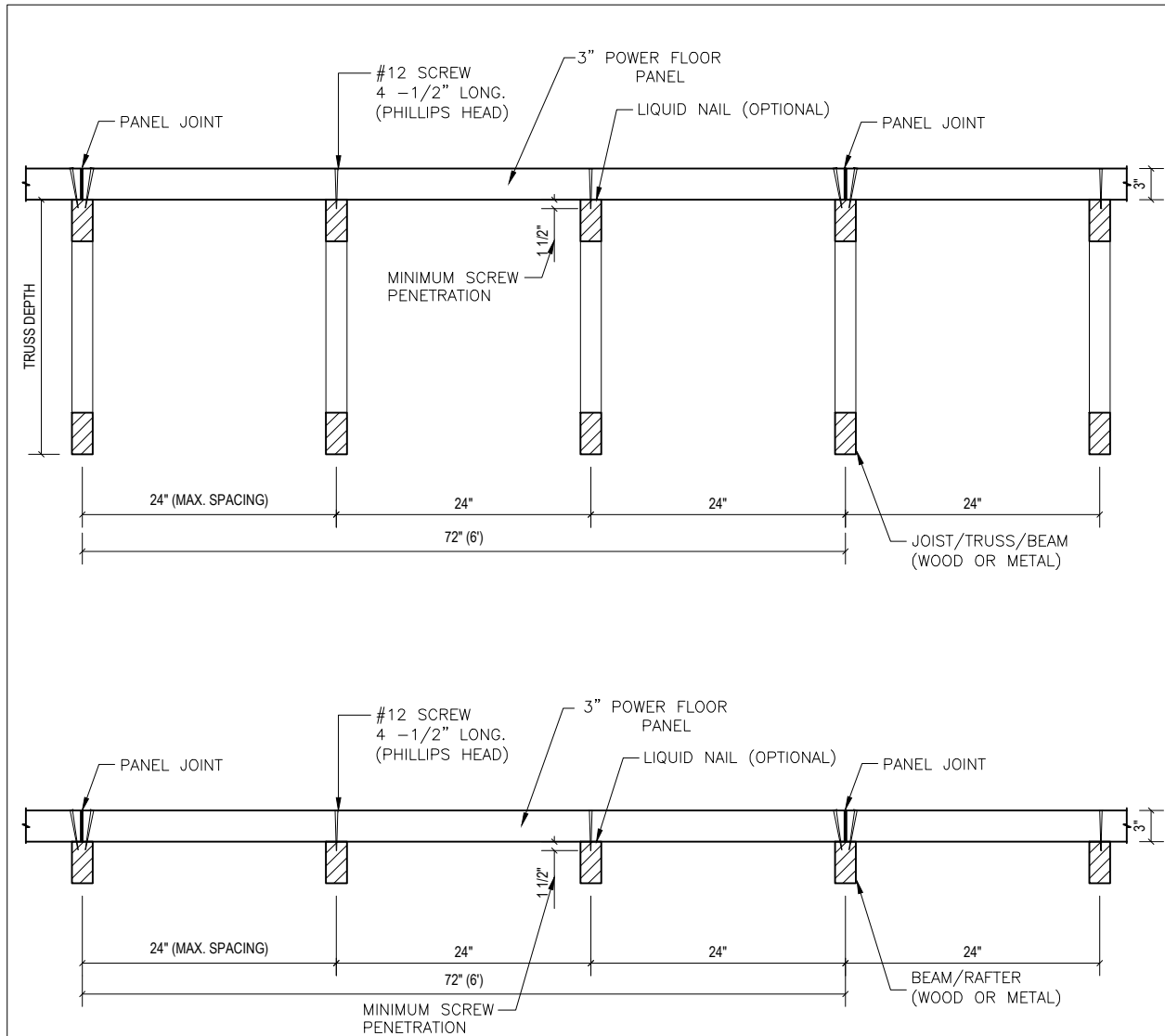
Río Amacuzac #1201 Ote. ■ Col. Valle Oriente ■ San Pedro Garza García, N.L. ■ México ■ 66269

Tel. +52 (81)8399-2464 +52 (81)8399-2462 Fax +52 (81)8399-2420

www.hebel.mx

August 2020

Supports spacings sections



HEBEL POWER FLOOR SYSTEM— 6 FT LONG. PANELS

NOTES

- 1.-NOT SCALE
- 2.-DIMENSIONS INCHES
- 3.-AAC STRENGTH CLASS AAC-4/500 - F[']aac= 580 psi
- 4.-WOOD FRAMING IN ACCORDANCE WITH THE DESIGN SPECIFICATIONS

- 5.- WOOD JOIST - FLOOR APPLICATION

Litecrete, S.A. DE C.V.

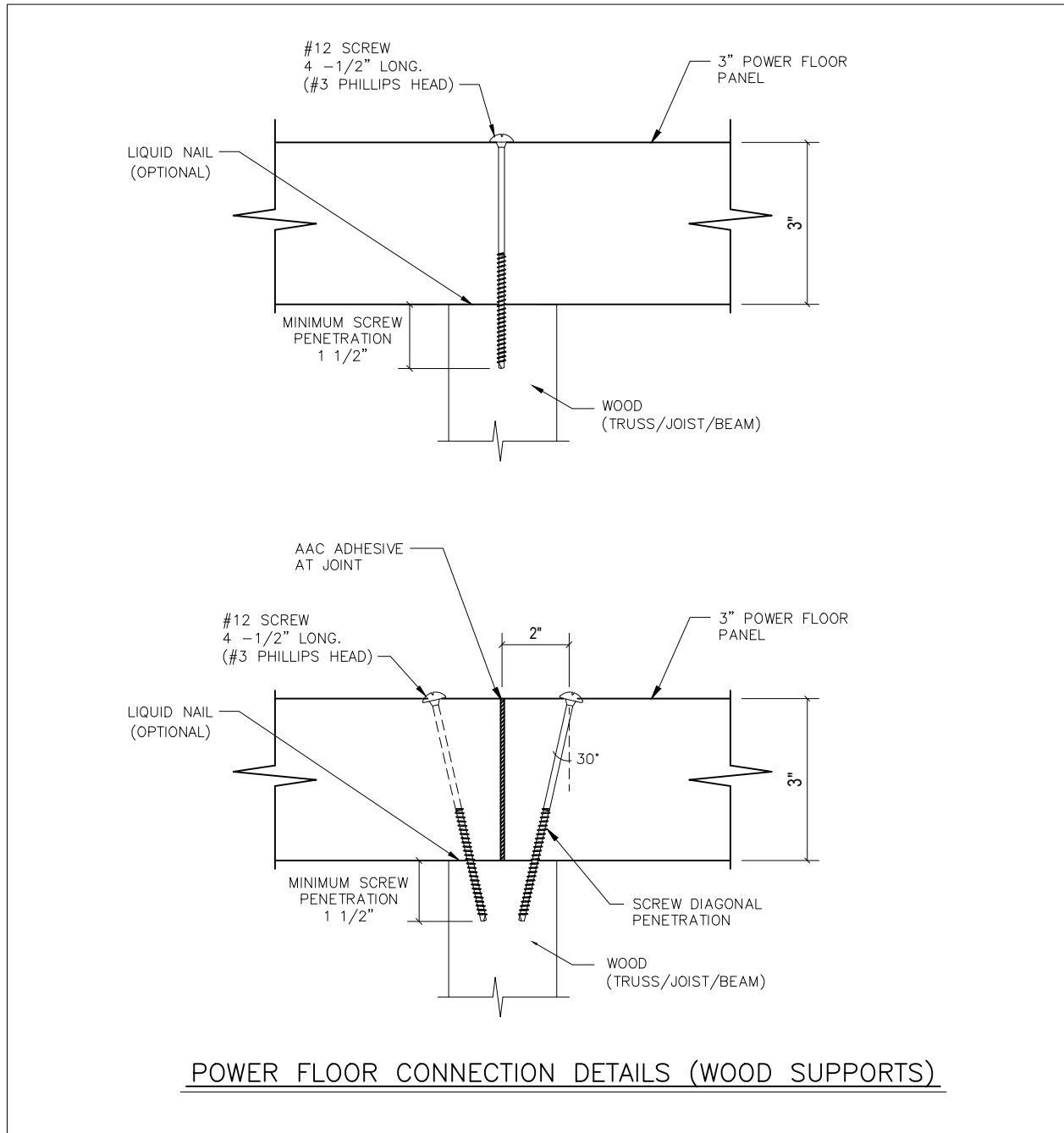
Río Amacuzac #1201 Ote. ■ Col. Valle Oriente ■ San Pedro Garza García, N.L. ■ México ■ 66269

Tel. +52 (81)8399-2464 +52 (81)8399-2462 Fax +52 (81)8399-2420

www.hebel.mx

August 2020

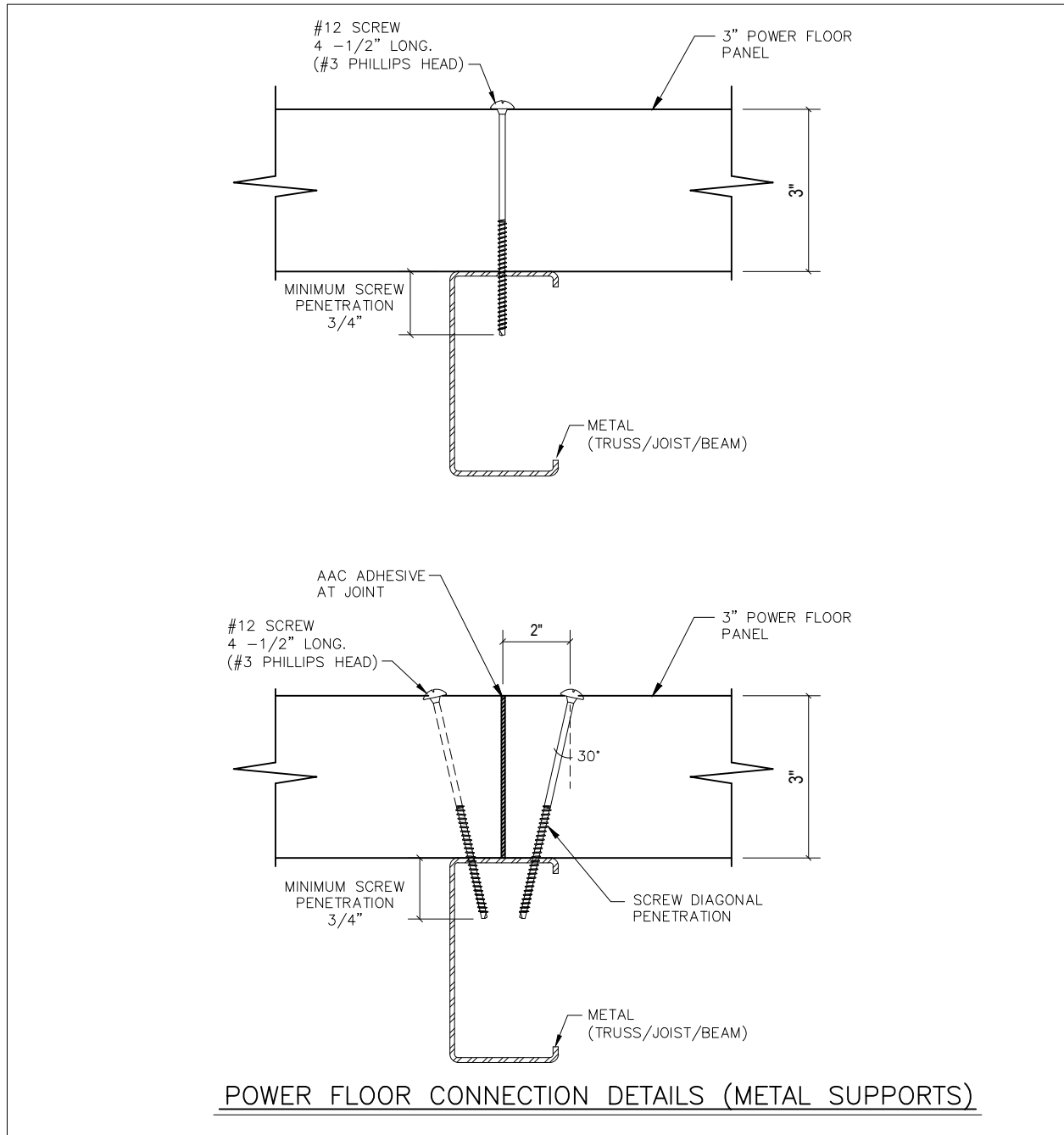
SUPPORT AND CONNECTION DETAIL (WOOD)



NOTES

- 1.-NOT SCALE
- 2.-DIMENSIONS INCHES
- 3.-SCREW #12-4 1/2" LONG. # 12 PHILLIPS HEAD

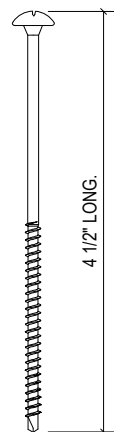
SUPPORT AND CONNECTION DETAIL (METAL)



NOTES

- 1.-NOT SCALE
- 2.-DIMENSIONS INCHES
- 3.-SCREW #12-4 1/2" LONG. # 12 PHILLIPS HEAD

SCREW DETAIL



HEAD TYPES: #3 PHILLIPS
 HEAD HEIGHT: MAX. .118"
 HEAD DIA: MAX. .448"
 THREAD MAJOR DIA: .222"
 SHANK DIA: .167"

STRENGTH (LBS ULT.):
 TENSILE: 2410
 TORSIONAL: 76 IN-LBS MIN.
 SHEAR: 1815

PULL-OUT: (LBS AVG.):
 STEEL 22 GA: 513
 STEEL 20 GA: 695
 STEEL 18 GA: 787
 2x DIMENSIONAL LUMBER (1" PENETRATION): 462
 3/4" FR PLYWOOD (THROUGH PENETRATION): 575

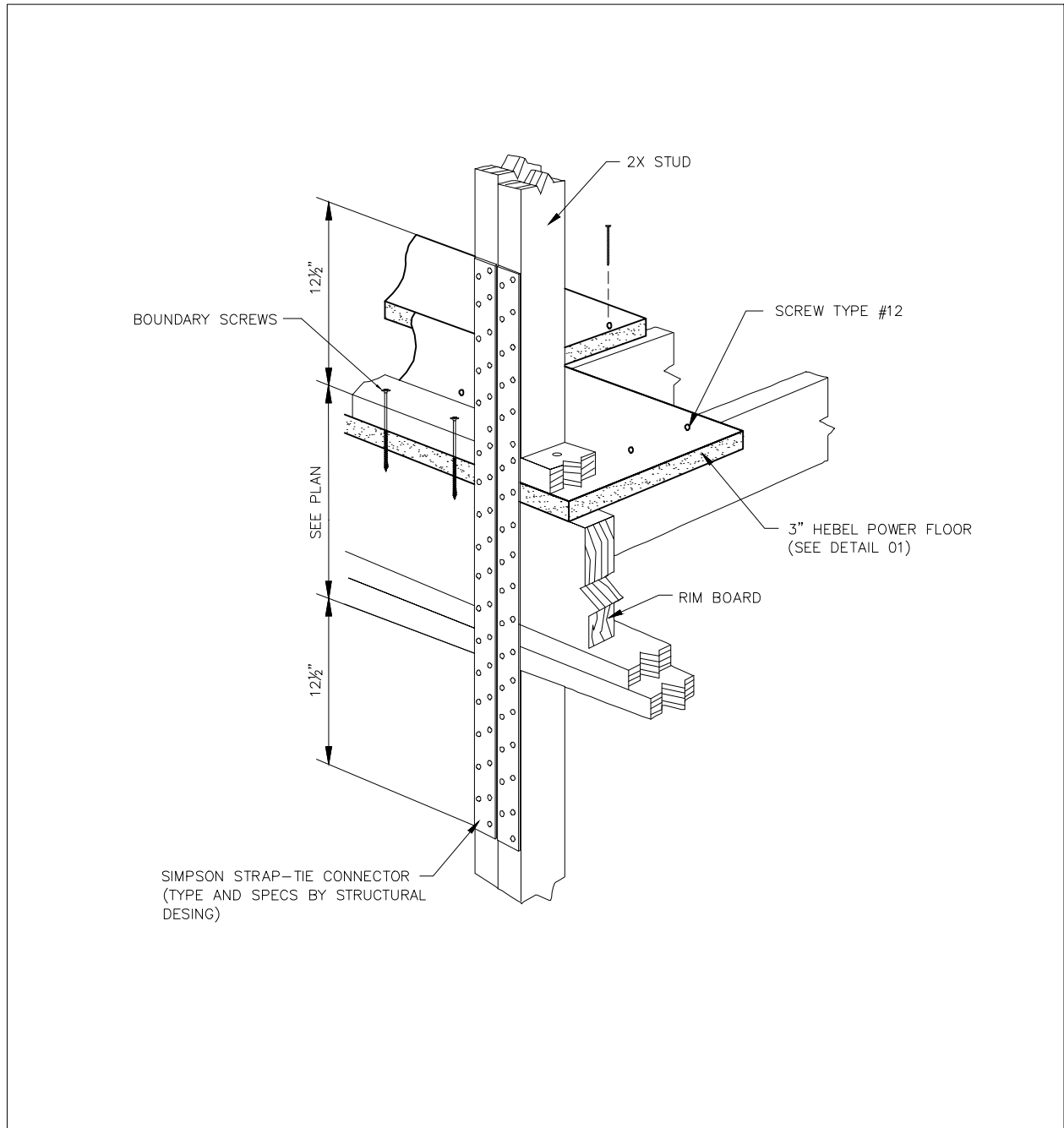
#12 FASTENER

NOTES

1.-NOT SCALE
 2.-DIMENSIONS ARE NOMINAL INCHES UNLESS NOTED.
 3.-ULTIMATE VALUES LISTED ARE THE RESULT OF LABORATORY TESTING.
 PULL-OUT (POUNDS ULTIMATE) STRENGTH VALUES MAY VARY FROM
 TABULATED LOADS DEPENDING UPON THE UNIQUENESS OF
 THE APPLICATION.

4.-THE SPECIFIC JOB CONDITIONS SHOULD BE CONSIDERED AND
 APPROPRIATE SAFETY FACTORS APPLIED WHEN SPECIFYING THE
 PROPER FASTENERS.

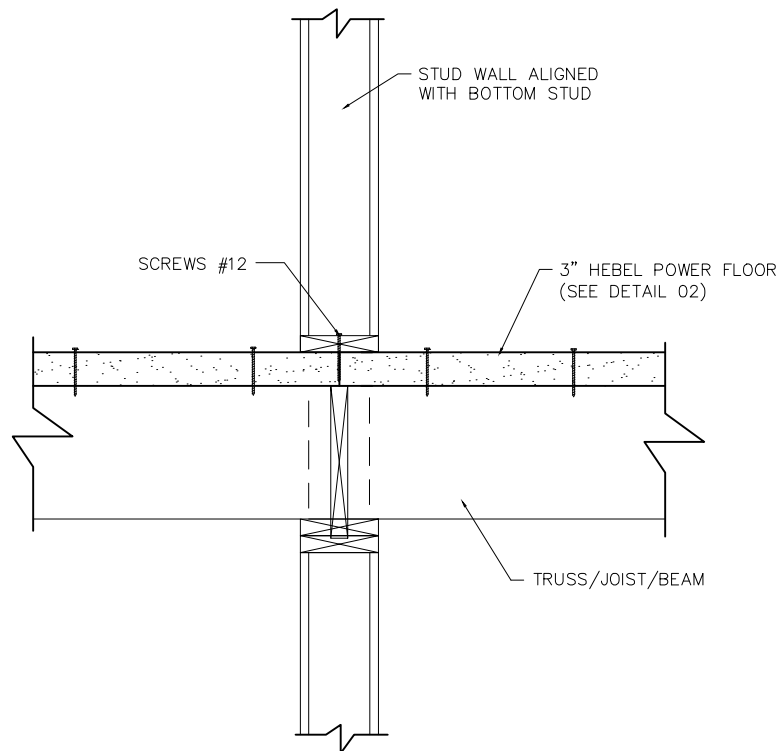
SHEAR WALL CONNECTION WITH STRAP-TIE (WOOD)



NOTES

- 1.-NOT SCALE
- 2.-DIMENSIONS INCHES

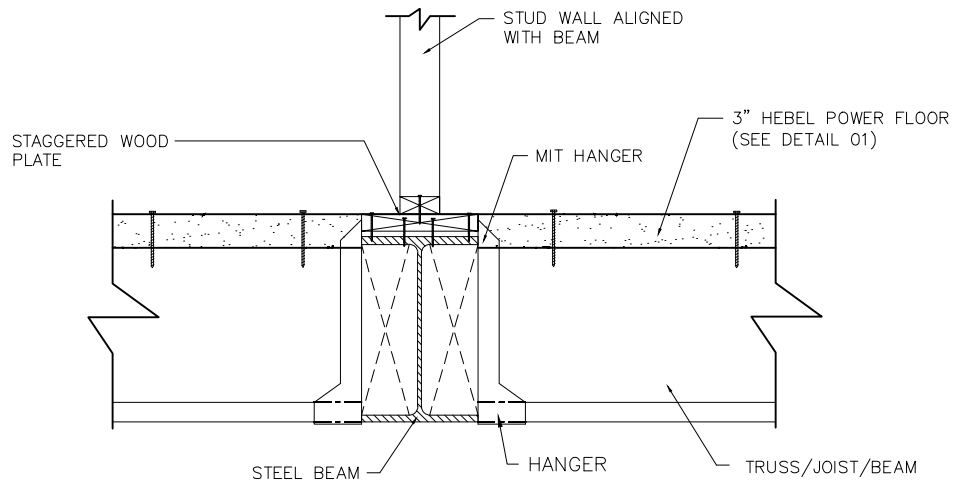
INTERIOR BEARING-WALL (WOOD)



NOTES

- 1.-NOT SCALE
- 2.-DIMENSIONS INCHES

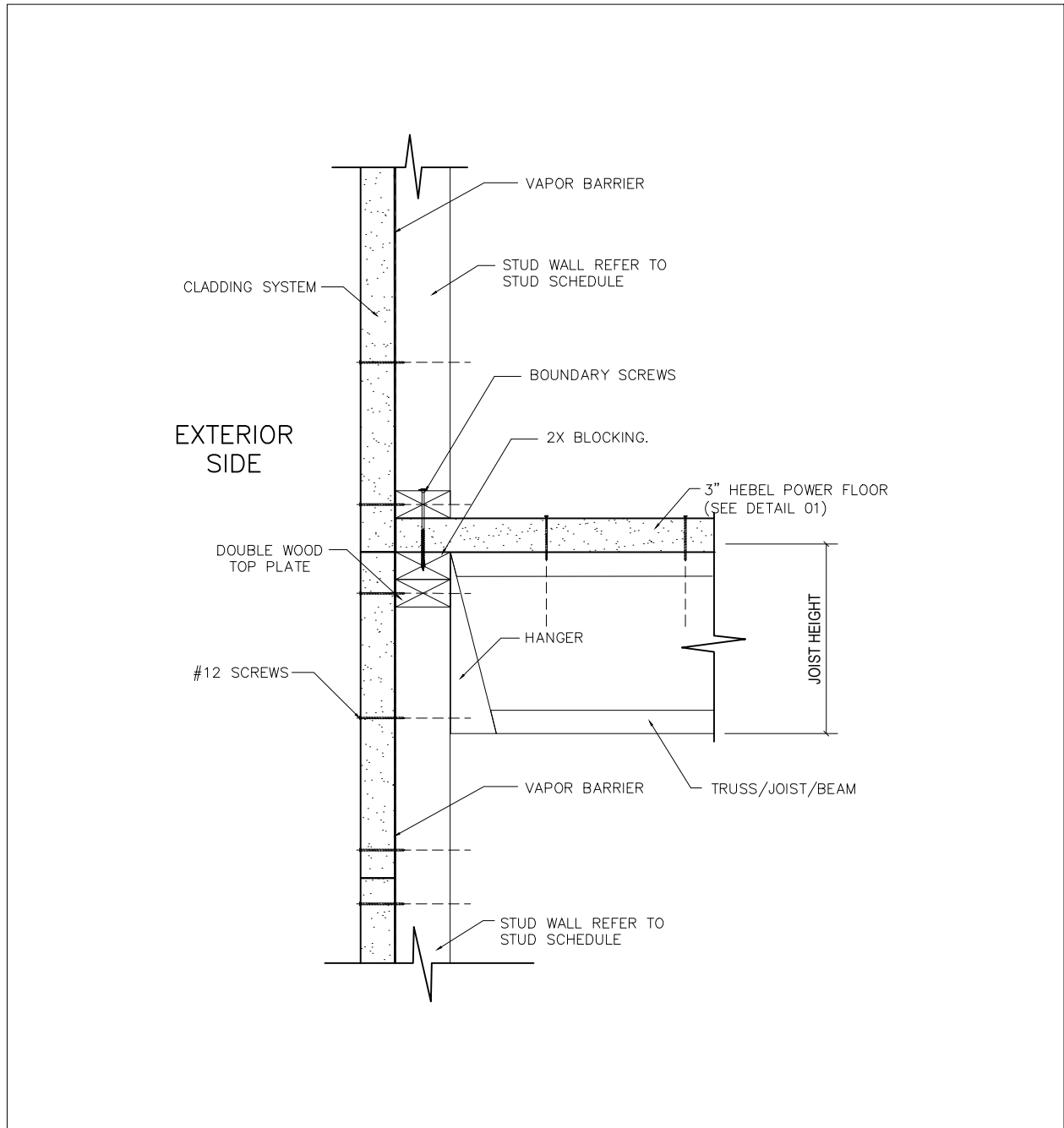
INTERIOR BEARING-WALL STEEL BEAM SUPPORT (WOOD)



NOTES

- 1.-NOT SCALE
- 2.-DIMENSIONS INCHES

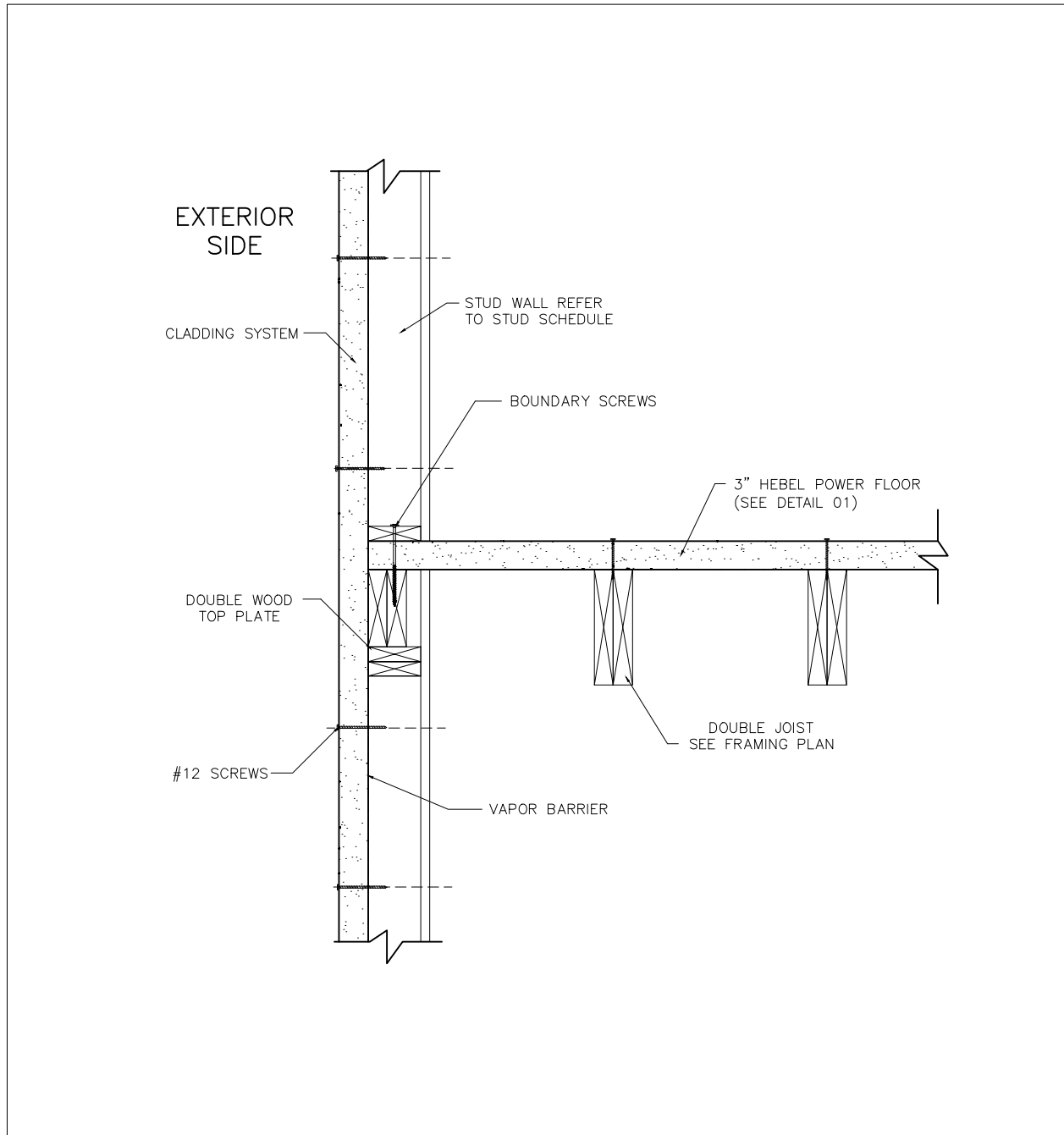
INTERFLOOR FRAMING CONNECTION DETAIL TYP. HANGER-JOIST DETAIL (WOOD)



NOTES

- 1.-NOT SCALE
- 2.-DIMENSIONS INCHES

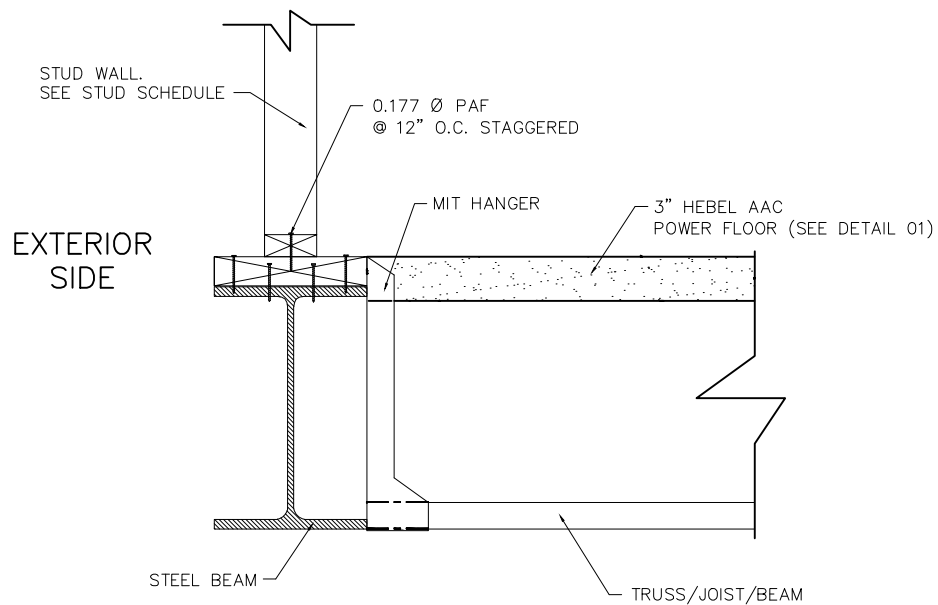
INTERFLOOR FRAMING CONNECTION DETAIL TYP. FRAMING DIRECTION (WOOD)



NOTES

- 1.-NOT SCALE
- 2.-DIMENSIONS INCHES

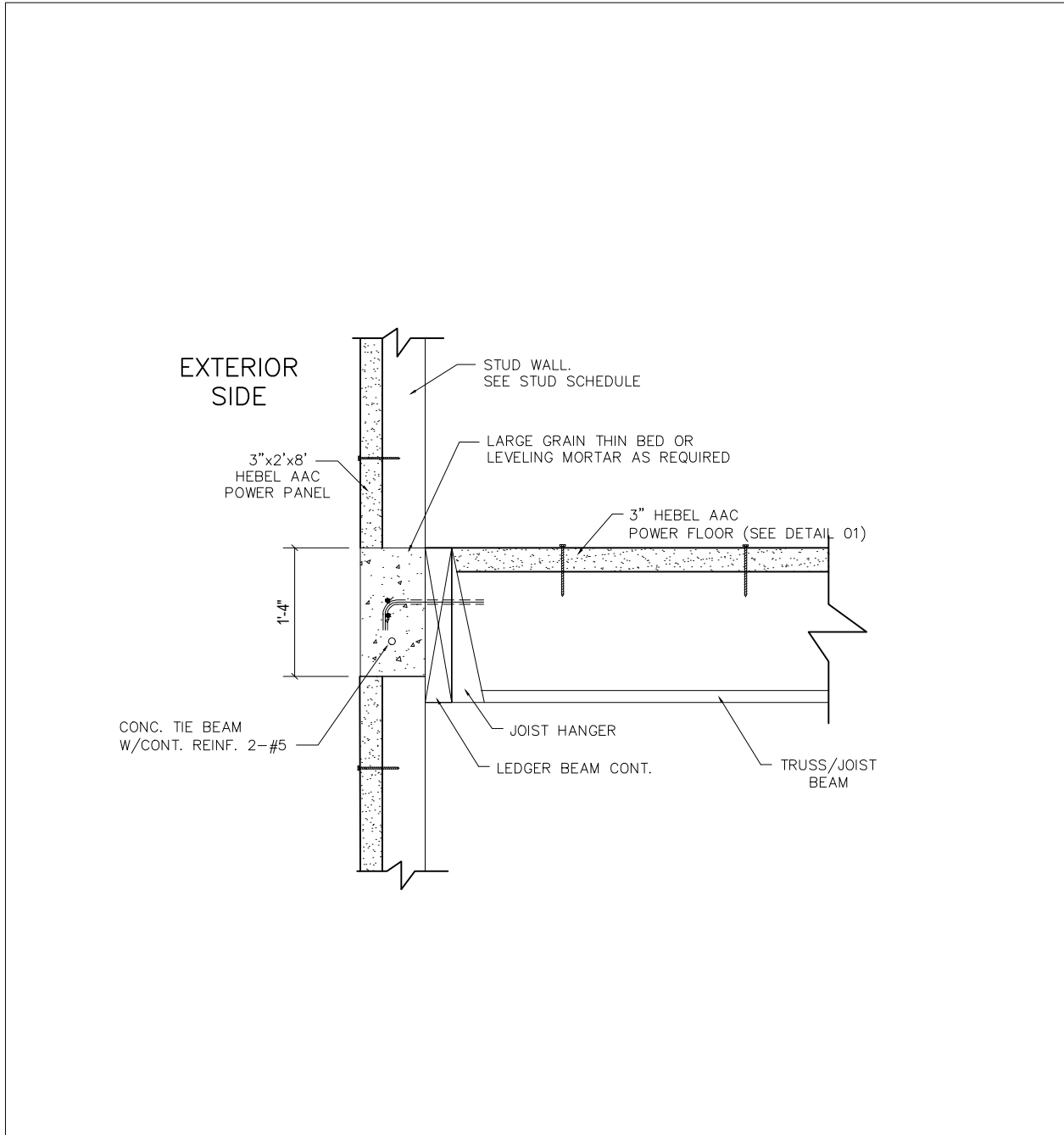
EXTERIOR BEARING-WALL STEEL BEAM SUPPORT (WOOD)



NOTES

- 1.-NOT SCALE
- 2.-DIMENSIONS INCHES

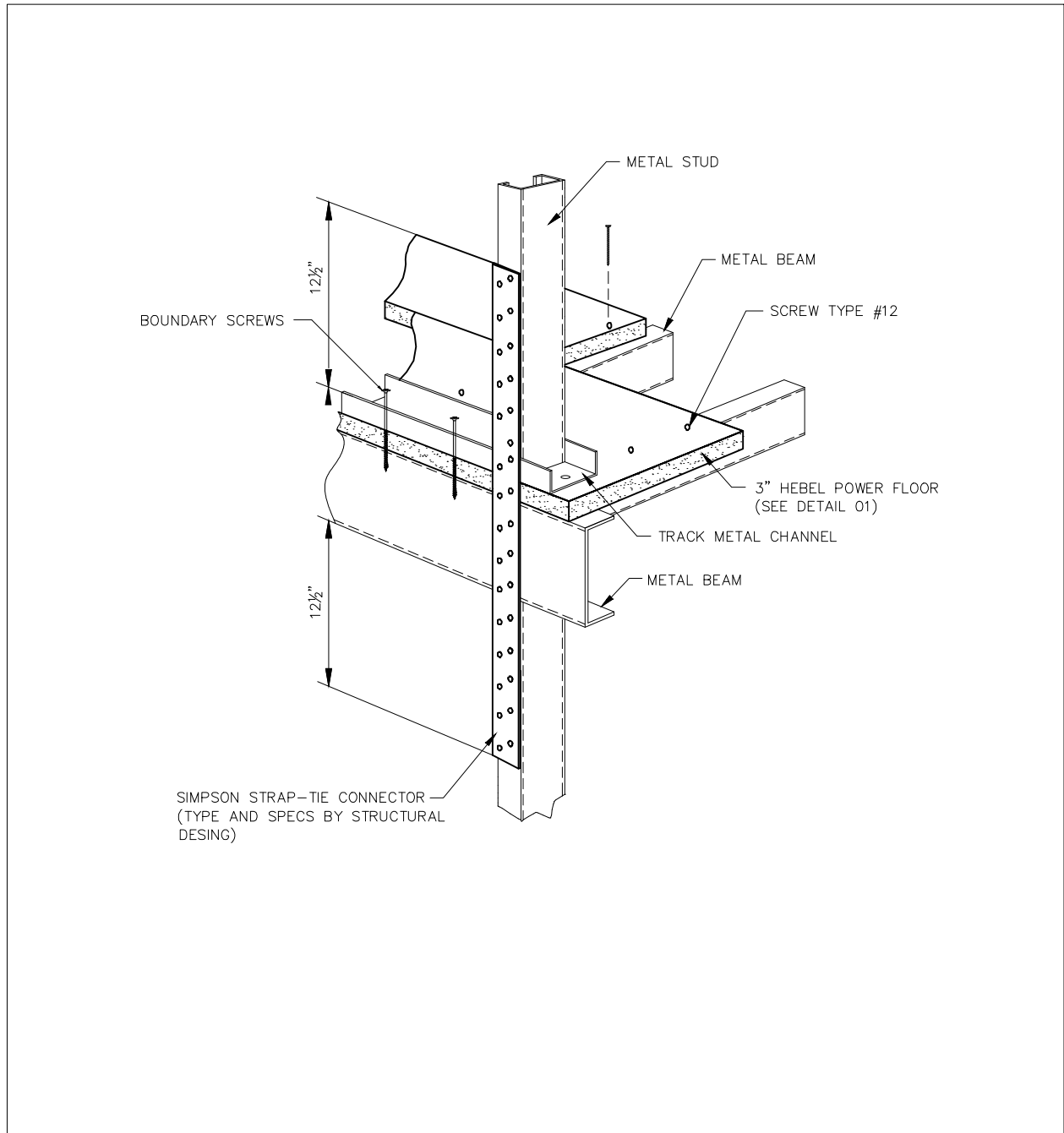
CONCRETE TIE BEAM ANCHORAGE DETAIL (WOOD)



NOTES

- 1.-NOT SCALE
- 2.-DIMENSIONS INCHES

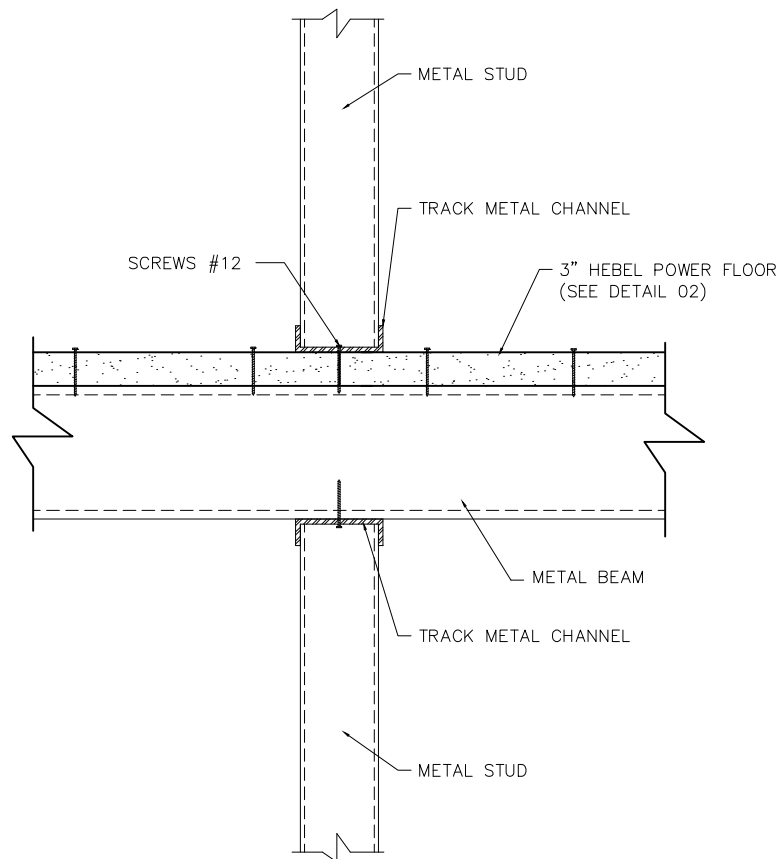
SHEAR WALL CONNECTION WITH STRAP-TIE (METAL)



NOTES

- 1.-NOT SCALE
- 2.-DIMENSIONS INCHES

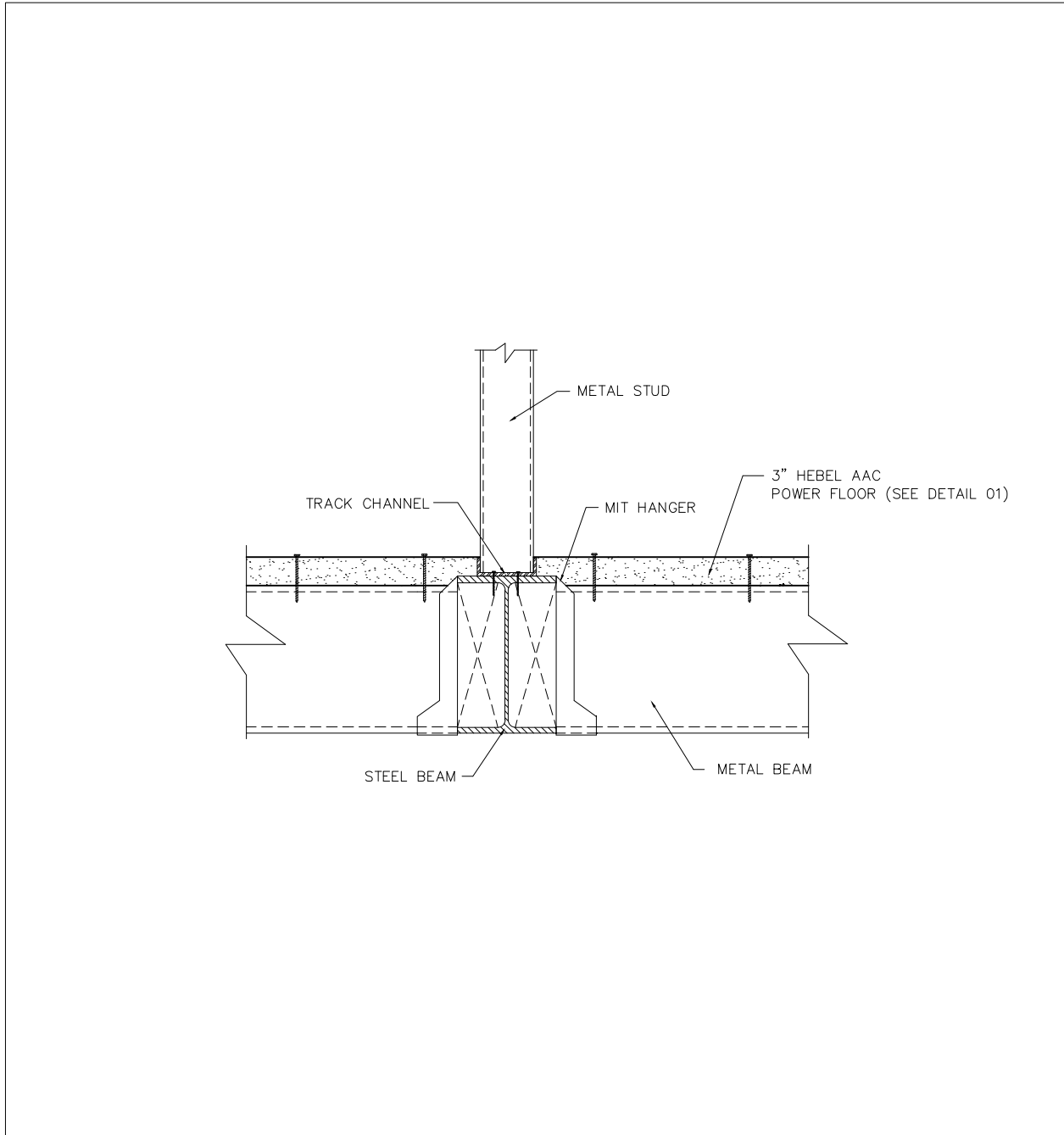
INTERIOR BEARING-WALL (METAL)



NOTES

- 1.-NOT SCALE
- 2.-DIMENSIONS INCHES

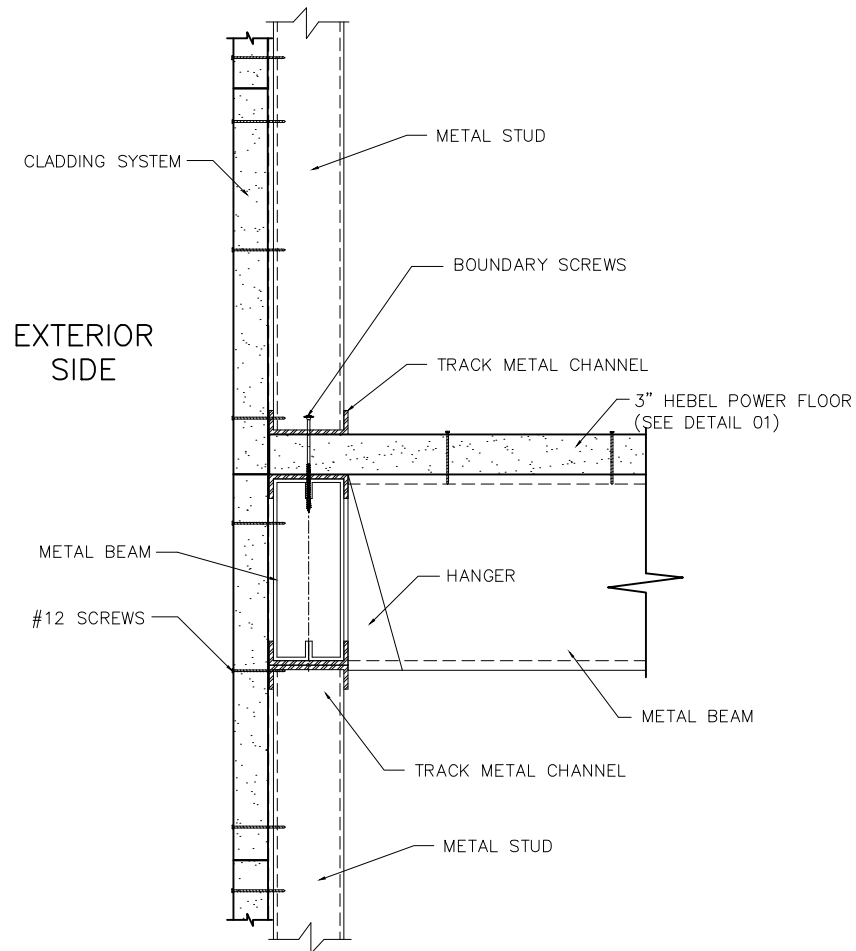
INTERIOR BEARING-WALL STEEL BEAM SUPPORT (METAL)



NOTES

- 1.-NOT SCALE
- 2.-DIMENSIONS INCHES

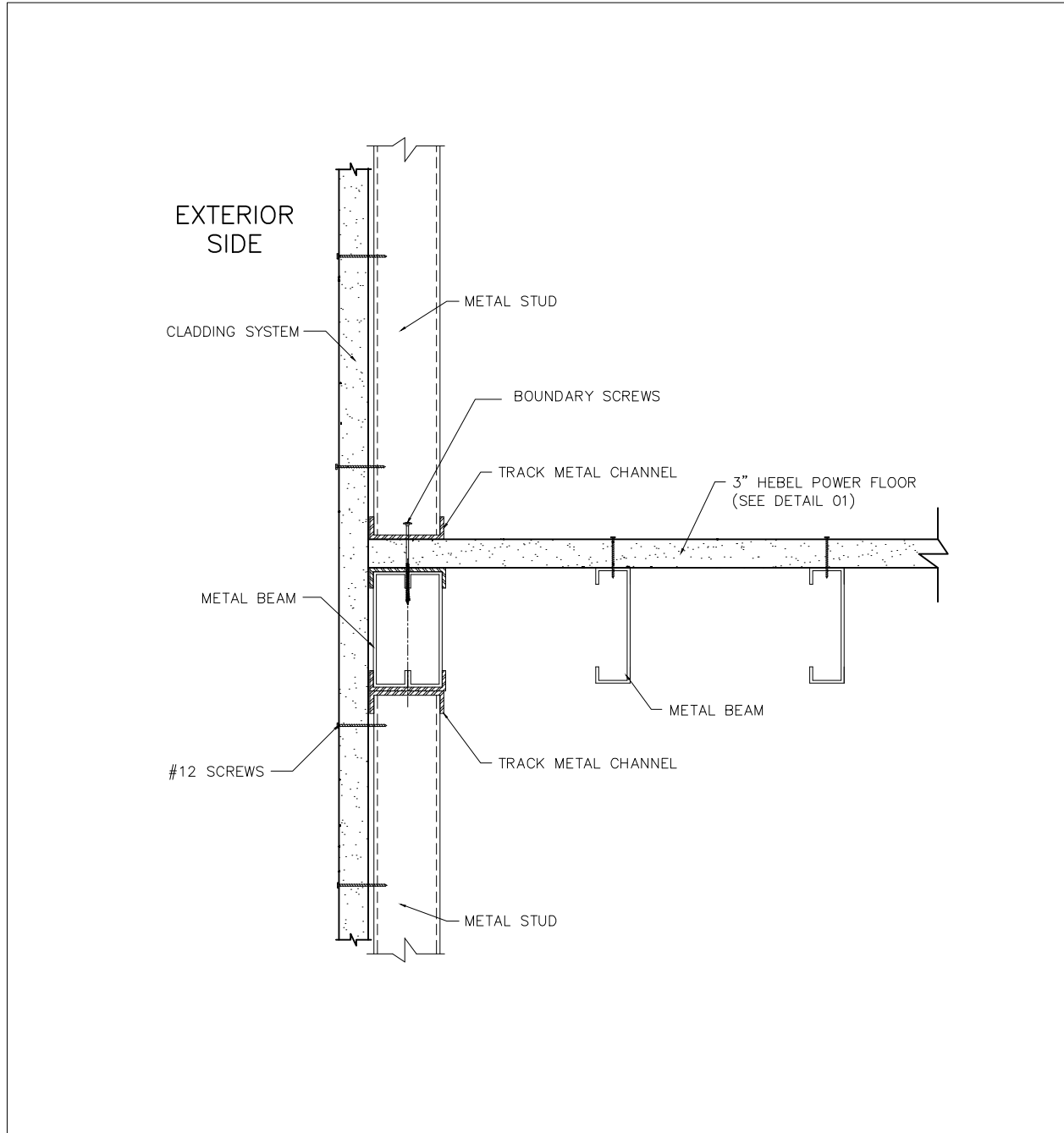
INTERFLOOR FRAMING CONNECTION DETAIL TYP. HANGER-JOIST DETAIL (METAL)



NOTES

- 1.-NOT SCALE
- 2.-DIMENSIONS INCHES

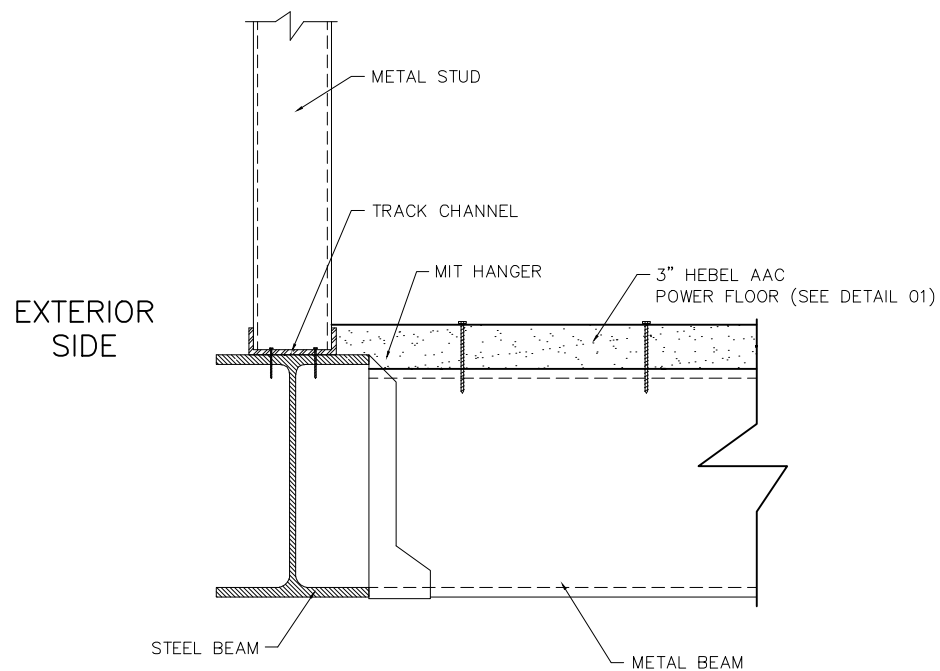
INTERFLOOR FRAMING CONNECTION DETAIL TYP. FRAMING DIRECTION (METAL)



NOTES

- 1.-NOT SCALE
- 2.-DIMENSIONS INCHES

EXTERIOR BEARING-WALL STEEL BEAM SUPPORT (METAL)



NOTES

- 1.-NOT SCALE
- 2.-DIMENSIONS INCHES

CONTENTS	
PF -1.0	CROSS SECTION AND REINFORCEMENT
PF -1.1	CROSS SECTION AND REINFORCEMENT
PF -1.2	CROSS SECTION AND REINFORCEMENT
PF-2.0	DIAPHRAGM LAYOUT WITH SUPPORT @24" O.C.
PF-2.1	DIAPHRAGM LAYOUT WITH SUPPORT @16" O.C.
PF-3.0	SUPPORTS SPACINGS SECTIONS
PF-3.1	SUPPORTS SPACINGS SECTIONS
PF-04	SUPPORT AND CONNECTION DETAIL (WOOD)
PF-05	SUPPORT AND CONNECTION DETAIL (METAL)
PF-06	SCREW DETAIL
PF-07	SHEAR WALL CONNECTION WITH STRAP-TIE (WOOD)
PF-08	INTERIOR BEARING-WALL (WOOD)
PF-09	INTERIOR BEARING-WALL STEEL BEAM SUPPORT (WOOD)
PF-10	INTERFLOOR FRAMING CONNECTION DETAIL TYP. HANGER-JOIST DETAIL (WOOD)
PF-11	INTERFLOOR FRAMING CONNECTION DETAIL TYP. FRAMING DIRECTION (WOOD)
PF-12	EXTERIOR BEARING-WALL STEEL BEAM SUPPORT (WOOD)
PF-13	CONCRETE TIE BEAM ANCHORAGE DETAIL (WOOD)
PF-14	SHEAR WALL CONNECTION WITH STRAP-TIE (METAL)
PF-15	INTERIOR BEARING-WALL (METAL)
PF-16	INTERIOR BEARING-WALL STEEL BEAM SUPPORT (METAL)
PF-17	INTERFLOOR FRAMING CONNECTION DETAIL TYP. HANGER-JOIST DETAIL (METAL)
PF-18	INTERFLOOR FRAMING CONNECTION DETAIL TYP. FRAMING DIRECTION (METAL)
PF-19	EXTERIOR BEARING-WALL STEEL BEAM SUPPORT (METAL)

NOTAS