

CONTENTS	
PP-01	HEBEL POWER PANEL WALL SYSTEM LAYOUT
PP-02	HEBEL POWER PANEL SYSTEM CONNECTIONS
PP-2.1	HEBEL POWER PANEL SYSTEM CONNECTIONS
PP-03	HEBEL POWER PANEL SYSTEM- CORNER CONNECTION
PP-04	HEBEL POWER PANEL SYSTEM- EXTERIOR WALL SECTIONS
PP-05	PRODUCT PROPERTIES 1/2
PP-06	CEMENT BOARD AS SIDING ON AAC POWER PANEL
PP-07	TYPICAL WALL SYSTEM (2")
PP-08	TYPICAL WALL SYSTEM (3")
PP-09	TYPICAL WINDOW OPENING AND FINISHING (2")
PP-10	TYPICAL WINDOW OPENING AND FINISHING (3")
PP-11	AAC POWER PANEL CORNER DETAIL (2")
PP-12	AAC POWER PANEL CORNER DETAIL (3")
PP-13	PANEL OVERLAP ON CORNERS (2")
PP-14	PANEL OVERLAP ON CORNERS (3")
PP-15	CONTROL JOINT TOP VIEW (2")
PP-16	CONTROL JOINT TOP VIEW (3")
PP-17	CONTROL JOINT SECTION VIEW (2")
PP-18	CONTROL JOINT SECTION VIEW (3")
PP-19	POWER PANEL - PATCHING & SECTION REPLACEMENT
PP-20	TYP. STEPDOWN SECTION (2")
PP-21	TYP. STEPDOWN SECTION (3")
PP-22	TYP. STEPDOWN SECTION-B (2")
PP-23	TYP. STEPDOWN SECTION-B (3")
PP-24	ROOF WOOD TRUSS CONNECTION DETAIL TYP. TO STUDS W/AAC POWER PANEL (2")
PP-25	ROOF WOOD TRUSS CONNECTION DETAIL TYP. TO STUDS W/AAC POWER PANEL (3")
PP-26	INTERFLOOR FRAMING CONNECTION DETAIL TYP. BLOCK-STUDS (2")
PP-27	INTERFLOOR FRAMING CONNECTION DETAIL TYP. BLOCK-STUDS (3")
PP-28	INTERFLOOR FRAMING CONNECTION DETAIL TYP. STUDS-CONTINUOUS (2")
PP-29	INTERFLOOR FRAMING CONNECTION DETAIL TYP. STUDS-CONTINUOUS (3")
PP-30	WINDOW SILL DETAIL (COMMERCIAL WINDOW, NO FLANGE)
PP-31	WINDOW SILL DETAIL (WINDOW W / FLANGE)
PP-32	WINDOW HEADER DETAIL (WINDOW W / FLANGE)
PP-33	WINDOW JAMB DETAIL (WINDOW W / FLANGE)

## NOTES

LITECRETE, S.A. DE C.V.

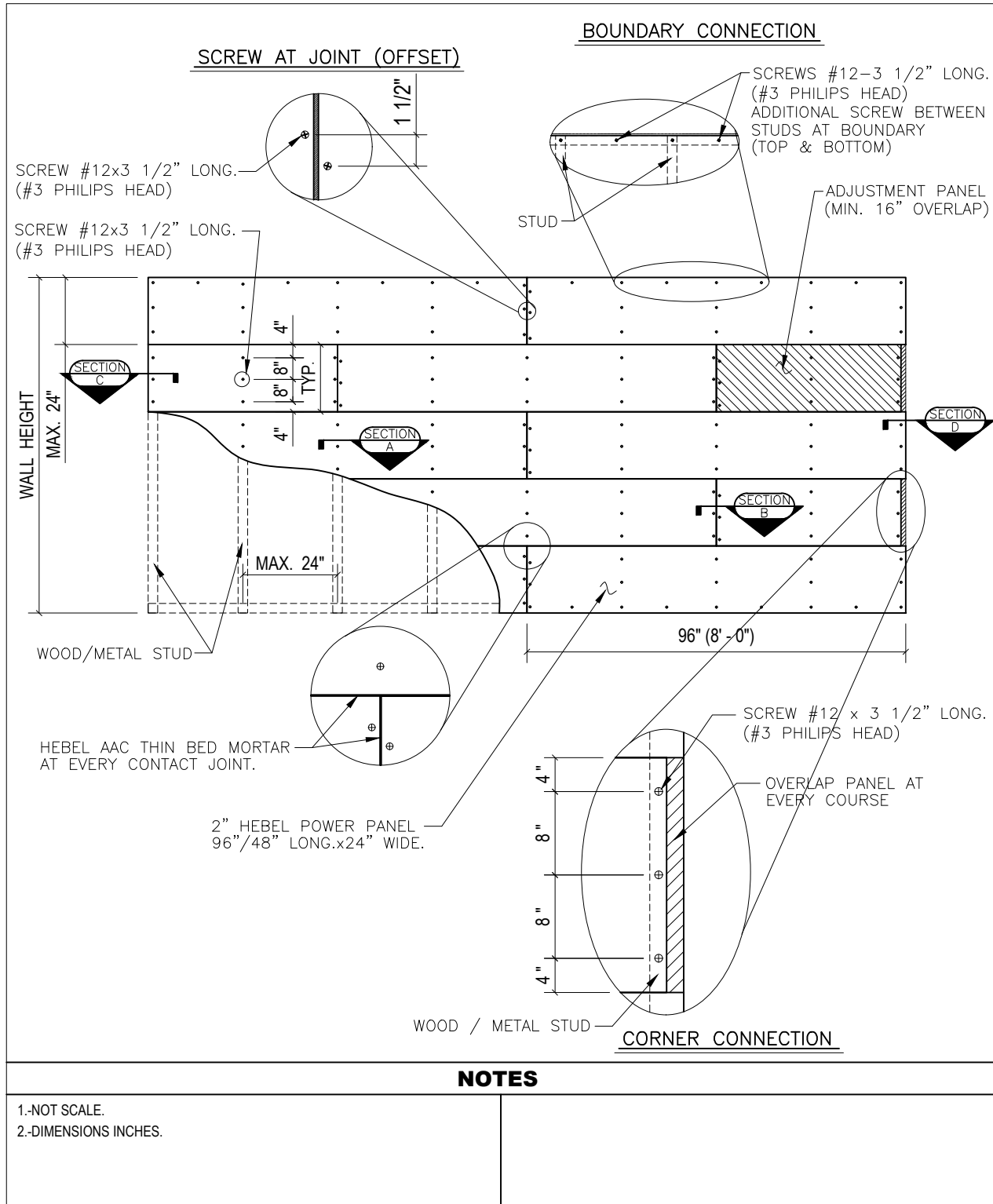
Río Amacuzac #1201 Ote. ■ Col. Valle Oriente ■ San Pedro Garza García, N.L. ■ México ■ 66269

Tel. +52 (81)8399-2464 +52 (81)8399-2462 Fax +52 (81)8399-2420

[www.hebel.mx](http://www.hebel.mx)

September 2020

## HEBEL POWER PANEL WALL SYSTEM LAYOUT



LITECRETE, S.A. DE C.V.

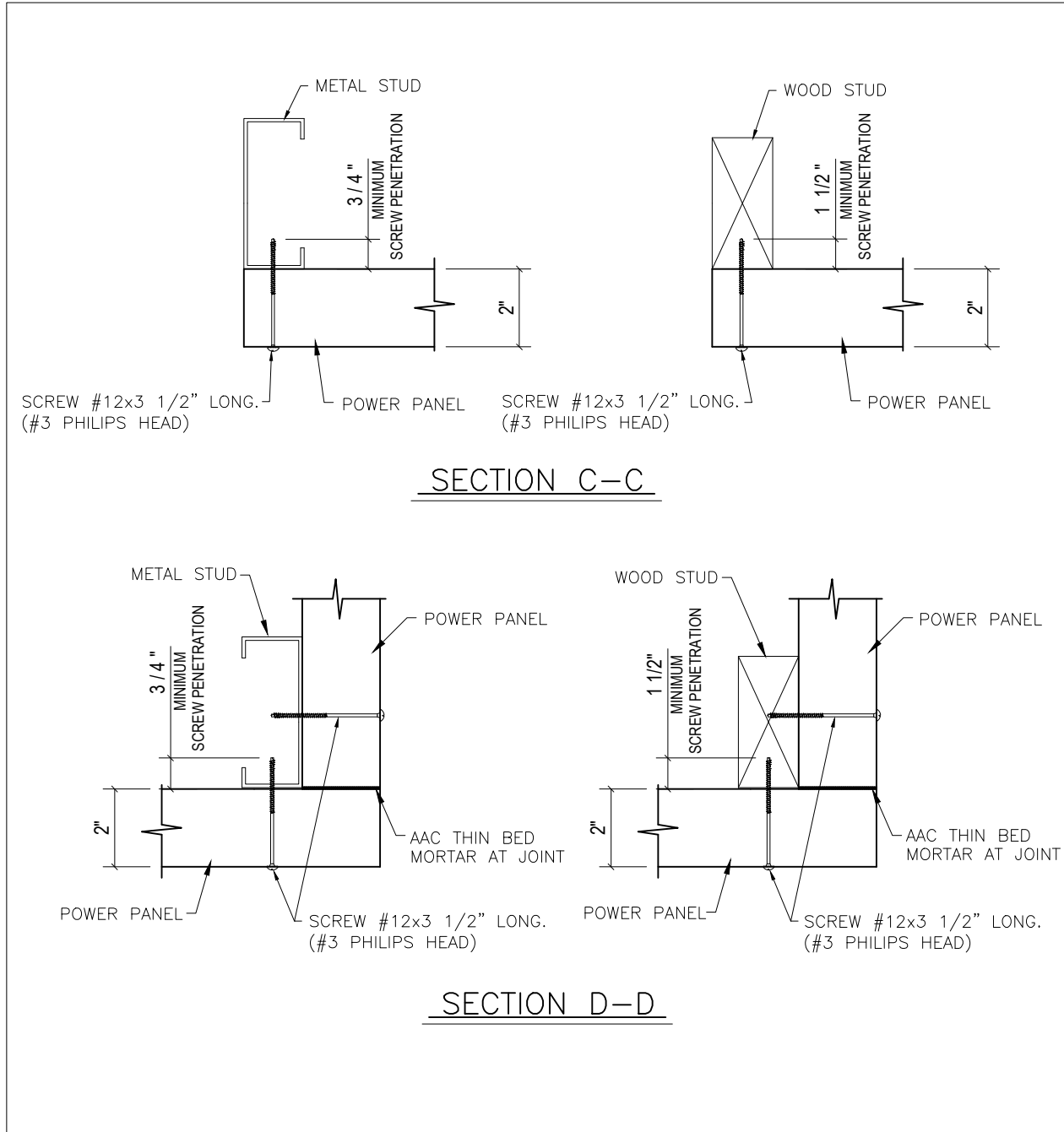
Río Amacuzac #1201 Ote. ■ Col. Valle Oriente ■ San Pedro Garza García, N.L. ■ México ■ 66269

Tel. +52 (81)8399-2464 +52 (81)8399-2462 Fax +52 (81)8399-2420

[www.hebel.mx](http://www.hebel.mx)

September 2020

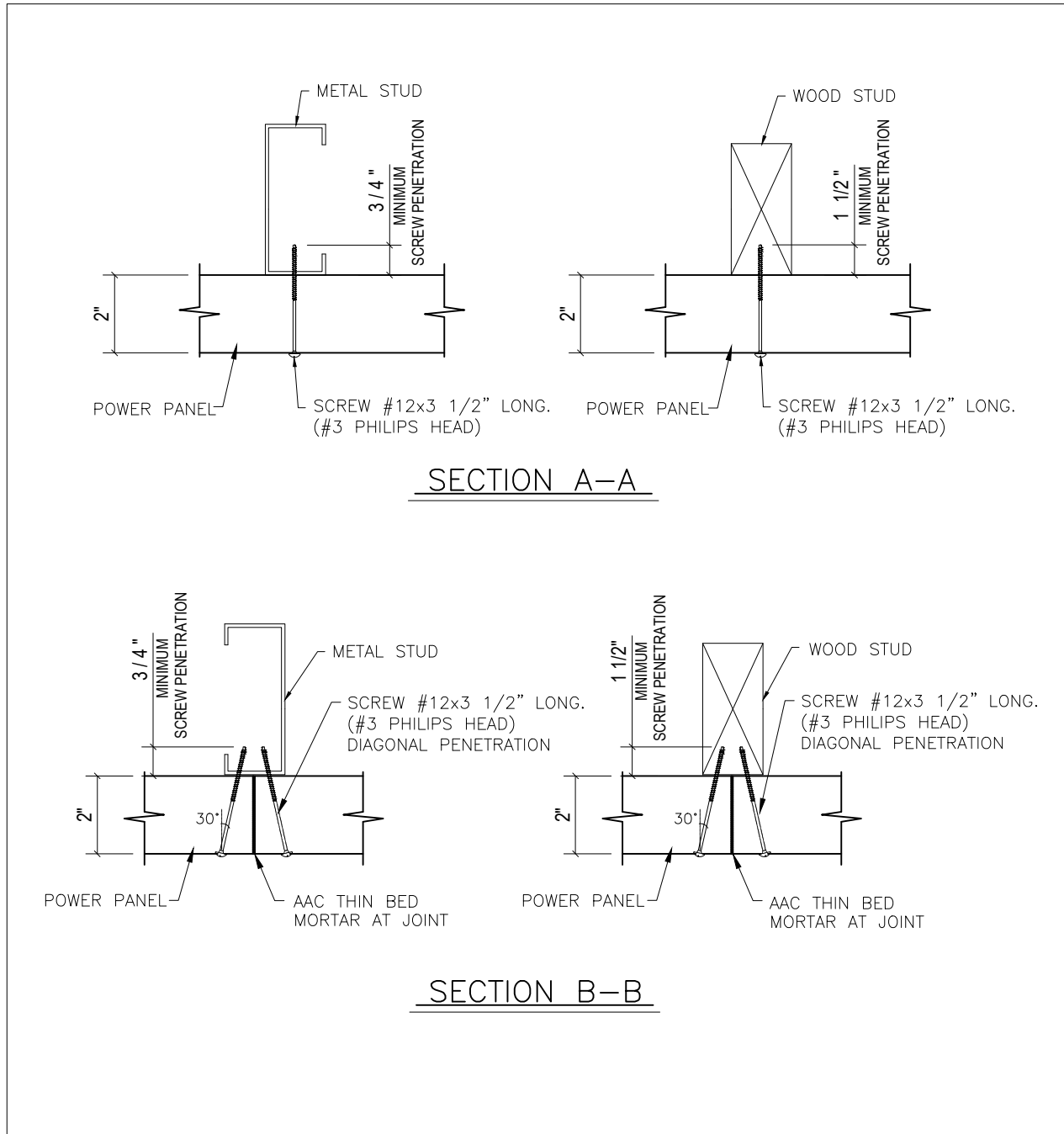
## HEBEL POWER PANEL SYSTEM CONNECTIONS



### NOTES

- 1.-NOT SCALE.
- 2.-DIMENSIONS INCHES.

## HEBEL POWER PANEL SYSTEM CONNECTIONS



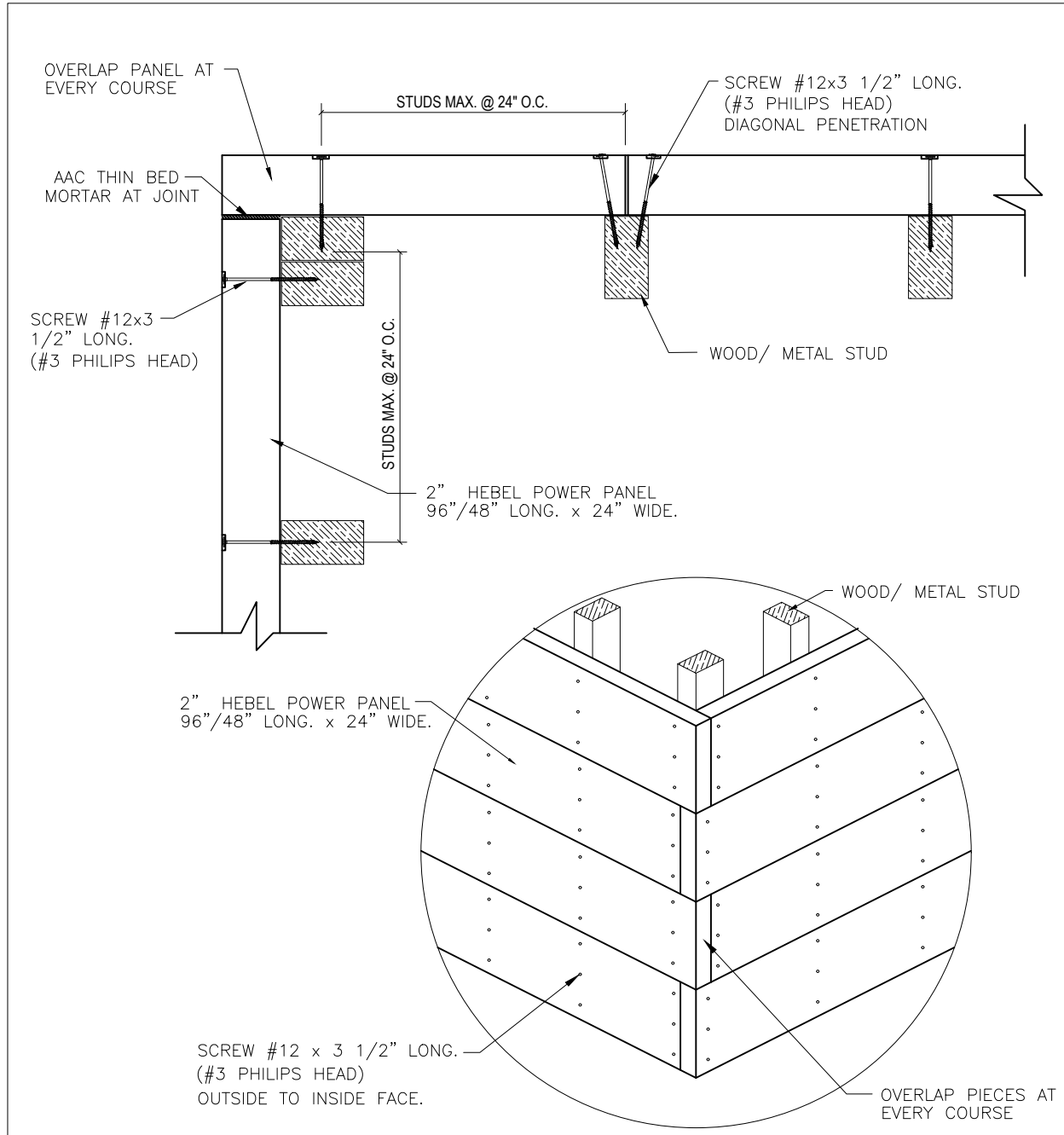
SECTION A-A

SECTION B-B

### NOTES

- 1.-NOT SCALE.
- 2.-DIMENSIONS INCHES.

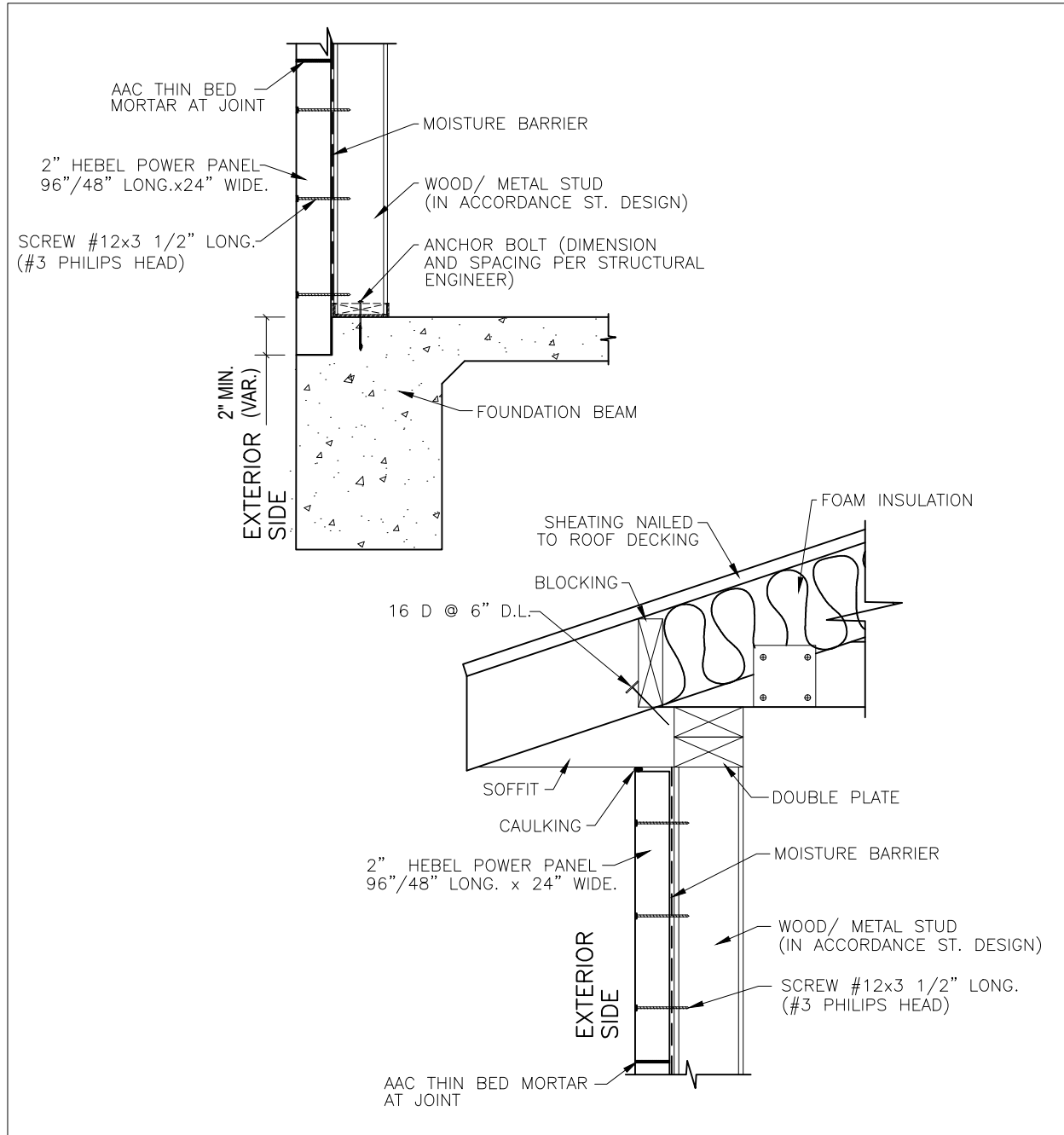
## HEBEL POWER PANEL SYSTEM -CORNER CONNECTION



### NOTES

- 1.-NOT SCALE.
- 2.-DIMENSIONS INCHES.

## HEBEL POWER PANEL SYSTEM - EXTERIOR WALL SECTIONS



### NOTES

- 1.-NOT SCALE.
- 2.-DIMENSIONS INCHES.

## Product Properties 1/2

1.0. GENERAL PROPERTIES.	
CHARACTERISTIC	AAC-4/500 (31 pcf) (1)
DESIGN WEIGHT (pcf)	37
MODULUS IF ELASTICITY (psi)	295,000
DRYING SHRINKAGE (in/ft)	0.0024 in/ft
THERMAL EXPANSION COEFFICIENT (1/°F)	$8 \times 10^{-6} \text{ 1/}^\circ\text{K}$
(1) MAXIMUM DRY DENSITY	

2.0. THERMAL PROPERTIES.		
MATERIAL	THICKNESS* in	THERMAL RESISTANCE "R" ft <sup>2</sup> h °F/Btu
PANEL CLASS AAC-4/500 DENSITY 32 pcf K= 0.9124 Btu in <sup>2</sup> /ft h °F	2 (1 15/16)	2.15
	3 (2 15/16)	3.24

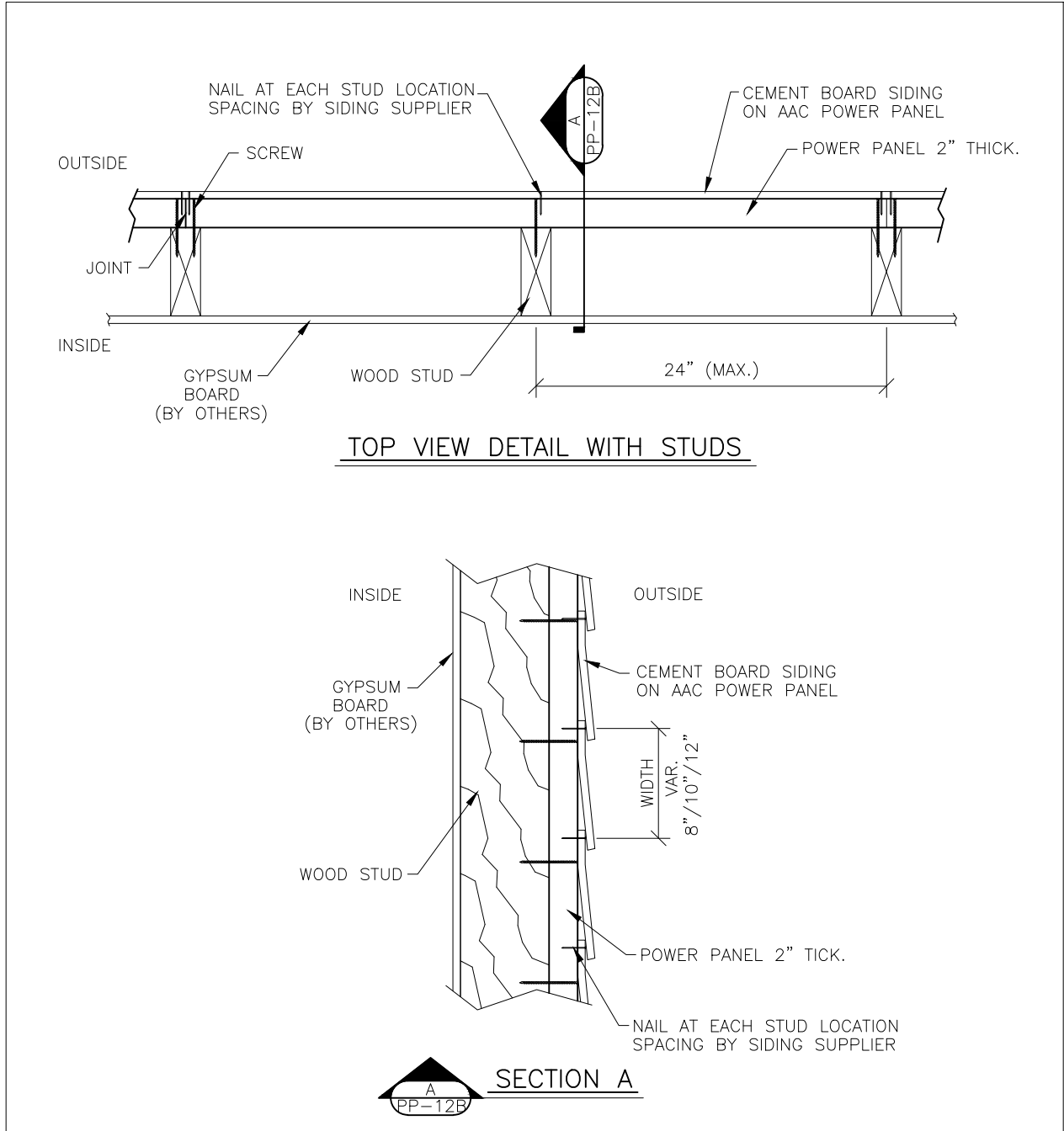
3.0. PHYSICS PROPERTIES.					
THICKNESS in	LENGTH ft	DESIGN WEIGHT		PIECES PER PALLET	AREA COVERED PER PIECE ft <sup>2</sup>
		psf	lb/piece		
2 (1 15/16)	8	6.1	97.6	16	16
	3 (2 15/16)				
3 (2 15/16)	8	9.10	145.6	10	
	10		182.0		

4.0. FIRE RESISTANCE PROPERTIES.			
MATERIAL	THICKNESS* in	FIRE RATING Hrs.	UL DESIGN NUMBERS (UL Fire Resistance Directory)
AAC-4/500 POWER PANEL (WOOD FRAME ASSEMBLY)	3	1	U358
AAC-4/500 POWER PANEL (METAL FRAME ASSEMBLY)	3	2	V420
AAC-4/500 POWER PANEL (WOOD / METAL FRAME)	2	1 TO 2	U214

### NOTES

- 1.-NOT SCALE.
- 2.-DIMENSIONS INCHES.
- 3.-STEEL REINFORCEMENT IN POWER PANEL FY=70 ksi
- 4.- AAC STRENGTH CLASS AAC-4/500- F<sub>aac</sub>= 580 psi.

## Cement Board as siding on AAC Power Panel



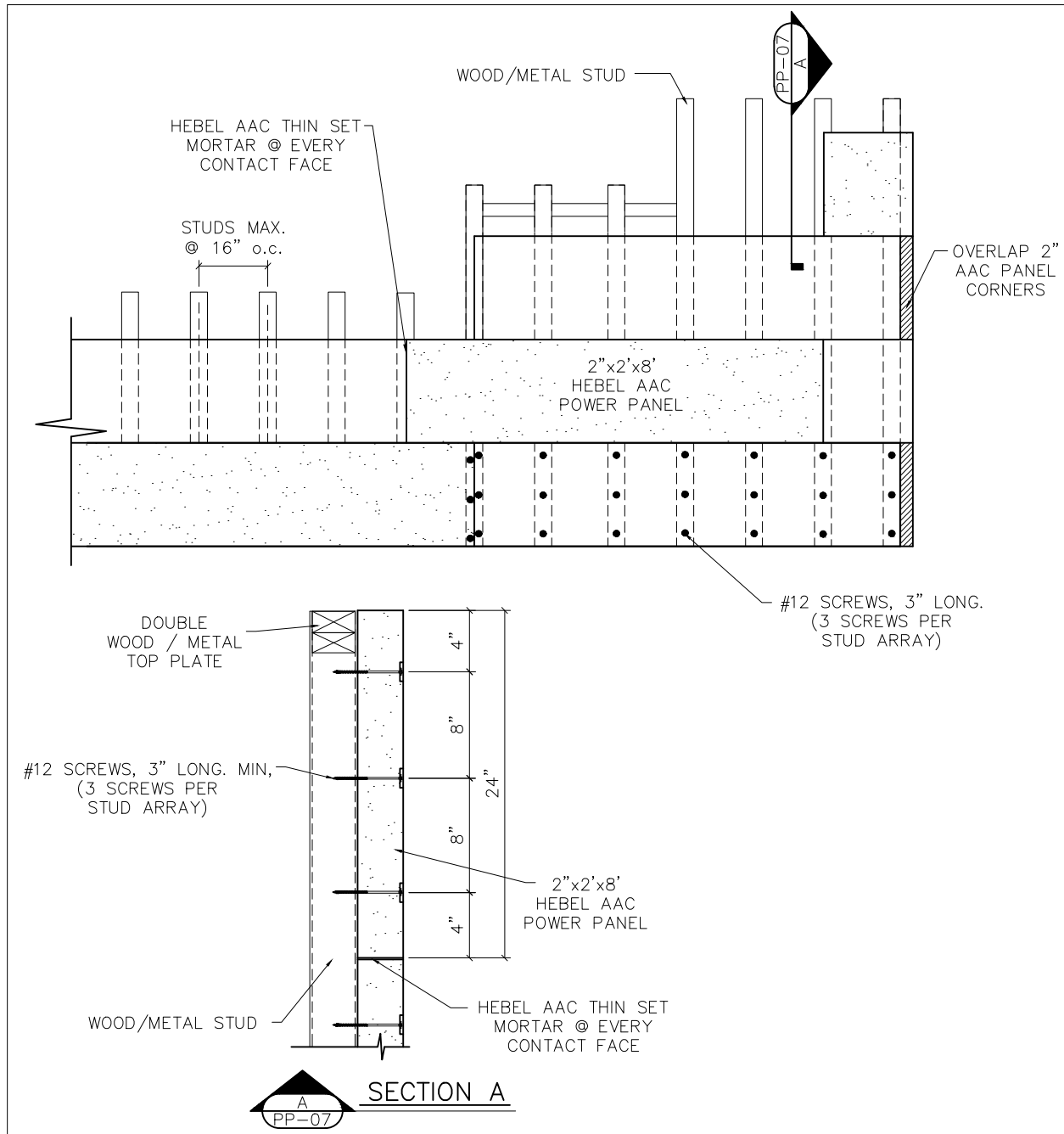
### NOTES

- 1.-NOT SCALE
- 2.-DIMENSIONS INCHES
- 3.-SEE CEMENT BOARD TECHNICAL SHEET PROVIDED BY SUPPLIER (DIMENSIONS)
- 4.- USE SCREW TYPE DESKFAST #12

- 5.- SEE POWER PANEL INSTALLATION GUIDE TO CONNECT TO WOOD FRAMMING.



## Typical Wall System (2")



### NOTES

- 1.-NOT SCALE.
- 2.-DIMENSIONS INCHES.
- 3.-STEEL REINFORCEMENT IN POWER PANEL FY=70 ksi
- 4.- AAC STRENGTH CLASS AAC-4/500- F<sub>aac</sub>= 580 psi.

LITECRETE, S.A. DE C.V.

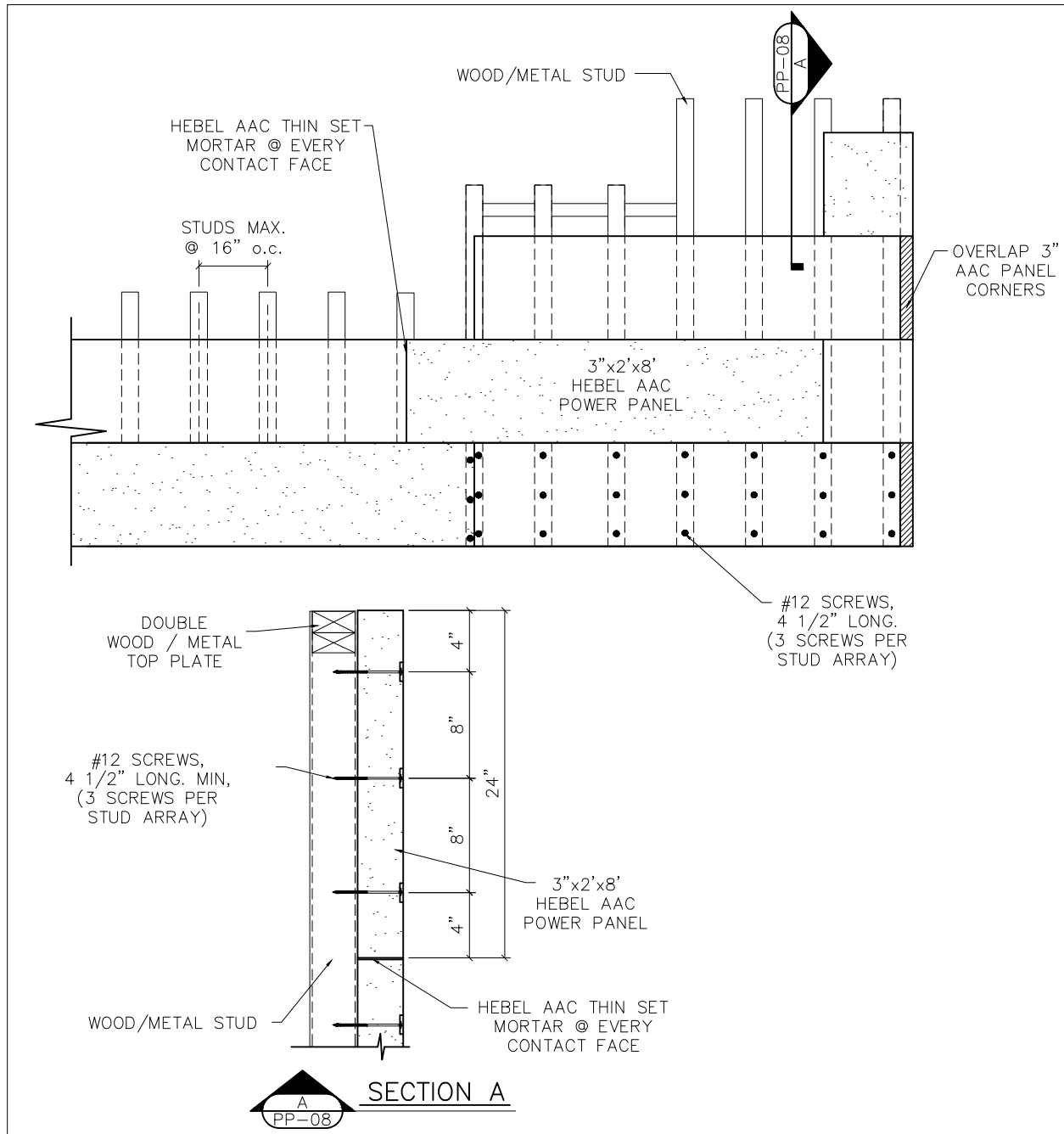
Río Amacuzac #1201 Ote. ■ Col. Valle Oriente ■ San Pedro Garza García, N.L. ■ México ■ 66269

Tel. +52 (81)8399-2464 +52 (81)8399-2462 Fax +52 (81)8399-2420

[www.hebel.mx](http://www.hebel.mx)

September 2020

## Typical Wall System (3")



### NOTES

- 1.-NOT SCALE.
- 2.-DIMENSIONS INCHES.
- 3.-STEEL REINFORCEMENT IN POWER PANEL FY=70 ksi
- 4.- AAC STRENGTH CLASS AAC-4/500- F<sub>aac</sub>= 580 psi.

LITECRETE, S.A. DE C.V.

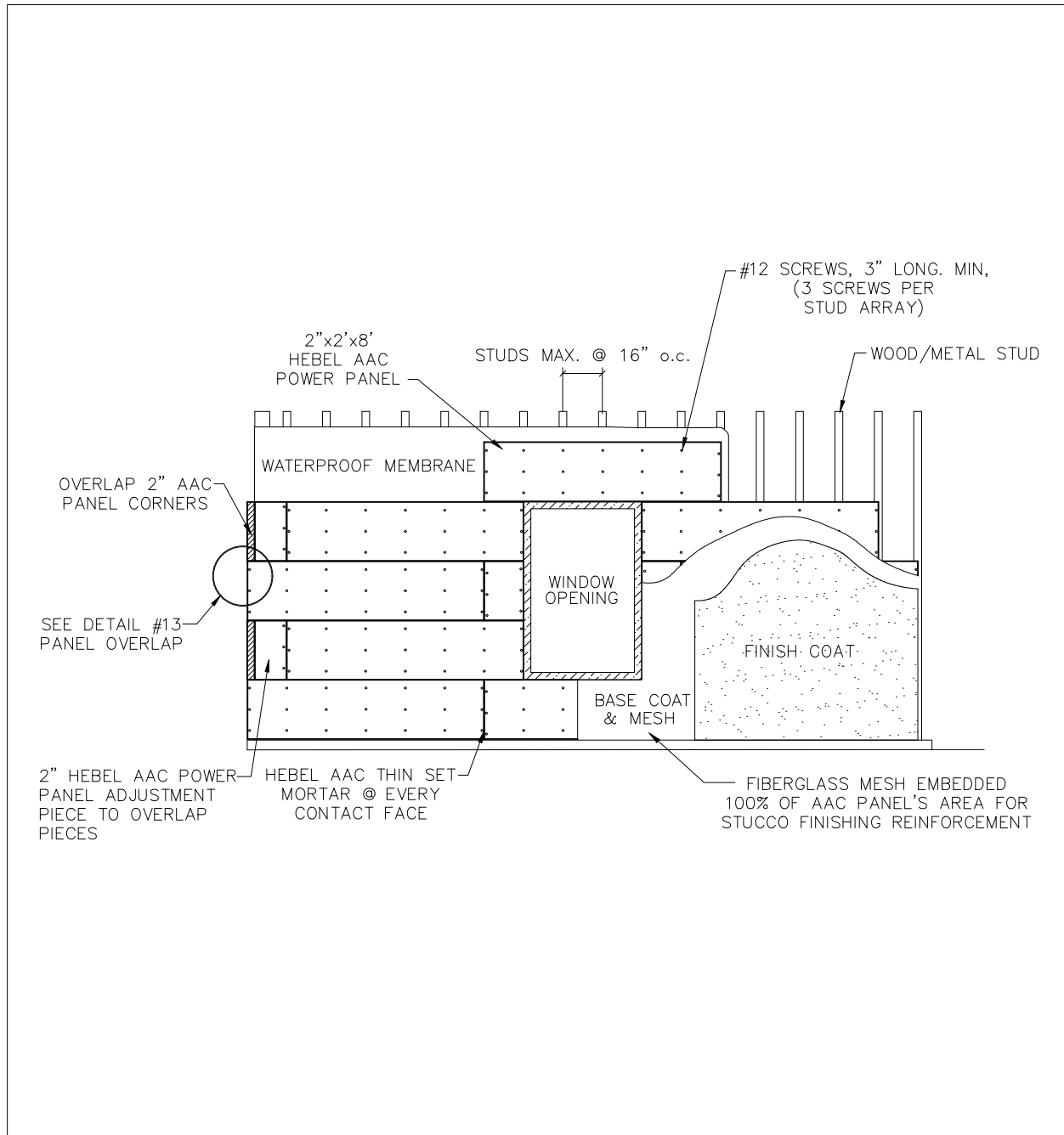
Río Amacuzac #1201 Ote. ■ Col. Valle Oriente ■ San Pedro Garza García, N.L. ■ México ■ 66269

Tel. +52 (81)8399-2464 +52 (81)8399-2462 Fax +52 (81)8399-2420

[www.hebel.mx](http://www.hebel.mx)

September 2020

## Typical Window Opening and Finishing (2")



### NOTES

- 1.-NOT SCALE.
- 2.-DIMENSIONS INCHES.
- 3.-STEEL REINFORCEMENT IN POWER PANEL  $F_y=70$  ksi
- 4.- AAC STRENGTH CLASS AAC-4/500-  $F_{aac}=580$  psi.

LITECRETE, S.A. DE C.V.

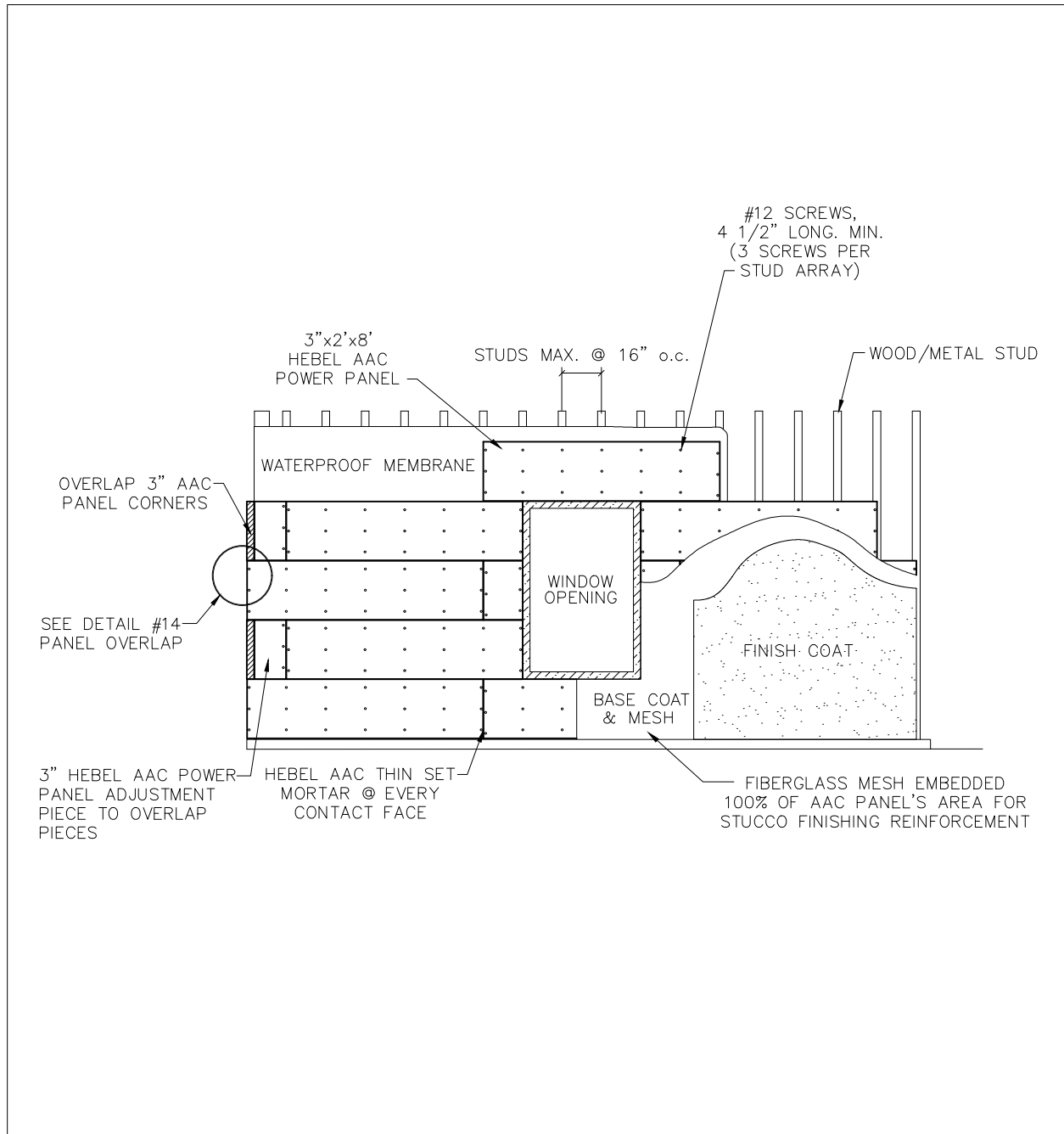
Rio Amacuzac #1201 Ote. ■ Col. Valle Oriente ■ San Pedro Garza García, N.L. ■ México ■ 66269

Tel. +52 (81)8399-2464 +52 (81)8399-2462 Fax +52 (81)8399-2420

[www.hebel.mx](http://www.hebel.mx)

September 2020

## Typical Window Opening and Finishing (3")



### NOTES

- 1.-NOT SCALE.
- 2.-DIMENSIONS INCHES.
- 3.-STEEL REINFORCEMENT IN POWER PANEL FY=70 ksi
- 4.- AAC STRENGTH CLASS AAC-4/500- F<sub>aac</sub>= 580 psi.

LITECRETE, S.A. DE C.V.

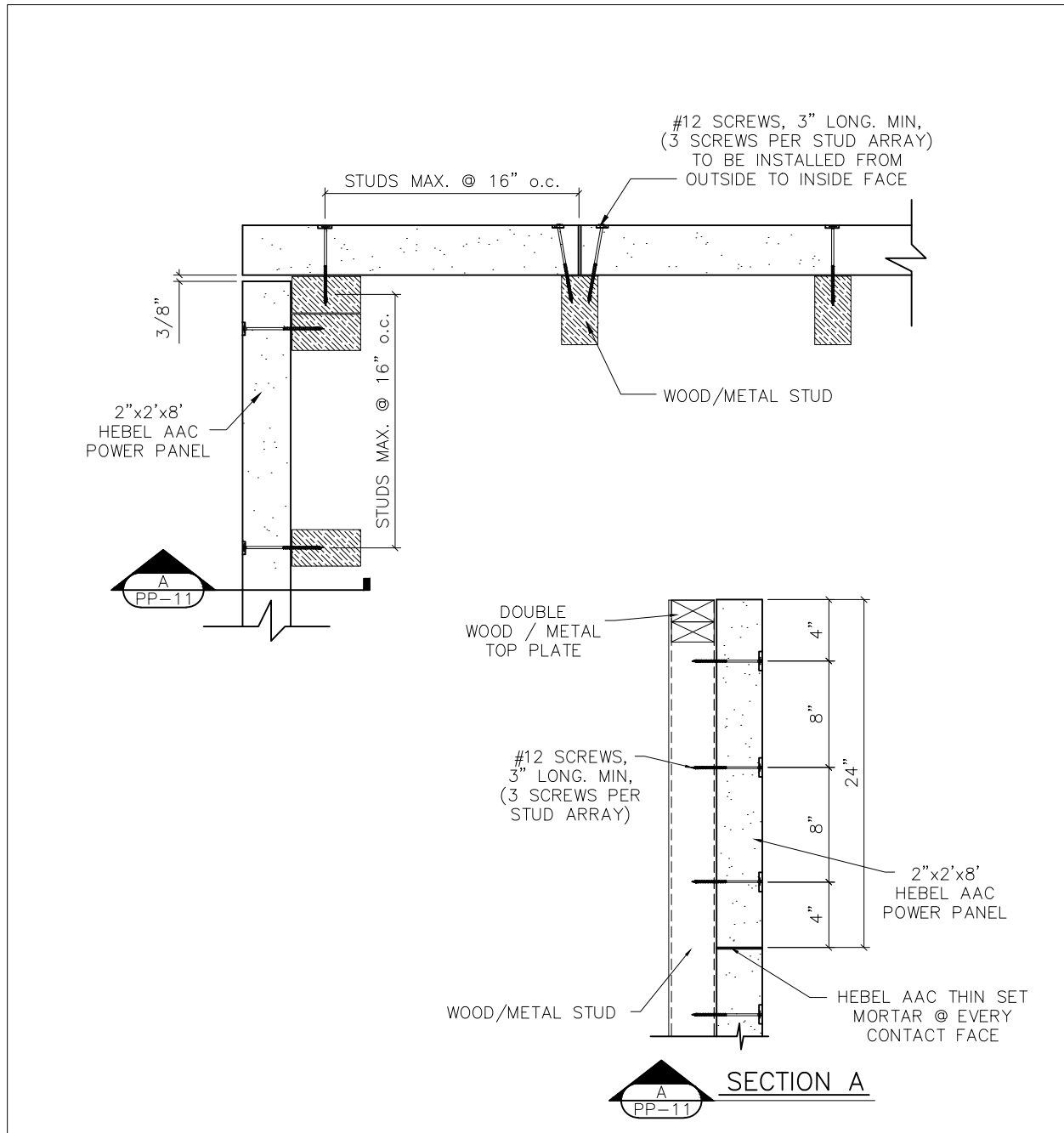
Rio Amacuzac #1201 Ote. ■ Col. Valle Oriente ■ San Pedro Garza García, N.L. ■ México ■ 66269

Tel. +52 (81)8399-2464 +52 (81)8399-2462 Fax +52 (81)8399-2420

[www.hebel.mx](http://www.hebel.mx)

September 2020

## AAC Power Panel Corner Detail (2")



### NOTES

- 1.-NOT SCALE.
- 2.-DIMENSIONS INCHES.
- 3.-STEEL REINFORCEMENT IN POWER PANEL FY=70 ksi
- 4.- AAC STRENGTH CLASS AAC-4/500- F<sub>aac</sub>= 580 psi.

LITECRETE, S.A. DE C.V.

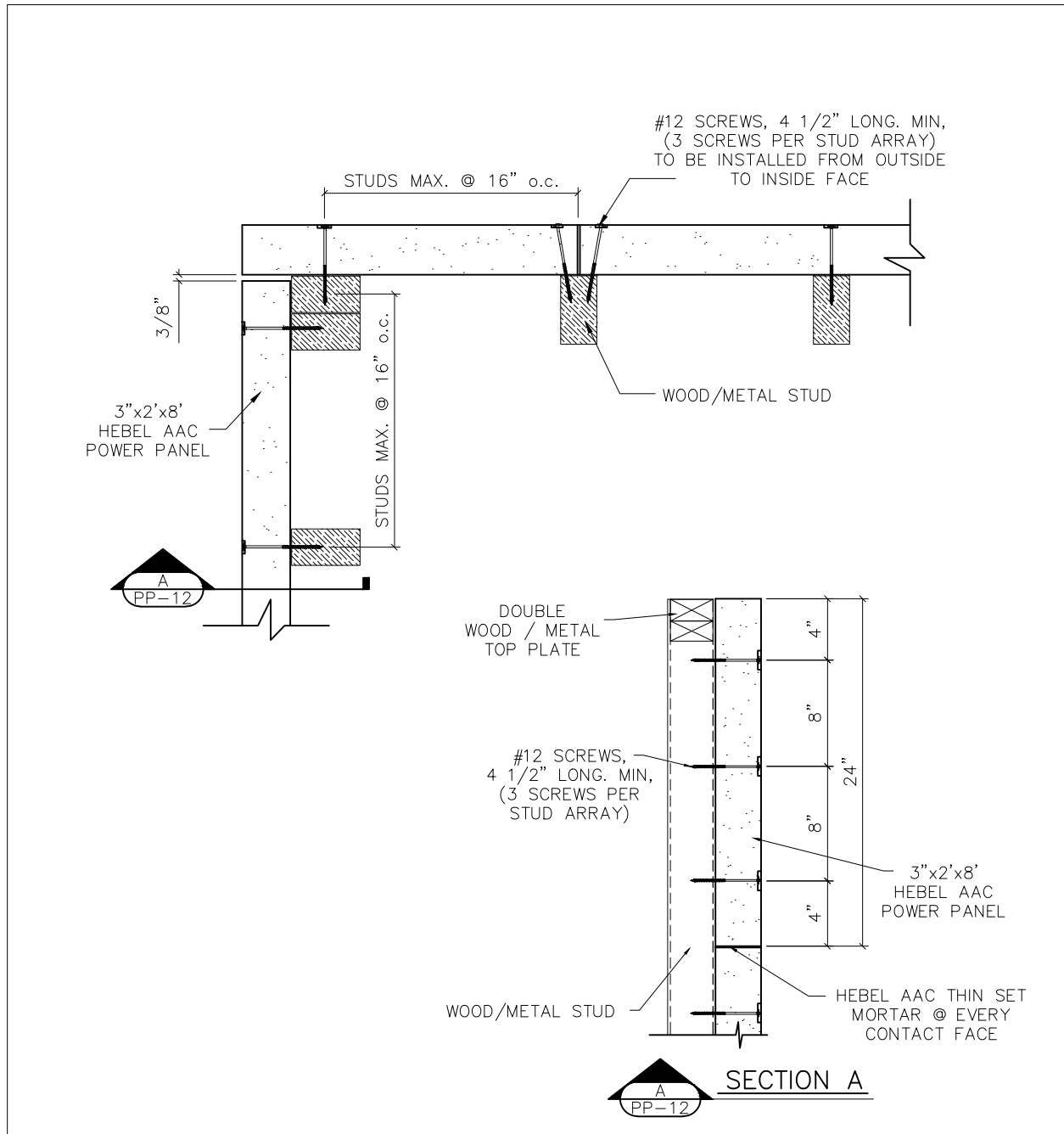
Río Amacuzac #1201 Ote. ■ Col. Valle Oriente ■ San Pedro Garza García, N.L. ■ México ■ 66269

Tel. +52 (81)8399-2464 +52 (81)8399-2462 Fax +52 (81)8399-2420

[www.hebel.mx](http://www.hebel.mx)

September 2020

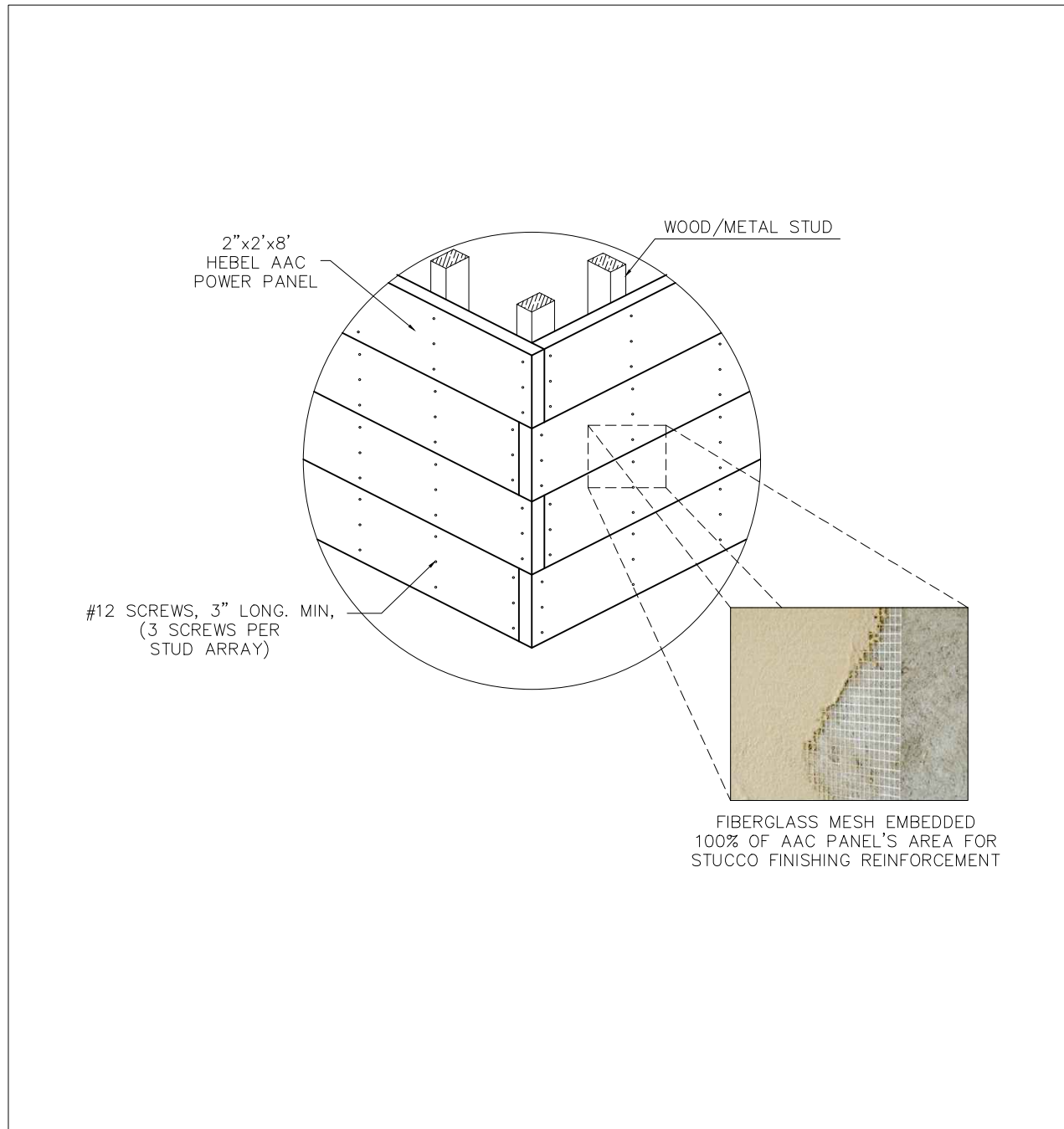
## AAC Power Panel Corner Detail (3")



### NOTES

- 1.-NOT SCALE.
- 2.-DIMENSIONS INCHES.
- 3.-STEEL REINFORCEMENT IN POWER PANEL FY=70 ksi
- 4.- AAC STRENGTH CLASS AAC-4/500- F<sub>aac</sub>= 580 psi.

## Panel Overlap On Corners (2")



### NOTES

- 1.-NOT SCALE.
- 2.-DIMENSIONS INCHES.
- 3.-STEEL REINFORCEMENT IN POWER PANEL  $FY=70$  ksi
- 4.- AAC STRENGTH CLASS AAC-4/500-  $F'_{aac}= 580$  psi.

LITECRETE, S.A. DE C.V.

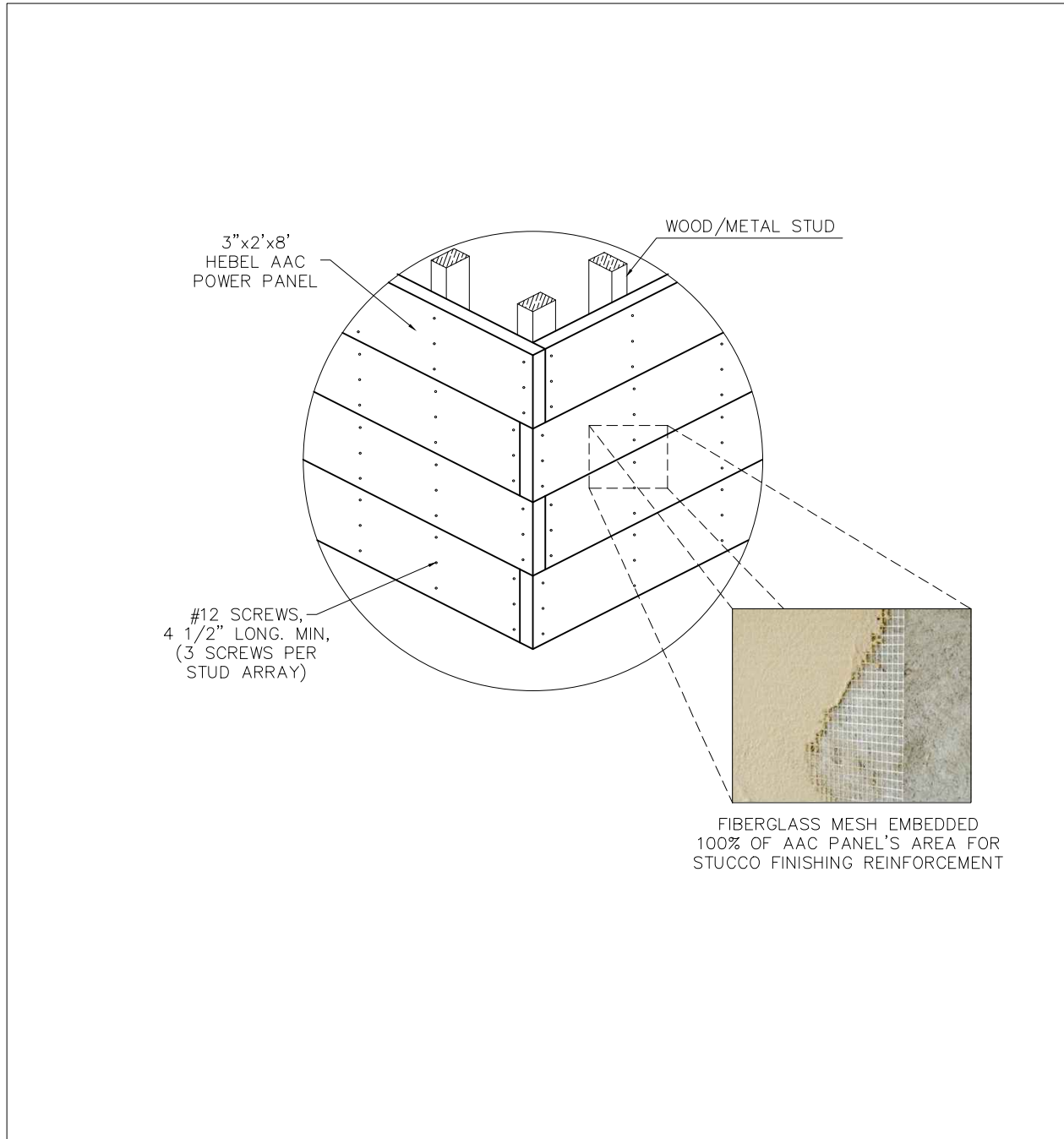
Río Amacuzac #1201 Ote. ■ Col. Valle Oriente ■ San Pedro Garza García, N.L. ■ México ■ 66269

Tel. +52 (81)8399-2464 +52 (81)8399-2462 Fax +52 (81)8399-2420

[www.hebel.mx](http://www.hebel.mx)

September 2020

## Panel Overlap On Corners (3")



### NOTES

- 1.-NOT SCALE.
- 2.-DIMENSIONS INCHES.
- 3.-STEEL REINFORCEMENT IN POWER PANEL FY=70 ksi
- 4.- AAC STRENGTH CLASS AAC-4/500- F'aac= 580 psi.

LITECRETE, S.A. DE C.V.

Río Amacuzac #1201 Ote. ■ Col. Valle Oriente ■ San Pedro Garza García, N.L. ■ México ■ 66269

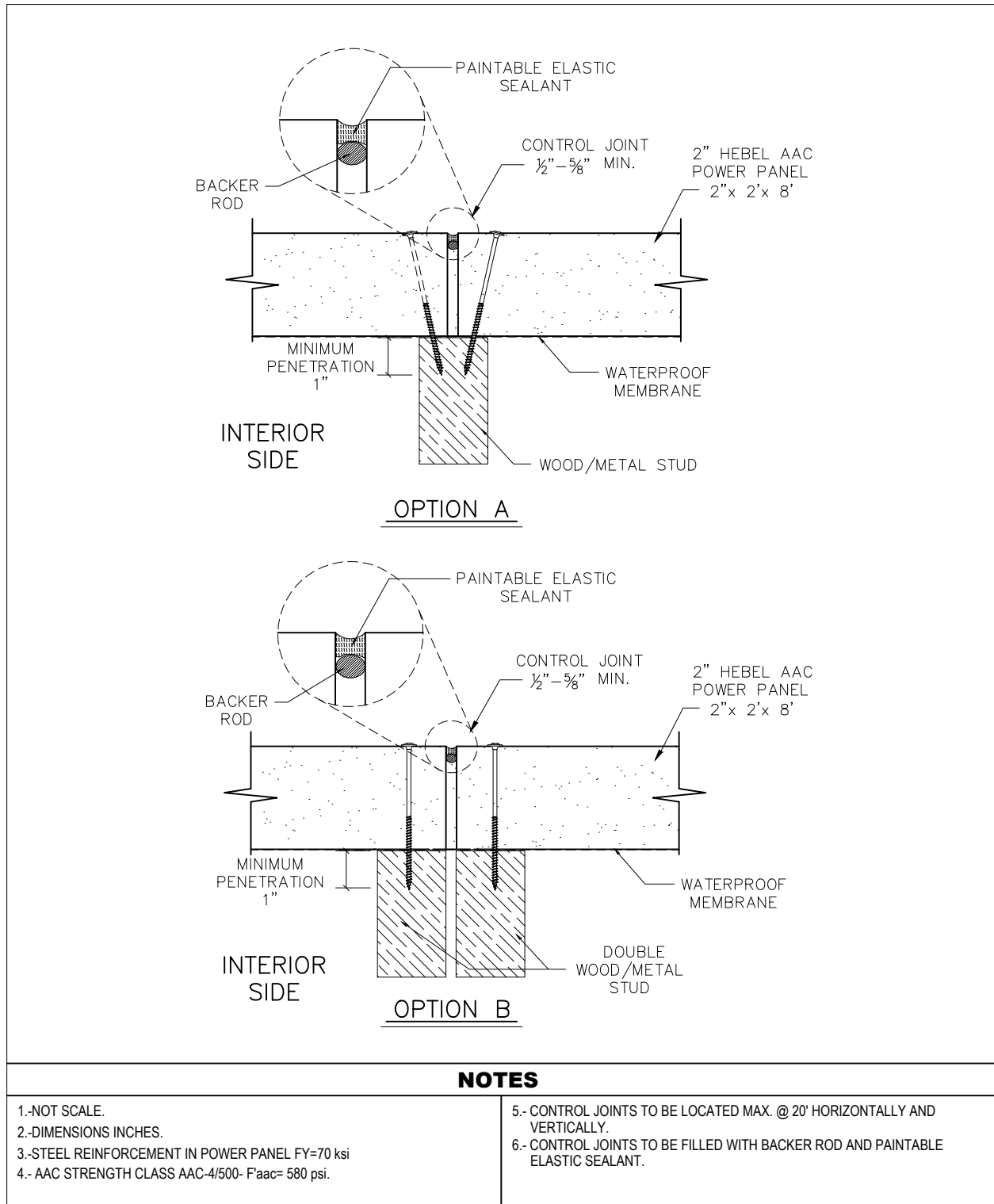
Tel. +52 (81)8399-2464 +52 (81)8399-2462 Fax +52 (81)8399-2420

[www.hebel.mx](http://www.hebel.mx)

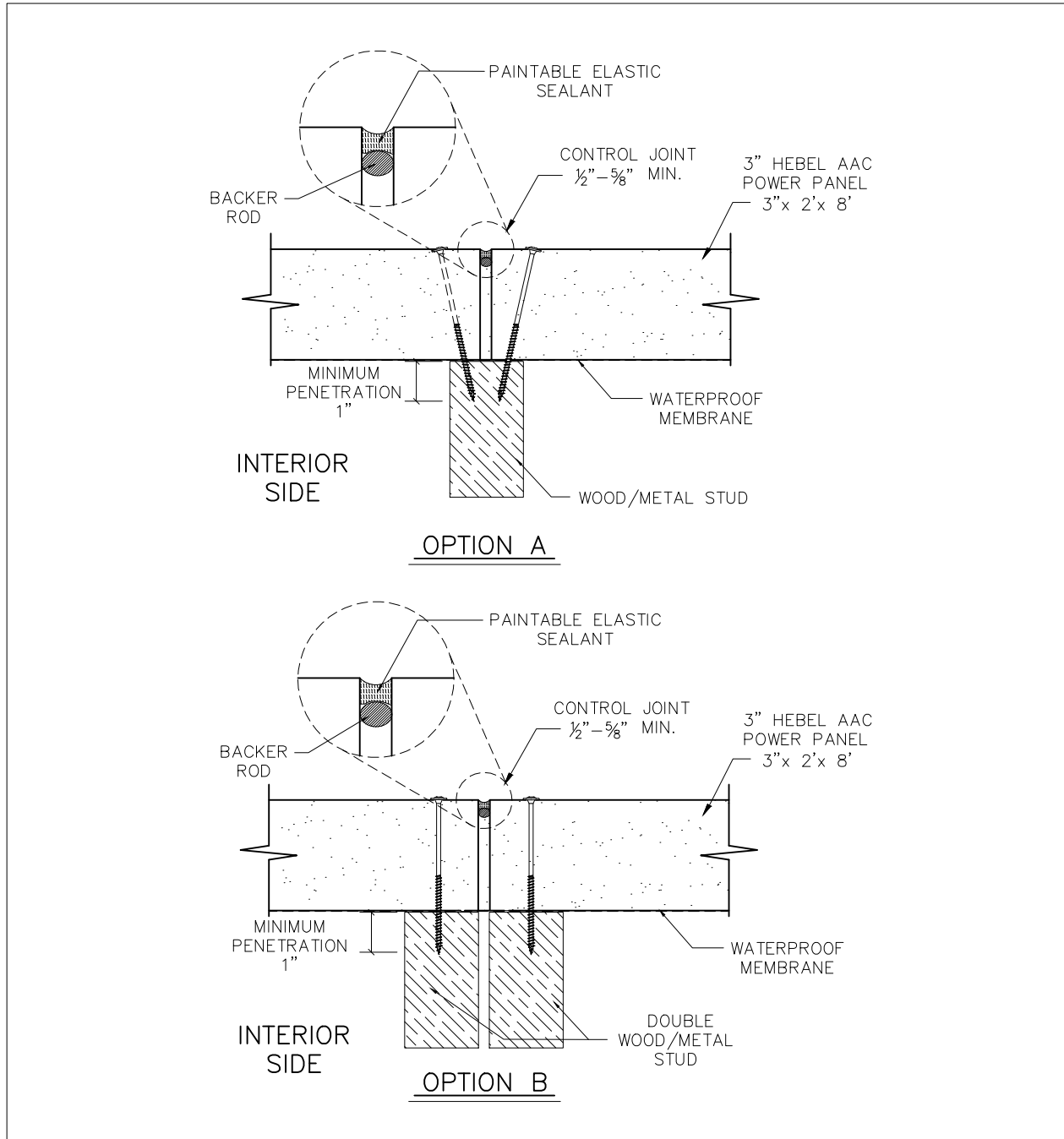
September 2020



## Control Joint Top View (2")



## Control Joint Top View (3")

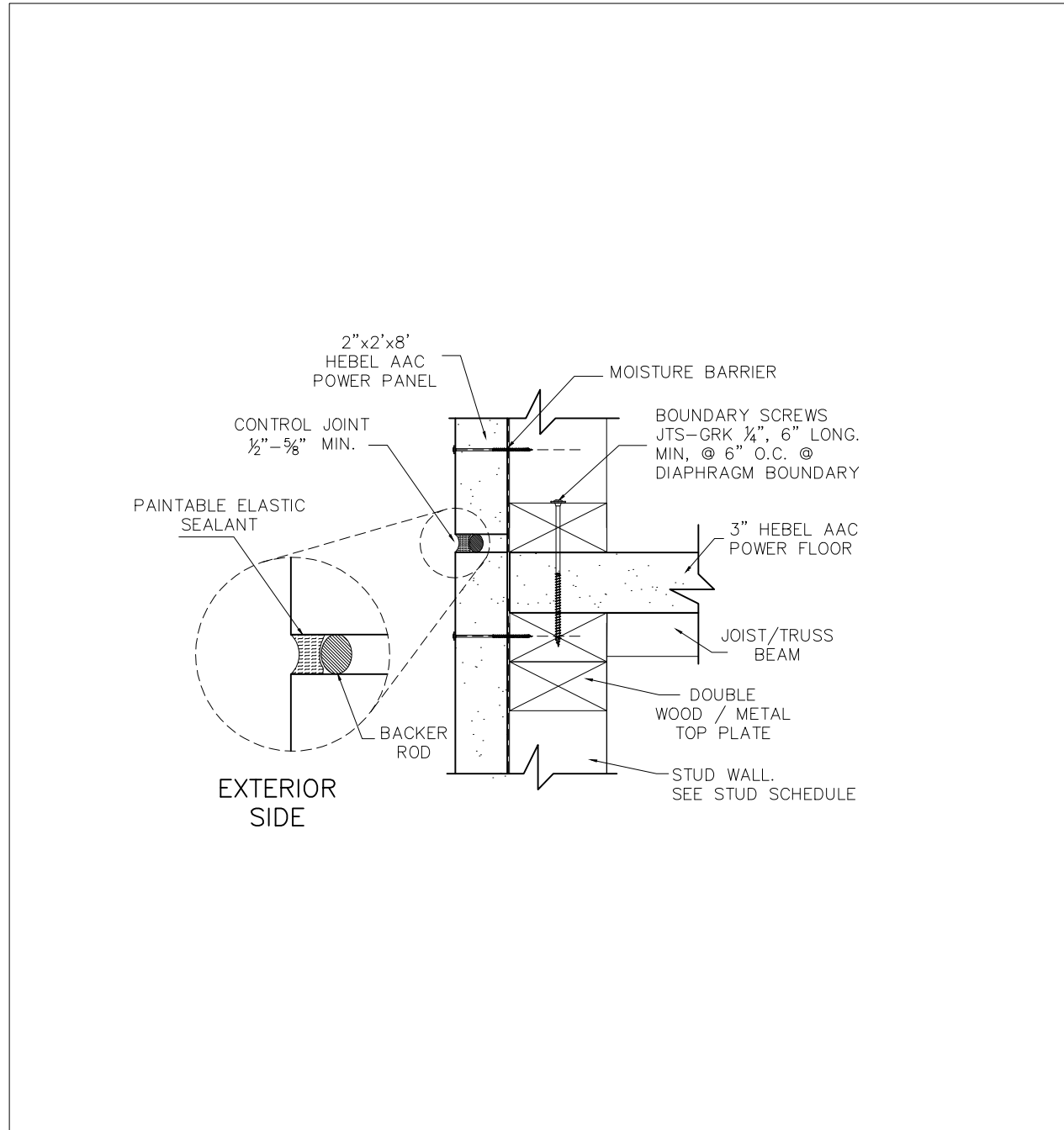


### NOTES

- 1.-NOT SCALE.
- 2.-DIMENSIONS INCHES.
- 3.-STEEL REINFORCEMENT IN POWER PANEL FY=70 ksi
- 4.- AAC STRENGTH CLASS AAC-4/500- F'aac= 580 psi.

- 5.- CONTROL JOINTS TO BE LOCATED MAX. @ 20' HORIZONTALLY AND VERTICALLY.
- 6.- CONTROL JOINTS TO BE FILLED WITH BACKER ROD AND PAINTABLE ELASTIC SEALANT.

## Control Joint Section View (2")



### NOTES

- 1.-NOT SCALE.
- 2.-DIMENSIONS INCHES.
- 3.-STEEL REINFORCEMENT IN POWER PANEL FY=70 ksi
- 4.- AAC STRENGTH CLASS AAC-4/500- F'aac= 580 psi.

- 5.- CONTROL JOINTS TO BE LOCATED MAX. @ 20' HORIZONTALLY AND VERTICALLY.
- 6.- CONTROL JOINTS TO BE FILLED WITH BACKER ROD AND PAINTABLE ELASTIC SEALANT.

LITECRETE, S.A. DE C.V.

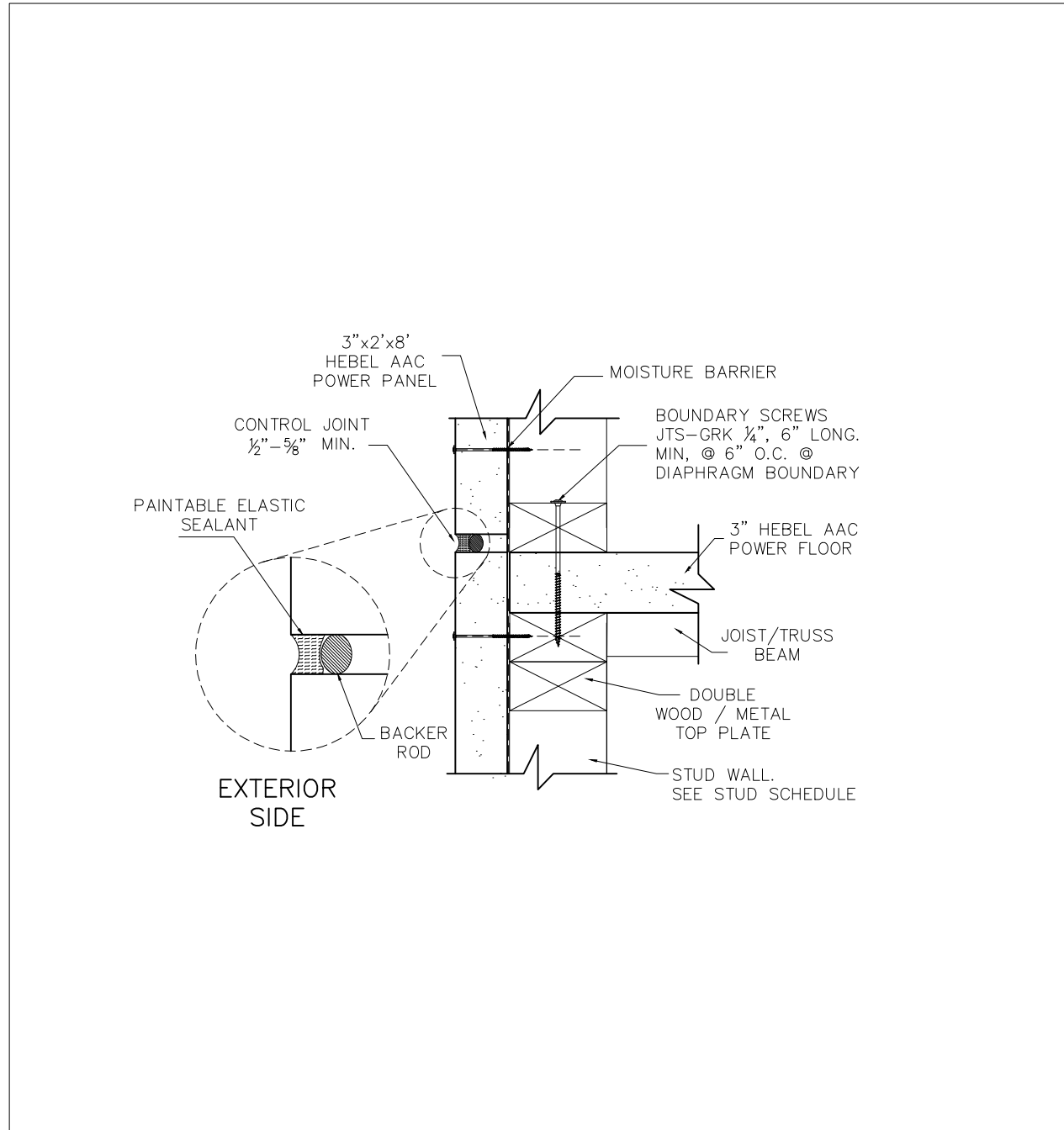
Río Amacuzac #1201 Ote. ■ Col. Valle Oriente ■ San Pedro Garza García, N.L. ■ México ■ 66269

Tel. +52 (81)8399-2464 +52 (81)8399-2462 Fax +52 (81)8399-2420

[www.hebel.mx](http://www.hebel.mx)

September 2020

## Control Joint Section View (3")



### NOTES

- 1.-NOT SCALE.
- 2.-DIMENSIONS INCHES.
- 3.-STEEL REINFORCEMENT IN POWER PANEL FY=70 ksi
- 4.- AAC STRENGTH CLASS AAC-4/500- F'aac= 580 psi.

- 5.- CONTROL JOINTS TO BE LOCATED MAX. @ 20' HORIZONTALLY AND VERTICALLY.
- 6.- CONTROL JOINTS TO BE FILLED WITH BACKER ROD AND PAINTABLE ELASTIC SEALANT.

LITECRETE, S.A. DE C.V.

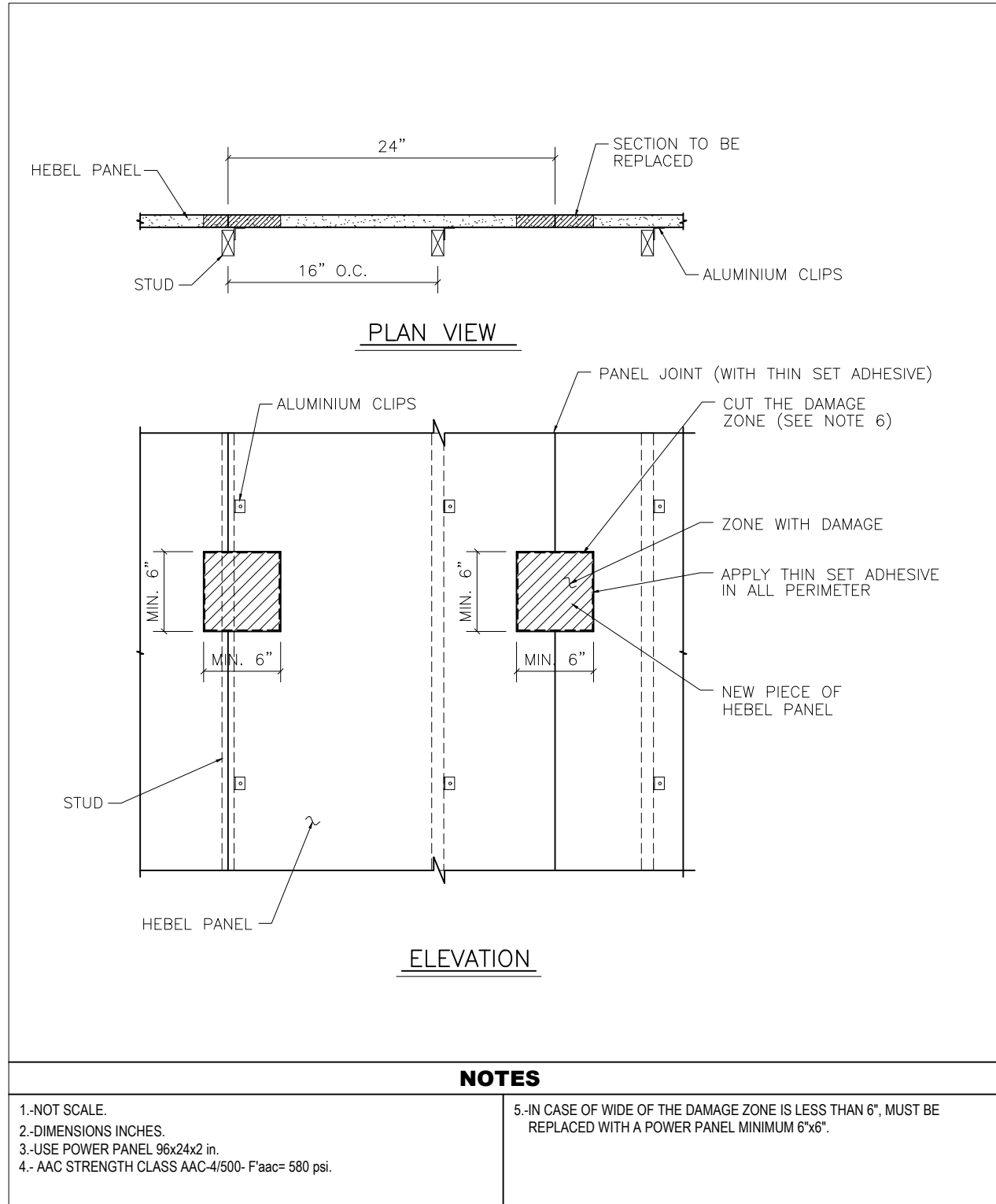
Río Amacuzac #1201 Ote. ■ Col. Valle Oriente ■ San Pedro Garza García, N.L. ■ México ■ 66269

Tel. +52 (81)8399-2464 +52 (81)8399-2462 Fax +52 (81)8399-2420

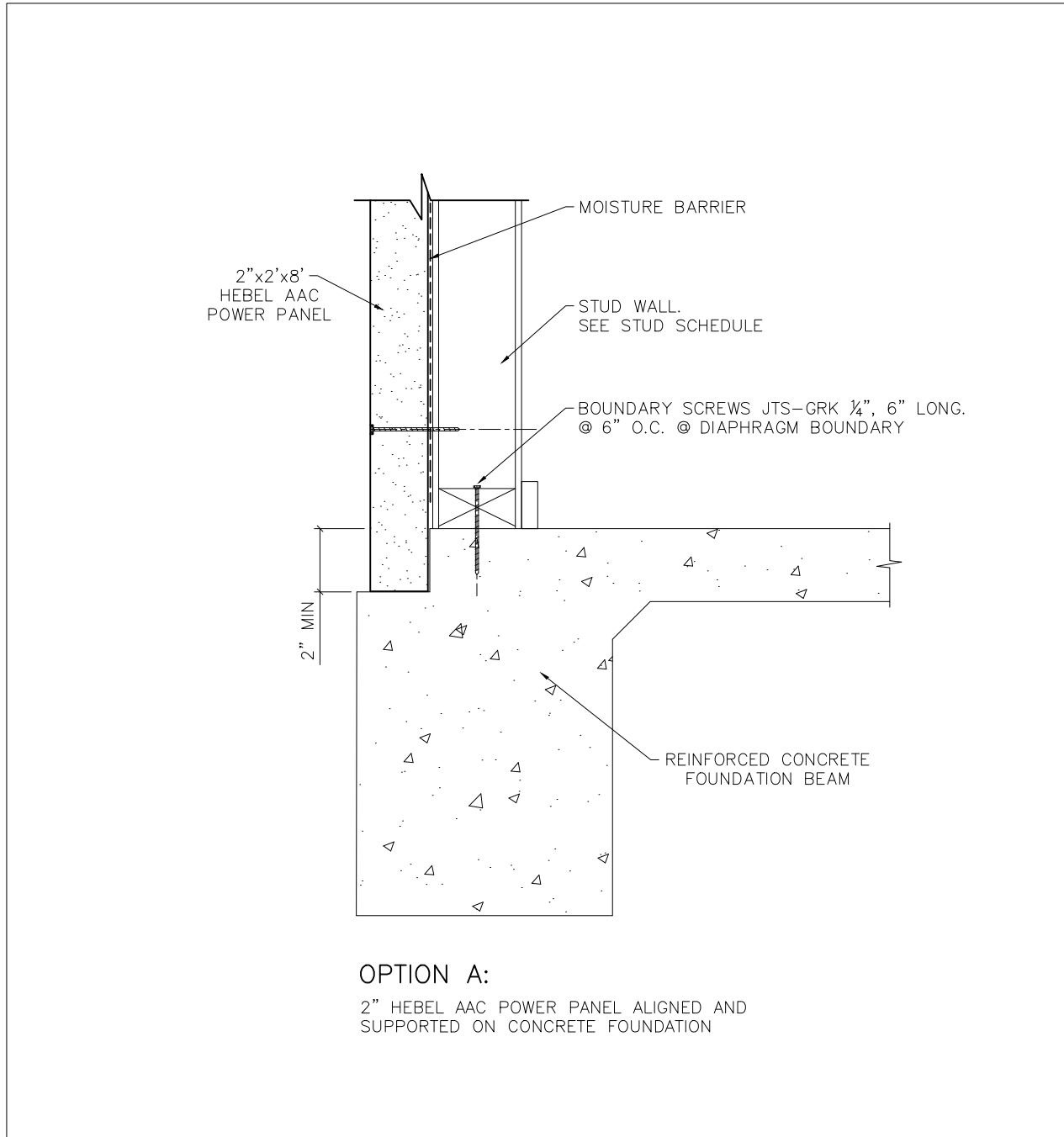
[www.hebel.mx](http://www.hebel.mx)

September 2020

## Power Panel - Patching & Section Replacement



## Typ. Stepdown Section (2")

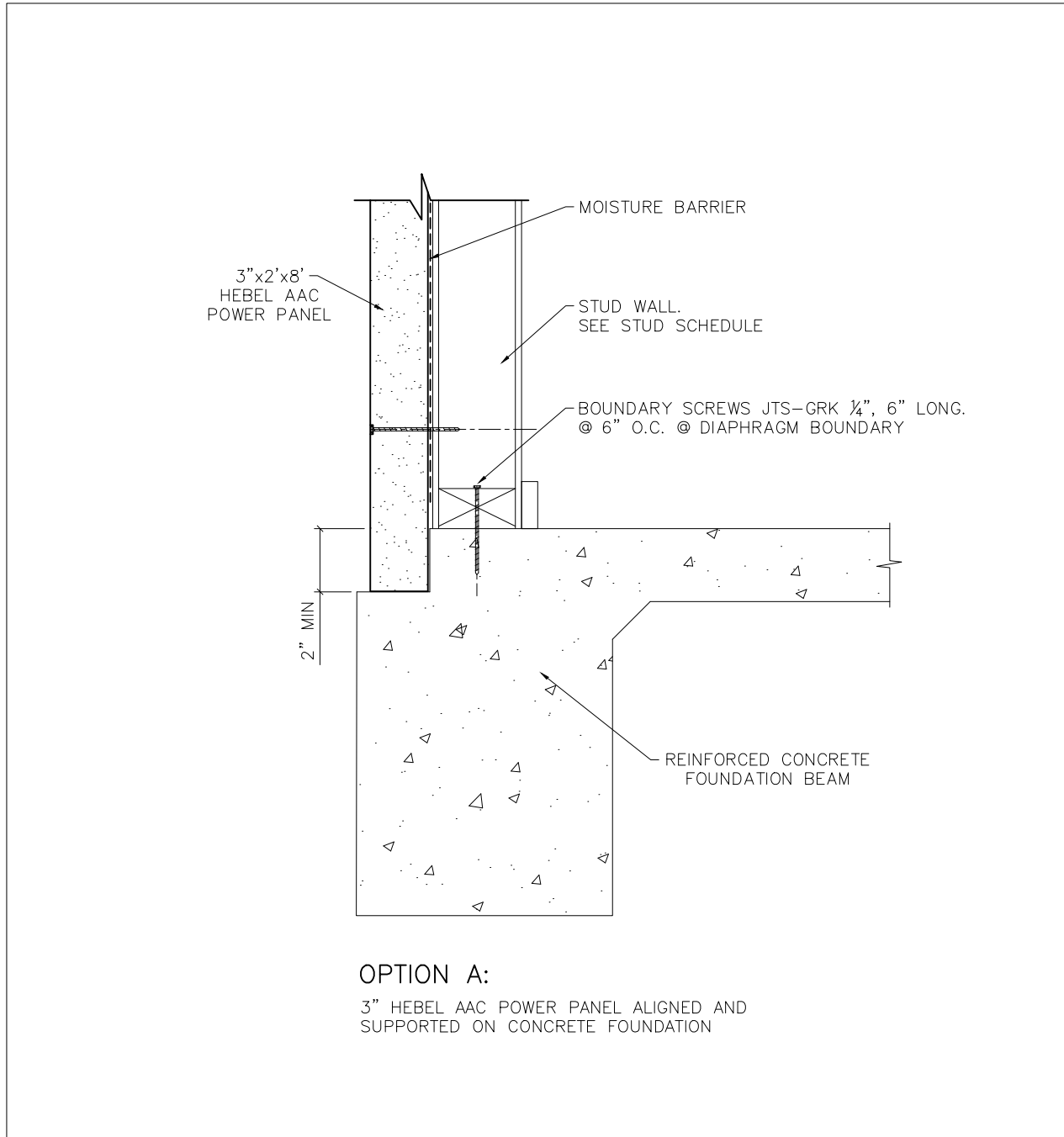


### NOTES

- 1.-NOT SCALE
- 2.-DIMENSIONS IN INCHES
- 3.-SEE CEMENT BOARD TECHNICAL SHEET PROVIDED BY SUPPLIER (DIMENSIONS)
- 4.- USE SCREW TYPE DESKFAST #12

- 5.- SEE POWER PANEL INSTALLATION GUIDE TO CONNECT TO WOOD FRAMMING.

## Typ. Stepdown Section (3")

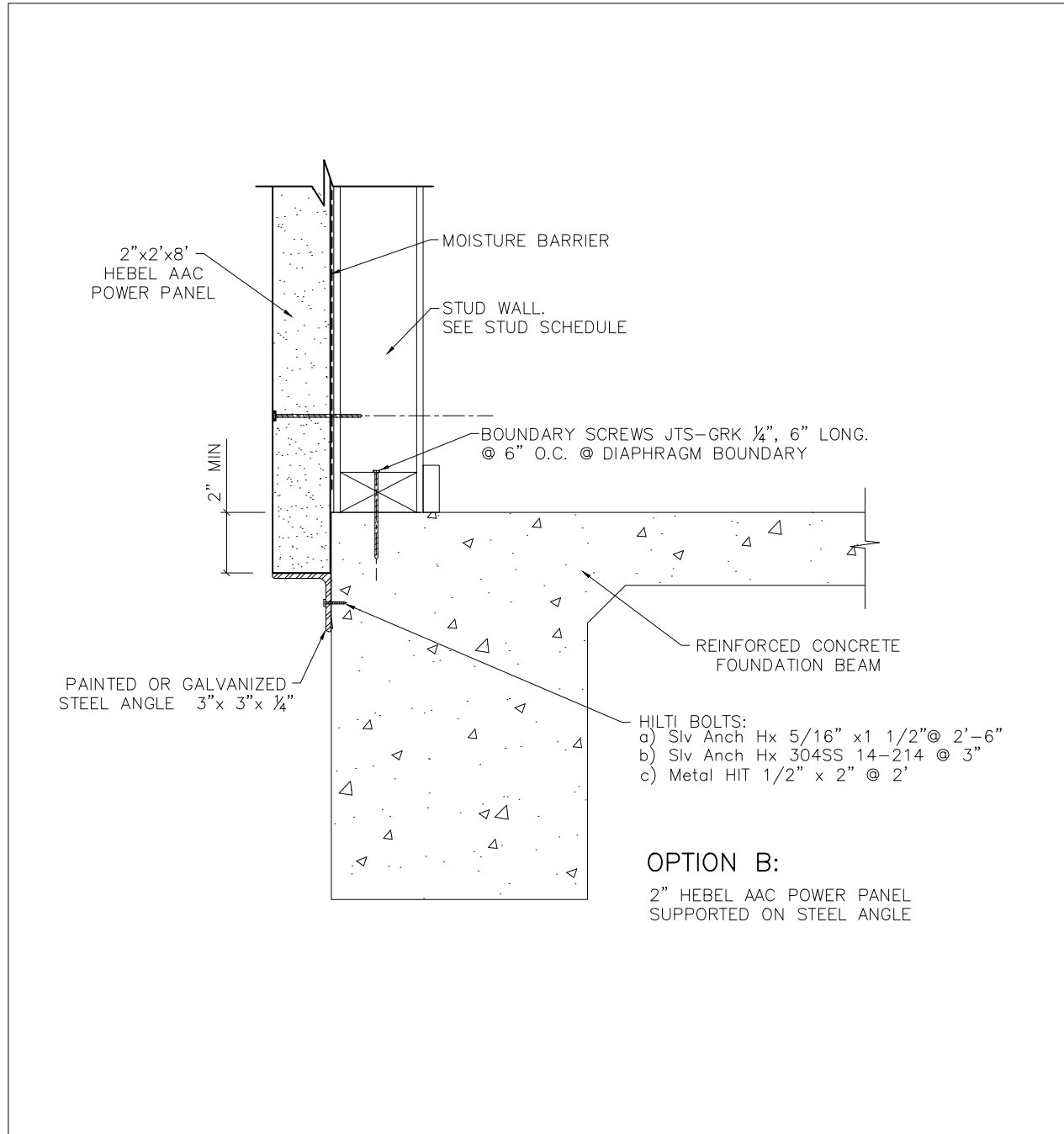


### NOTES

- 1.-NOT SCALE
- 2.-DIMENSIONS IN INCHES
- 3.-SEE CEMENT BOARD TECHNICAL SHEET PROVIDED BY SUPPLIER (DIMENSIONS)
- 4.- USE SCREW TYPE DESKFAST #12

- 5.- SEE POWER PANEL INSTALLATION GUIDE TO CONNECT TO WOOD FRAMMING.

## Typ. Stepdown Section -B (2")



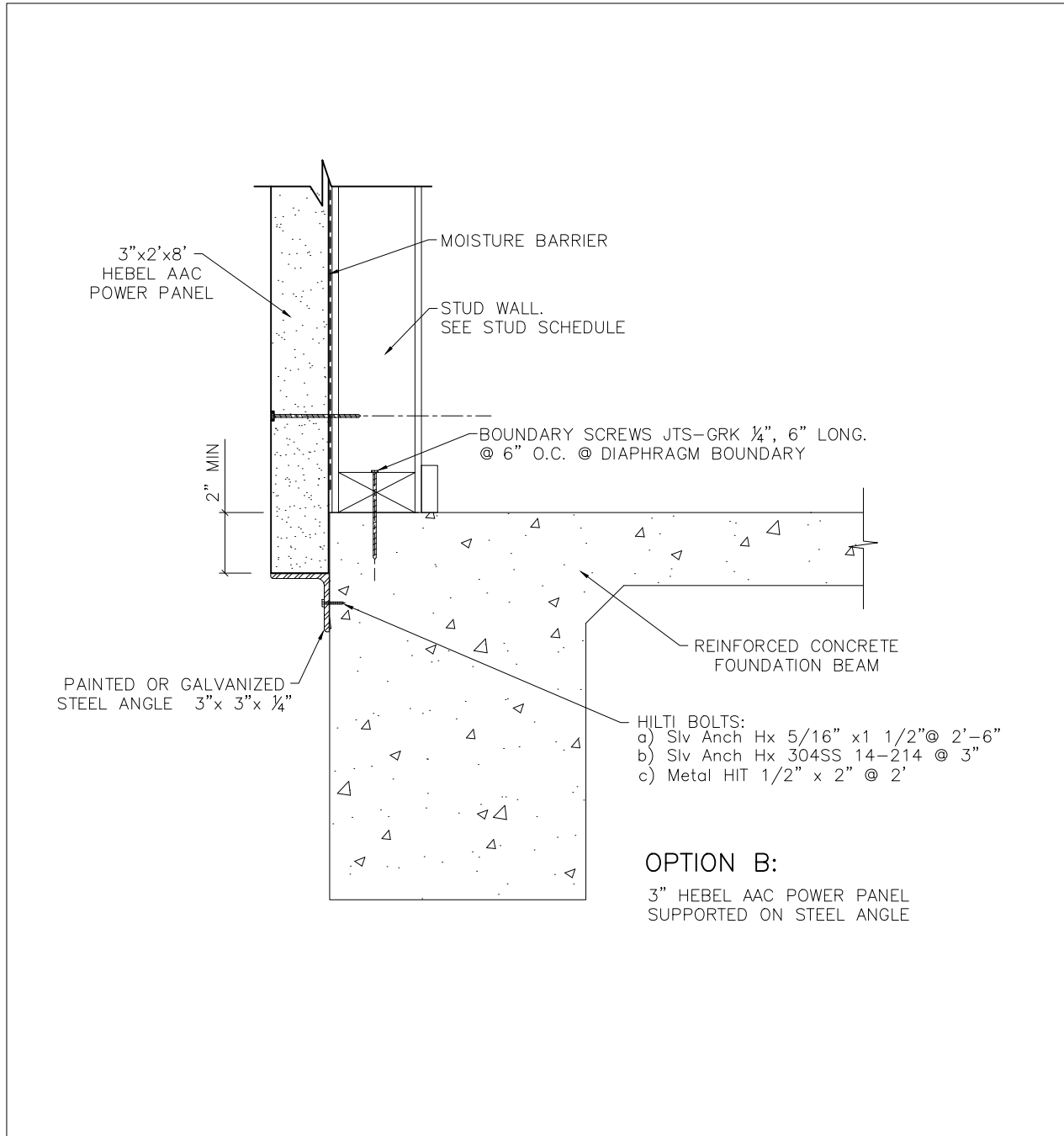
### NOTES

- 1.-NOT SCALE
- 2.-DIMENSIONS IN INCHES
- 3.-SEE CEMENT BOARD TECHNICAL SHEET PROVIDED BY SUPPLIER (DIMENSIONS)
- 4.- USE SCREW TYPE DESKFAST #12

- 5.- SEE POWER PANEL INSTALLATION GUIDE TO CONNECT TO WOOD FRAMMING.



## Typ. Stepdown Section -B (3")

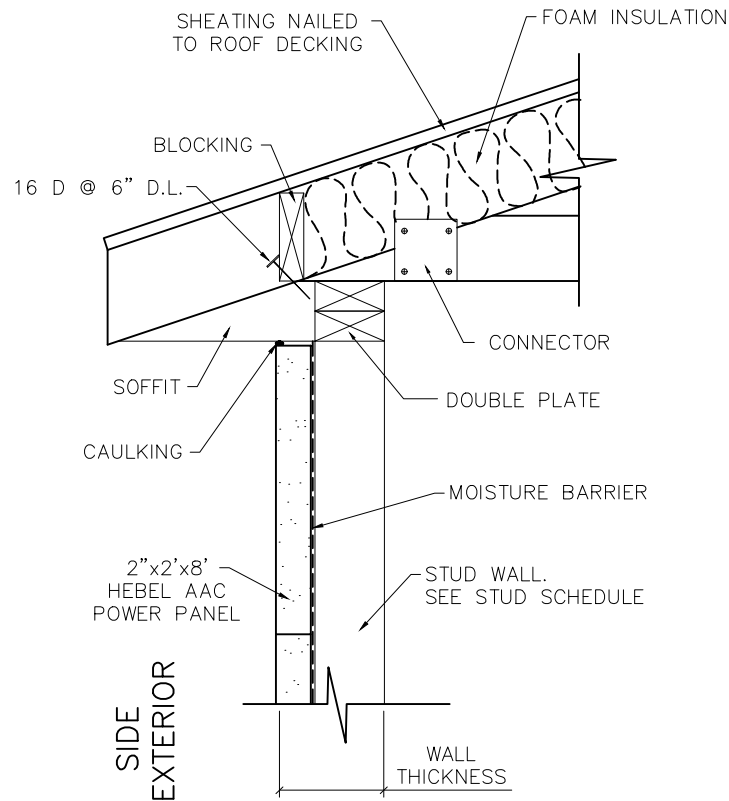


### NOTES

- 1.- NOT SCALE
- 2.- DIMENSIONS IN INCHES
- 3.- SEE CEMENT BOARD TECHNICAL SHEET PROVIDED BY SUPPLIER (DIMENSIONS)
- 4.- USE SCREW TYPE DESKFAST #12

- 5.- SEE POWER PANEL INSTALLATION GUIDE TO CONNECT TO WOOD FRAMMING.

## Roof Wood Truss Connection Detail Typ. To Studs W/AAC Power Panel (2")



### NOTES

- 1.-NOT SCALE
- 2.-DIMENSIONS IN INCHES
- 3.-SEE CEMENT BOARD TECHNICAL SHEET PROVIDED BY SUPPLIER (DIMENSIONS)
- 4.- USE SCREW TYPE DESKFAST #12

- 5.- SEE POWER PANEL INSTALLATION GUIDE TO CONNECT TO WOOD FRAMMING.

LITECRETE, S.A. DE C.V.

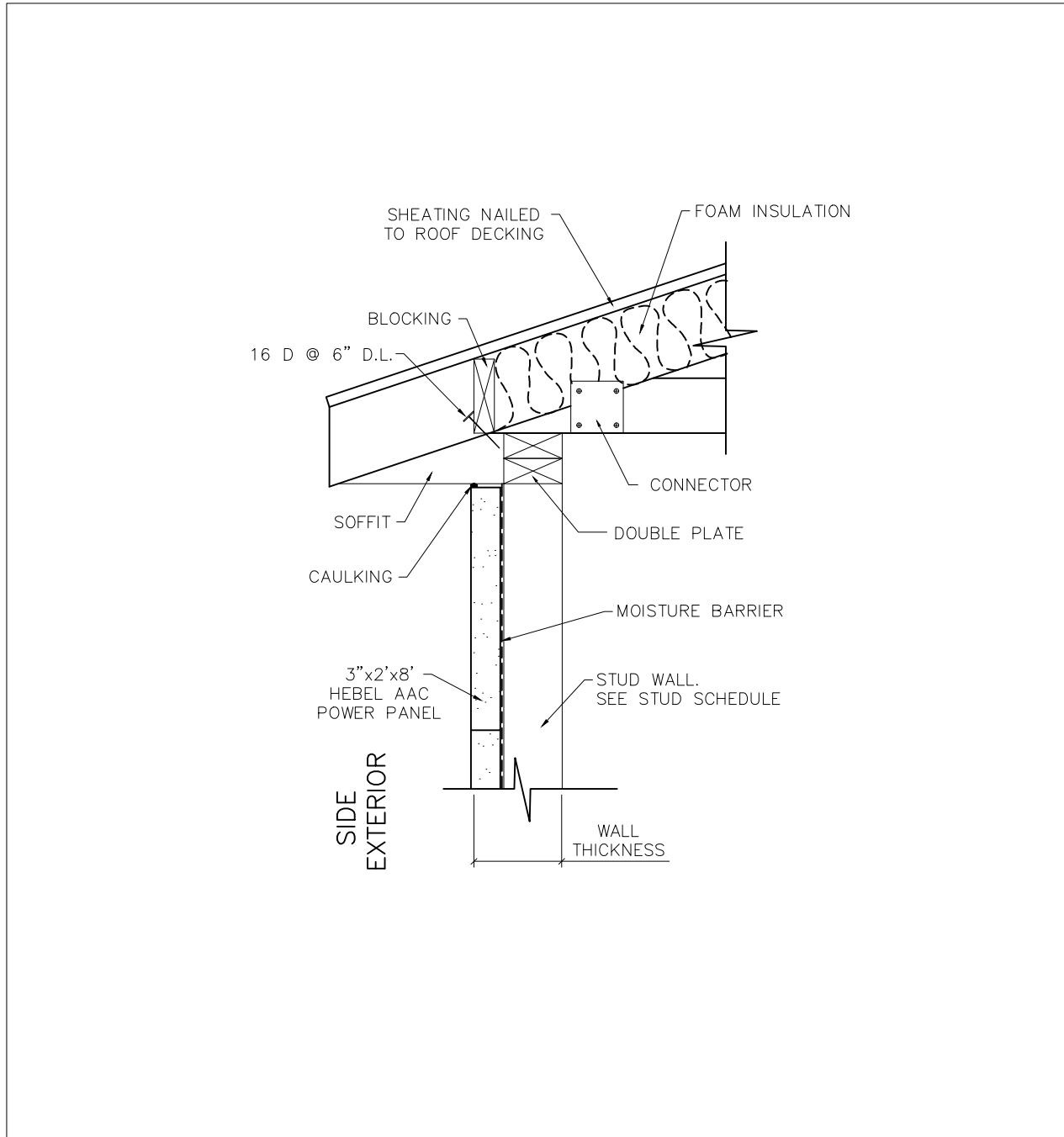
Río Amacuzac #1201 Ote. ■ Col. Valle Oriente ■ San Pedro Garza García, N.L. ■ México ■ 66269

Tel. +52 (81)8399-2464 +52 (81)8399-2462 Fax +52 (81)8399-2420

[www.hebel.mx](http://www.hebel.mx)

September 2020

## Roof Wood Truss Connection Detail Typ. To Studs W/AAC Power Panel (3")

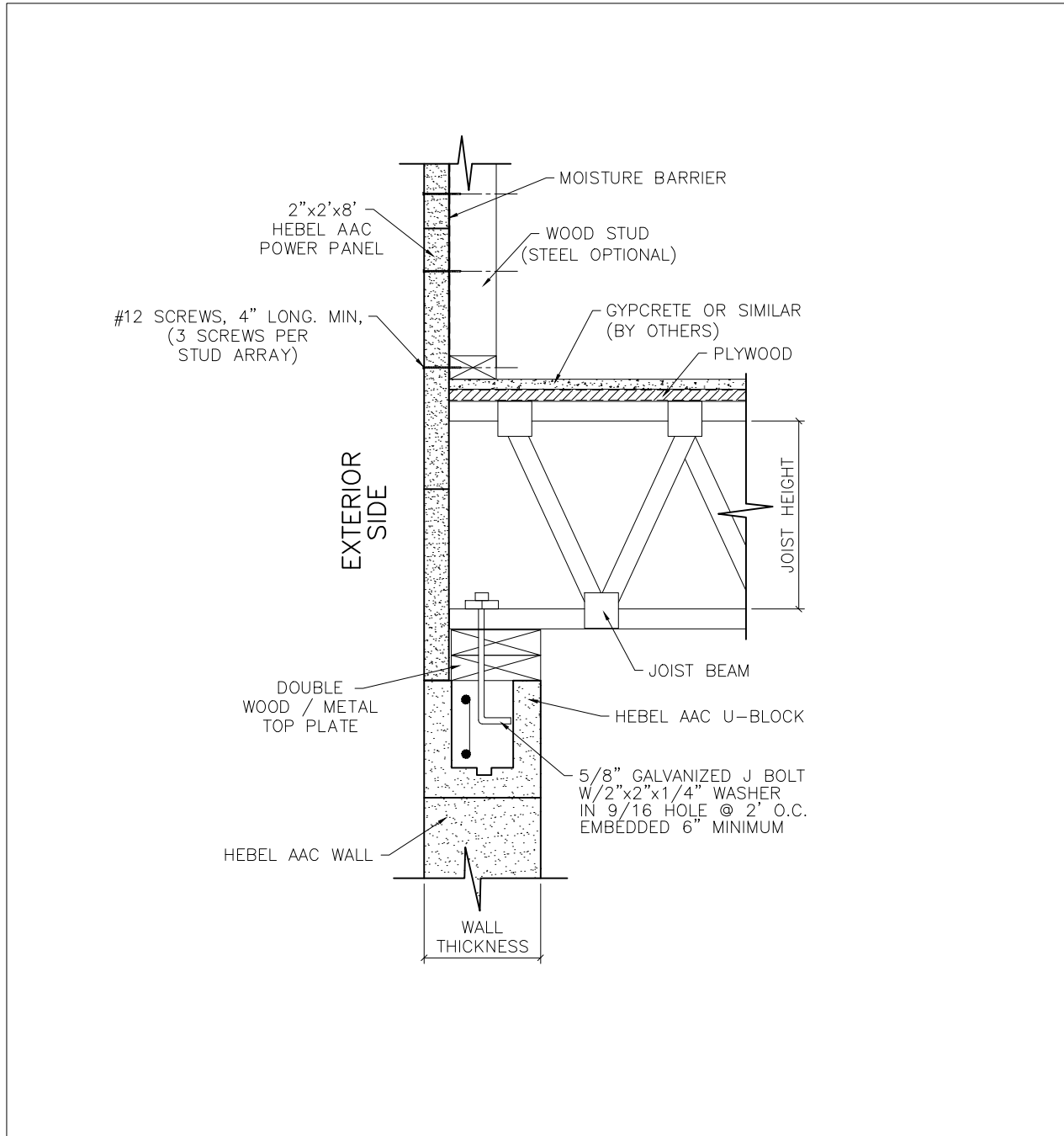


### NOTES

- 1.-NOT SCALE
- 2.-DIMENSIONS IN INCHES
- 3.-SEE CEMENT BOARD TECHNICAL SHEET PROVIDED BY SUPPLIER (DIMENSIONS)
- 4.- USE SCREW TYPE DESKFAST #12

- 5.- SEE POWER PANEL INSTALLATION GUIDE TO CONNECT TO WOOD FRAMMING.

## Interfloor Framing Connection Detail Typ. Block-Studs (2")



### NOTES

- 1.-NOT SCALE
- 2.-DIMENSIONS IN INCHES
- 3.-SEE CEMENT BOARD TECHNICAL SHEET PROVIDED BY SUPPLIER (DIMENSIONS)
- 4.- USE SCREW TYPE DESKFAST #12

- 5.- SEE POWER PANEL INSTALLATION GUIDE TO CONNECT TO WOOD FRAMMING.

LITECRETE, S.A. DE C.V.

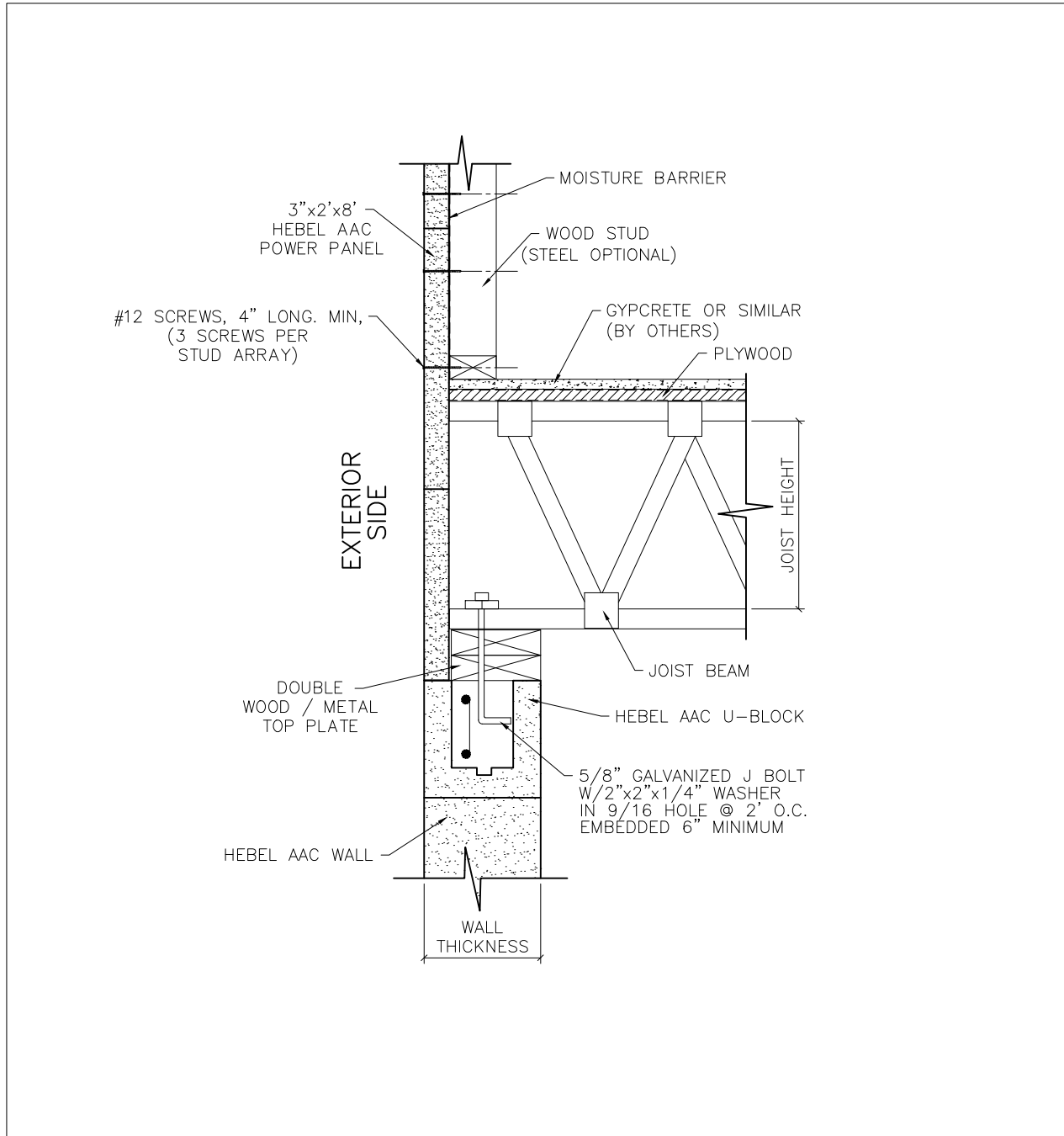
Río Amacuzac #1201 Ote. ■ Col. Valle Oriente ■ San Pedro Garza García, N.L. ■ México ■ 66269

Tel. +52 (81)8399-2464 +52 (81)8399-2462 Fax +52 (81)8399-2420

[www.hebel.mx](http://www.hebel.mx)

September 2020

## Interfloor Framing Connection Detail Typ. Block-Studs (3")



### NOTES

- 1.-NOT SCALE
- 2.-DIMENSIONS IN INCHES
- 3.-SEE CEMENT BOARD TECHNICAL SHEET PROVIDED BY SUPPLIER (DIMENSIONS)
- 4.- USE SCREW TYPE DESKFAST #12

- 5.- SEE POWER PANEL INSTALLATION GUIDE TO CONNECT TO WOOD FRAMMING.

LITECRETE, S.A. DE C.V.

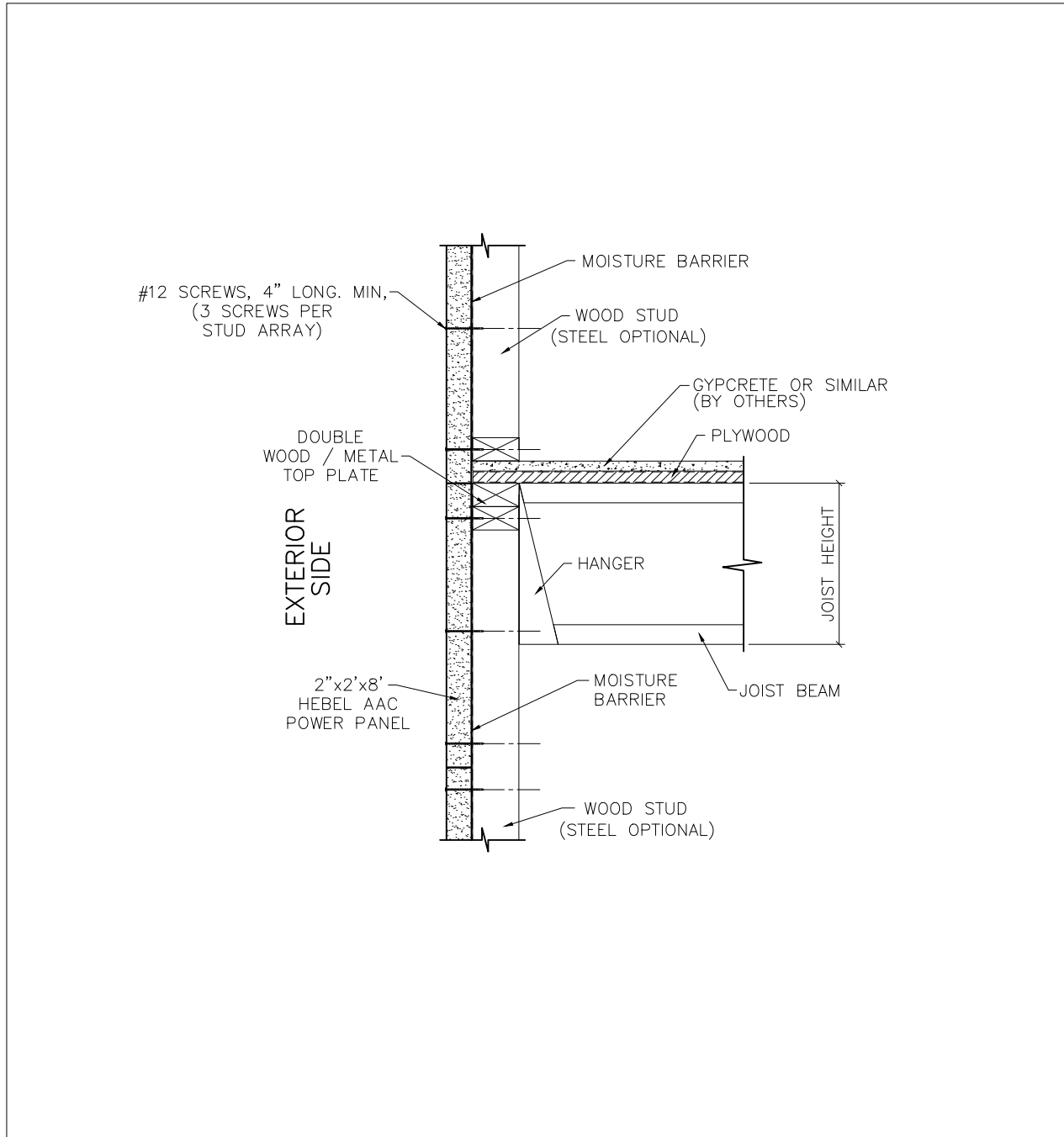
Río Amacuzac #1201 Ote. ■ Col. Valle Oriente ■ San Pedro Garza García, N.L. ■ México ■ 66269

Tel. +52 (81)8399-2464 +52 (81)8399-2462 Fax +52 (81)8399-2420

[www.hebel.mx](http://www.hebel.mx)

September 2020

## Interfloor Framing Connection Detail Typ. Studs-Continuous (2")

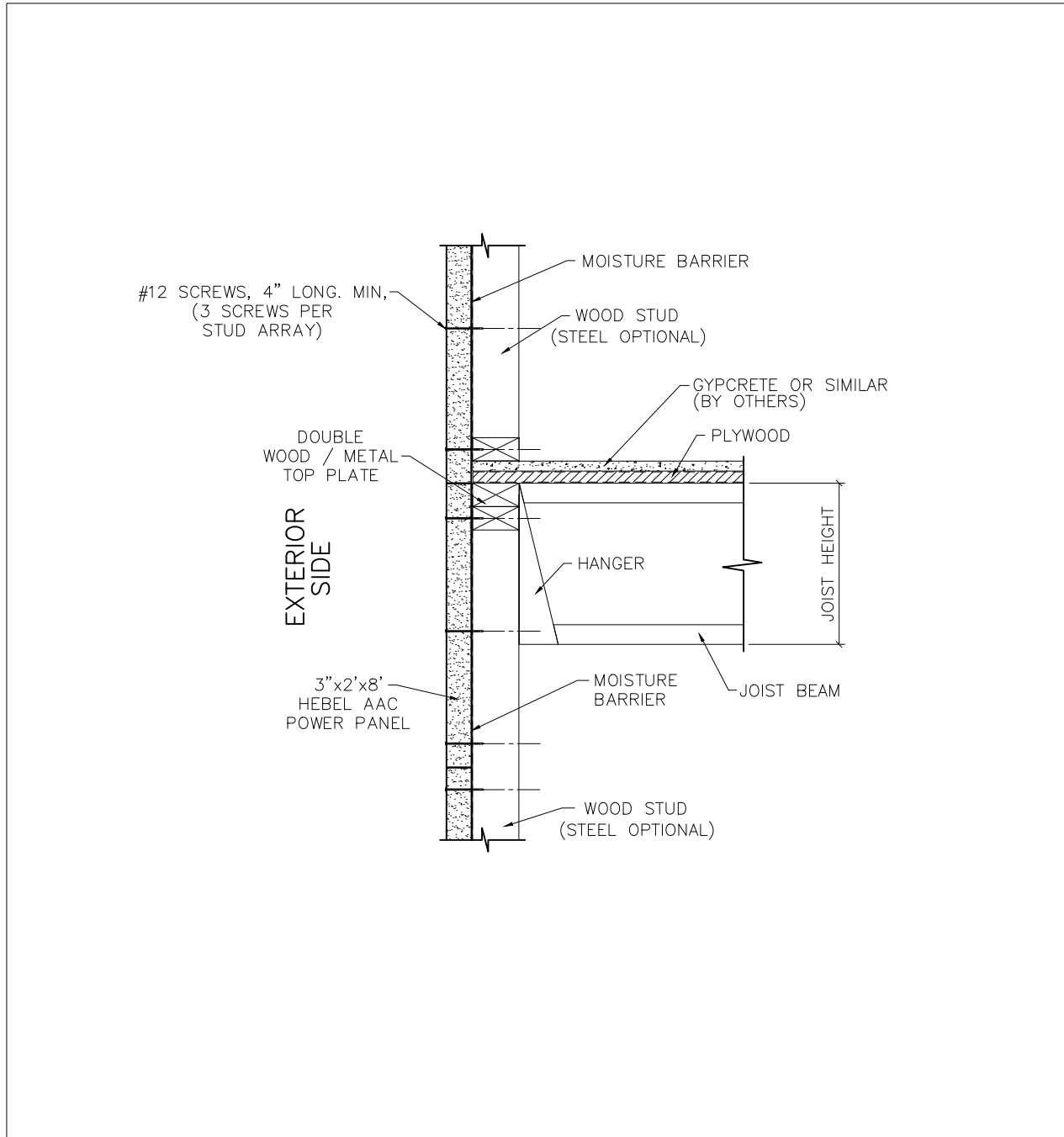


### NOTES

- 1.- NOT SCALE
- 2.- DIMENSIONS IN INCHES
- 3.- SEE CEMENT BOARD TECHNICAL SHEET PROVIDED BY SUPPLIER (DIMENSIONS)
- 4.- USE SCREW TYPE DESKFAST #12

- 5.- SEE POWER PANEL INSTALLATION GUIDE TO CONNECT TO WOOD FRAMMING.

## Interfloor Framing Connection Detail Typ. Studs-Continuous (3")

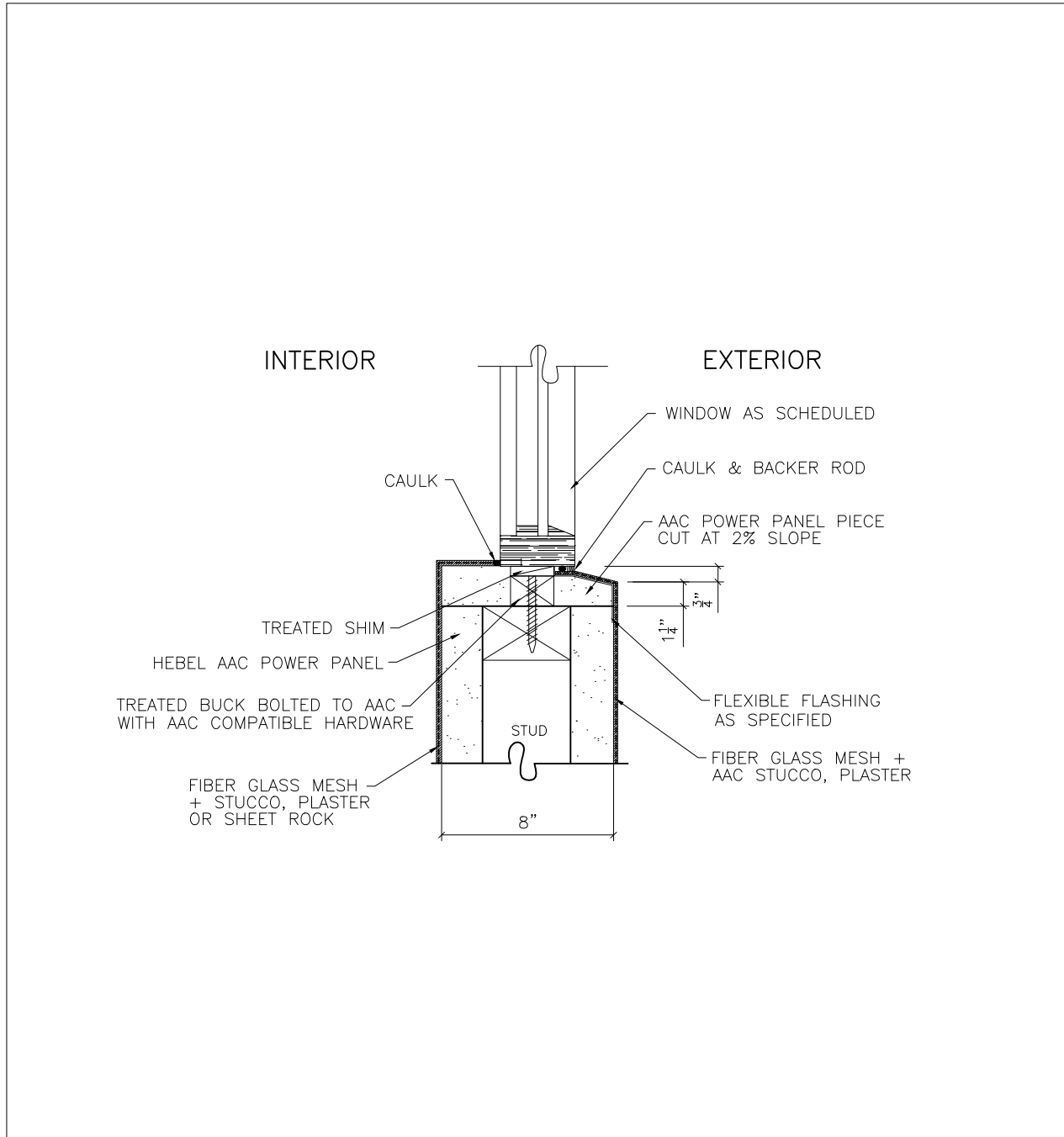


### NOTES

- 1.- NOT SCALE
- 2.- DIMENSIONS IN INCHES
- 3.- SEE CEMENT BOARD TECHNICAL SHEET PROVIDED BY SUPPLIER (DIMENSIONS)
- 4.- USE SCREW TYPE DESKFAST #12

- 5.- SEE POWER PANEL INSTALLATION GUIDE TO CONNECT TO WOOD FRAMMING.

## Window Sill Detail (Commercial Window, No Flange)



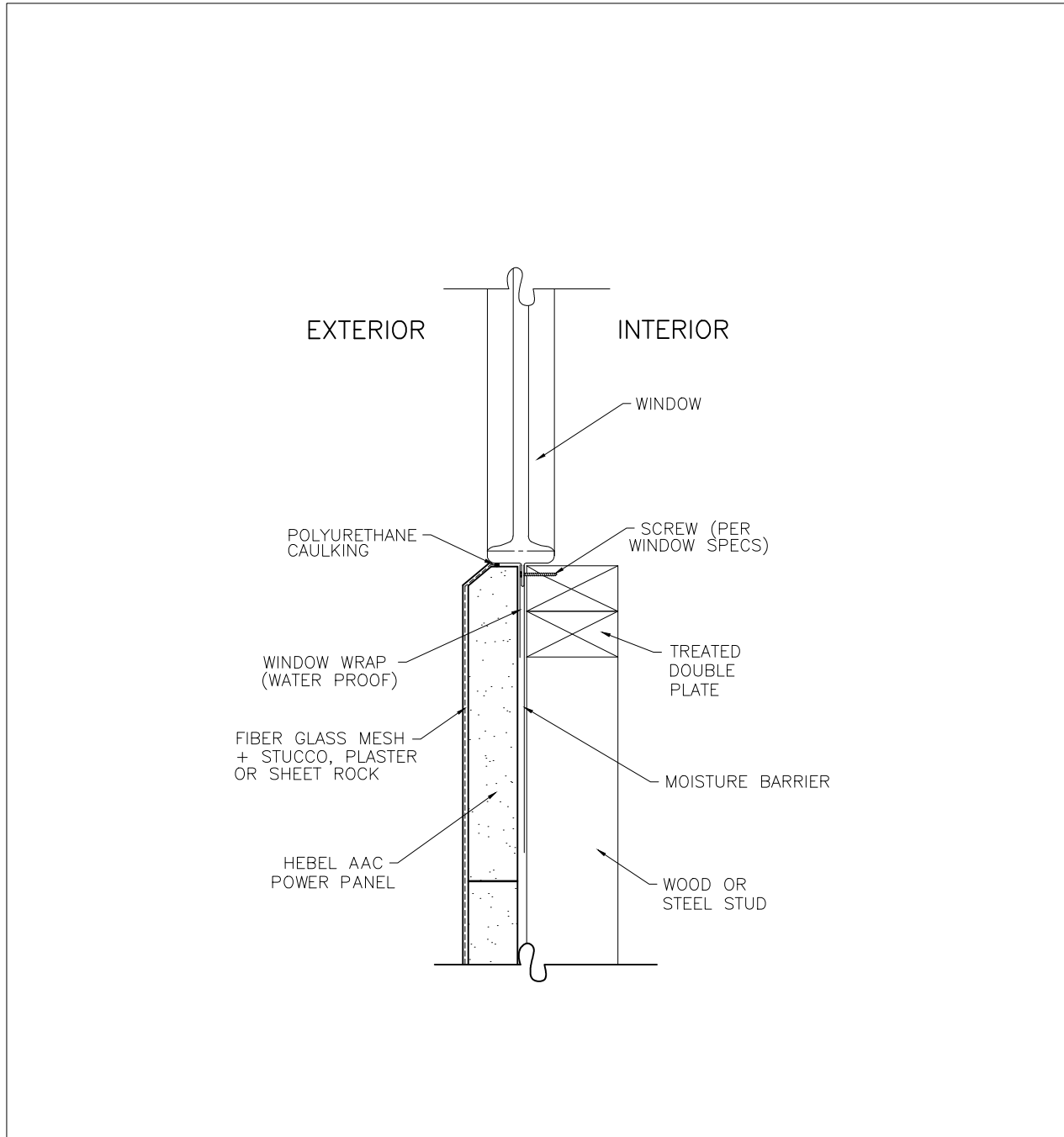
### NOTES

- 1.-NOT SCALE
- 2.-DIMENSIONS IN INCHES
- 3.-SEE CEMENT BOARD TECHNICAL SHEET PROVIDED BY SUPPLIER (DIMENSIONS)
- 4.- USE SCREW TYPE DESKFAST #12

- 5.- SEE POWER PANEL INSTALLATION GUIDE TO CONNECT TO WOOD FRAMMING.



## Window Sill Detail (Window W / Flange)

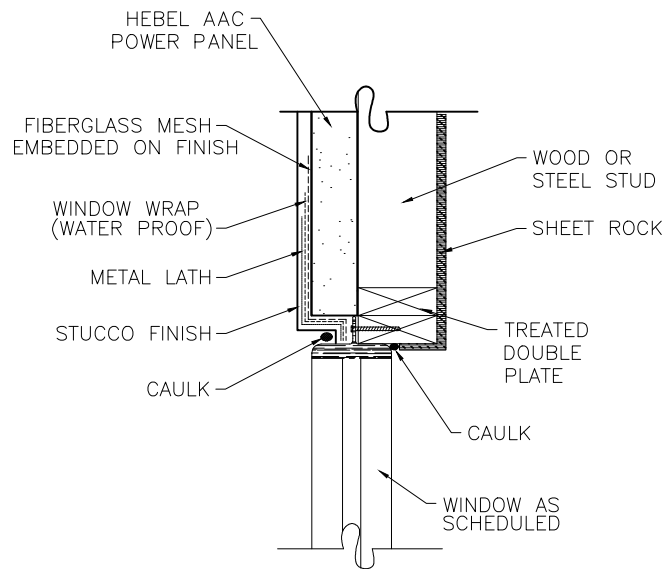


### NOTES

- 1.-NOT SCALE
- 2.-DIMENSIONS IN INCHES
- 3.-SEE CEMENT BOARD TECHNICAL SHEET PROVIDED BY SUPPLIER (DIMENSIONS)
- 4.- USE SCREW TYPE DESKFAST #12

- 5.- SEE POWER PANEL INSTALLATION GUIDE TO CONNECT TO WOOD FRAMMING.

## Window Header Detail (Window W / Flange)

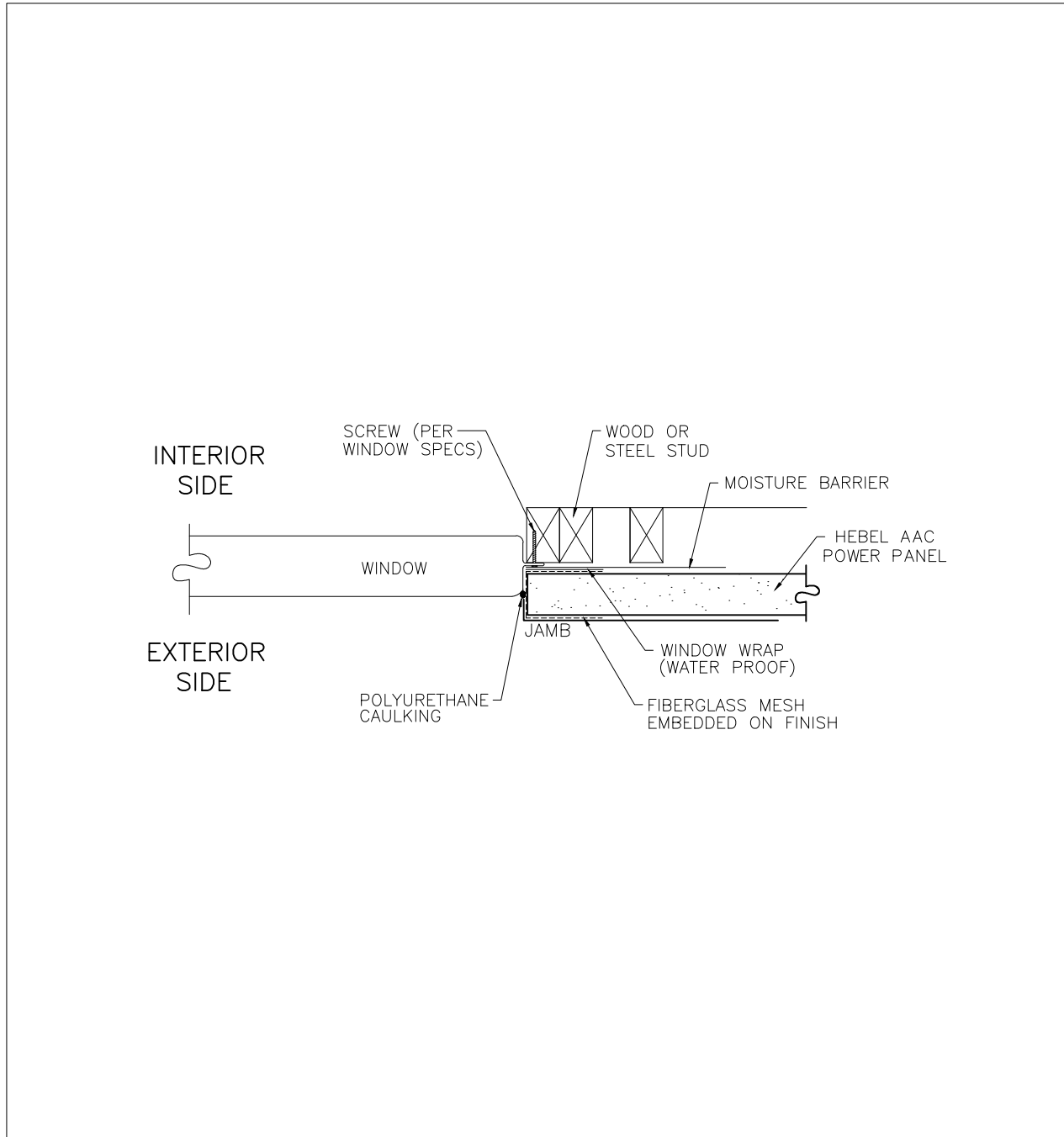


### NOTES

- 1.-NOT SCALE
- 2.-DIMENSIONS IN INCHES
- 3.-SEE CEMENT BOARD TECHNICAL SHEET PROVIDED BY SUPPLIER (DIMENSIONS)
- 4.- USE SCREW TYPE DESKFAST #12

- 5.- SEE POWER PANEL INSTALLATION GUIDE TO CONNECT TO WOOD FRAMMING.

## Window Jamb Detail (Window W / Flange)



### NOTES

- 1.-NOT SCALE
- 2.-DIMENSIONS IN INCHES
- 3.-SEE CEMENT BOARD TECHNICAL SHEET PROVIDED BY SUPPLIER (DIMENSIONS)
- 4.- USE SCREW TYPE DESKFAST #12

- 5.- SEE POWER PANEL INSTALLATION GUIDE TO CONNECT TO WOOD FRAMMING.