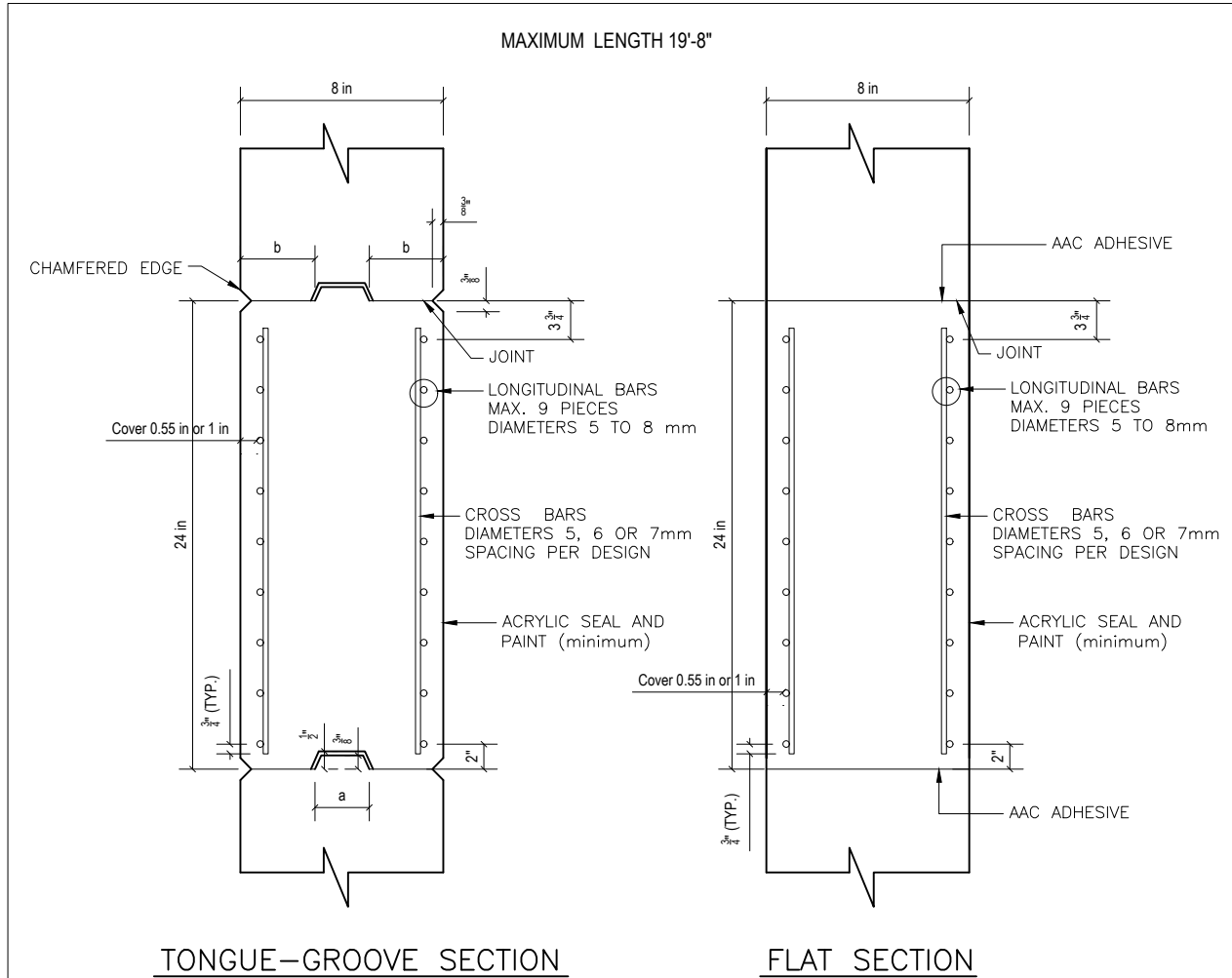


CONTENTS	
WP-01	CROSS SECTION AND REINFORCEMENT
WP-02	CROSS SECTION (N+F.OFA)
WP-03	HORIZONTAL WALL PANEL, TYPICAL LAYOUT
WP-04	HORIZONTAL WALL PANEL
WP-05	HORIZONTAL WALL PANEL CONECTION
WP-06	CORNER CONECTION FOR HORIZONTAL PANEL
WP-07	BRACKET DETAIL FOR HORIZONTAL WALL PANEL
WP-08	SOLUTIONS FOR DOOR AND WINDOW OPENING WITH HORIZONTAL AND VERTICAL PANEL
WP-09	STEEL PLATE FOR CHANNEL SECTION IN WALL OPENINGS
WP-10	HORIZONTAL WALL PANEL WITH SMOOTH FINISH
WP-11	HORIZONTAL WALL PANEL WITH SMOOTH FINISH
WP-12	WALL PANEL VERTICAL POSITION START
WP-13	WALL PANEL START OVER STEEL BEAM
WP-14	VERTICAL WALL PANEL JOINT
WP-15	INTERMEDIATE CONNECTION FOR WALL VERTICAL PANEL
WP-16	CORNER CONECTION
WP-17	VERTICAL WALL PANEL START
WP-18	JOINT-CORE IN AAC LOAD BEARING WALL PANELS
WP-19	JOINT BETWEEN AAC LOAD BEARING WALL PANELS-CORE
WP-20	JOINT BETWEEN AAC LOAD BEARING WALL PANEL - FLAT
WP-21	DRILLING AND ROUTER ON WALL PANELS
WP-22	DRILLING AND ROUTER ON WALL PANELS
WP-23	FIRE WALL CONNECTION-FLOOR TO FLOOR
WP-24	SECTION @ GARAGE/CORRIDOR
WP-25	SECTION DETAIL
WP-26	CUT/PENETRATIONS IN CLADDING WALLS
WP-27	METAL STUD CONNECTION (AAC VERTICAL PANEL)
WP-28	BRICK VENEER AND RELIEF ANGLE

NOTES

CROSS SECTION AND REINFORCEMENT



DIMENSIONS		
PANEL THICKNESS	a	b
200 (8")	74.5 (2 7/8")	51.0 (2")

NOTES

- 1.-NOT SCALE
- 2.-DIMENSIONS MILIMETERS (IN)
- 3.-REINFORCING STEEL IN ACCORDANCE TO STRUCTURAL DESIGN
- 4.-STEEL REINFORCEMENT FY=50 ksi
- 5.-AAC STRENGTH CLASS AAC-6/600 - F^{aac}= 870 psi

6.-SOUND TRANSMISSION CLASS- STC FOR 8" THICK AAC-6/500 = 50 (ASTM-E90)

LITECRETE, S.A. DE C.V.

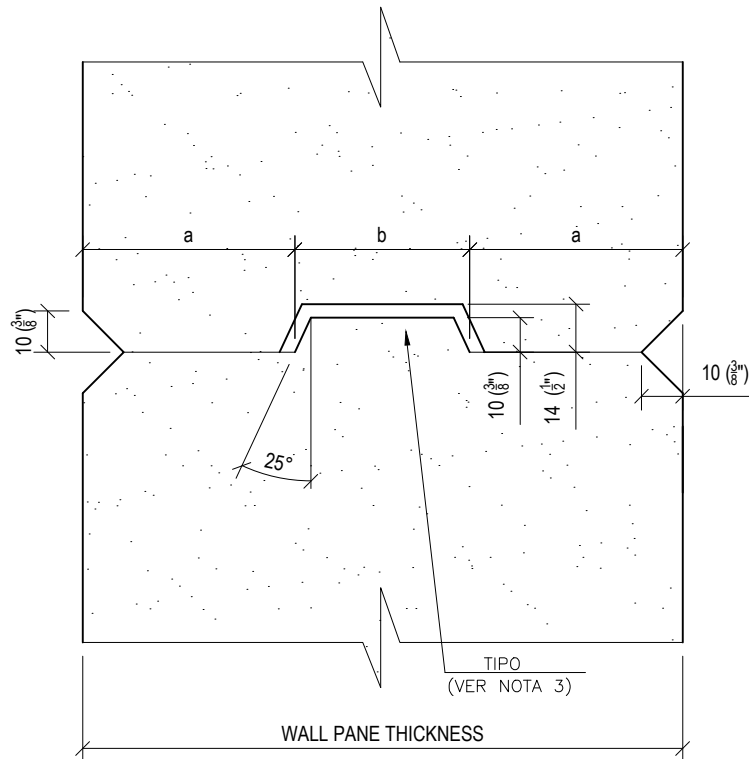
Río Amacuzac #1201 Ote. ■ Col. Valle Oriente ■ San Pedro Garza García, N.L. ■ México ■ 66269

Tel. +52 (81)8399-2464 +52 (81)8399-2462 Fax +52 (81)8399-2420

www.hebel.mx

August 2020

CROSS SECTION (N+F.OFA)



DIMENSIONS		
PANEL THICKNESS	a	b
150 (6")	49.5 (2")	51.0 (2")
175 (7")	62.0 (2 1/2")	51.0 (2")
200 (8")	74.5 (2 7/8")	51.0 (2")
250 (10")	87.0 (3 3/8")	76.0 (3")
300 (12")	99.5 (3 7/8")	101.0 (4")

NOTES

- 1.-NOT SCALE
- 2.-DIMENSIONS MILIMETERS (IN)
- 3.-WALL PANELS WITH THICKNESS LESS THAN 6"
ARE NOT PRODUCED WITH TONGUE-GROOVE PROFILE

LITECRETE, S.A. DE C.V.

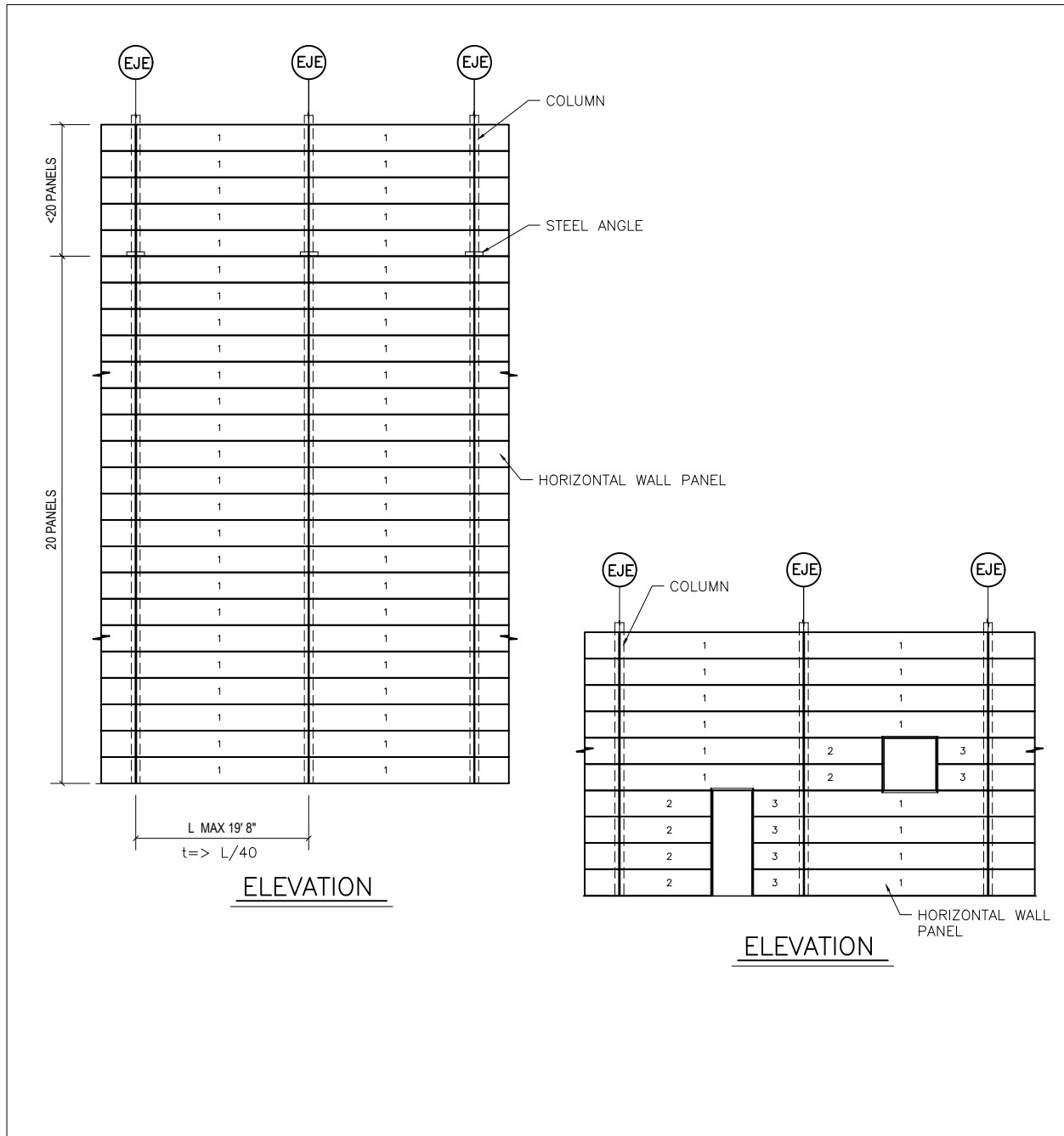
Río Amacuzac #1201 Ote. ■ Col. Valle Oriente ■ San Pedro Garza García, N.L. ■ México ■ 66269

Tel. +52 (81)8399-2464 +52 (81)8399-2462 Fax +52 (81)8399-2420

www.hebel.mx

August 2020

HORIZONTAL WALL PANEL, TYPICAL LAYOUT



NOTES

- 1.-DIMENSIONS MILIMETERS (IN)
- 2.-PANEL THICKNESS ACCORDING TO STRUCTURAL DESING

LITECRETE, S.A. DE C.V.

Río Amacuzac #1201 Ote. ■ Col. Valle Oriente ■ San Pedro Garza García, N.L. ■ México ■ 66269

Tel. +52 (81)8399-2464 +52 (81)8399-2462 Fax +52 (81)8399-2420

www.hebel.mx

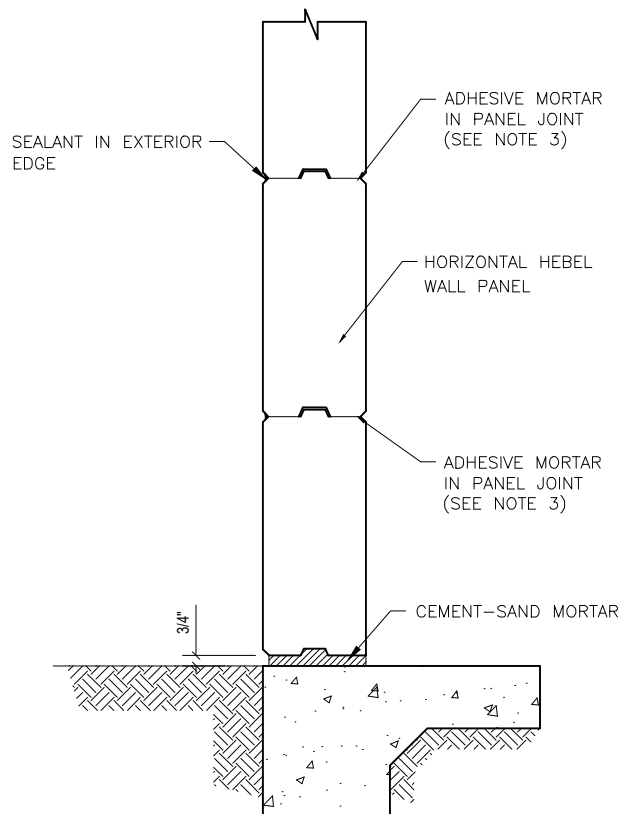
August 2020

Wall Panel

Technical Sheet WP-04



HORIZONTAL WALL PANEL



ELEVATION

NOTES

- 1.-DIMENSIONS MILIMETERS (IN).
- 2.-WALL THICKNESS ACORDING TO STRUCTURAL DESING.
- 3.-USE ADHESIVE MORTAR FOR FIRE RESISTANCE SOLUTION OR FOR PANEL WITH SMOOTH EDGES.

LITECRETE, S.A. DE C.V.

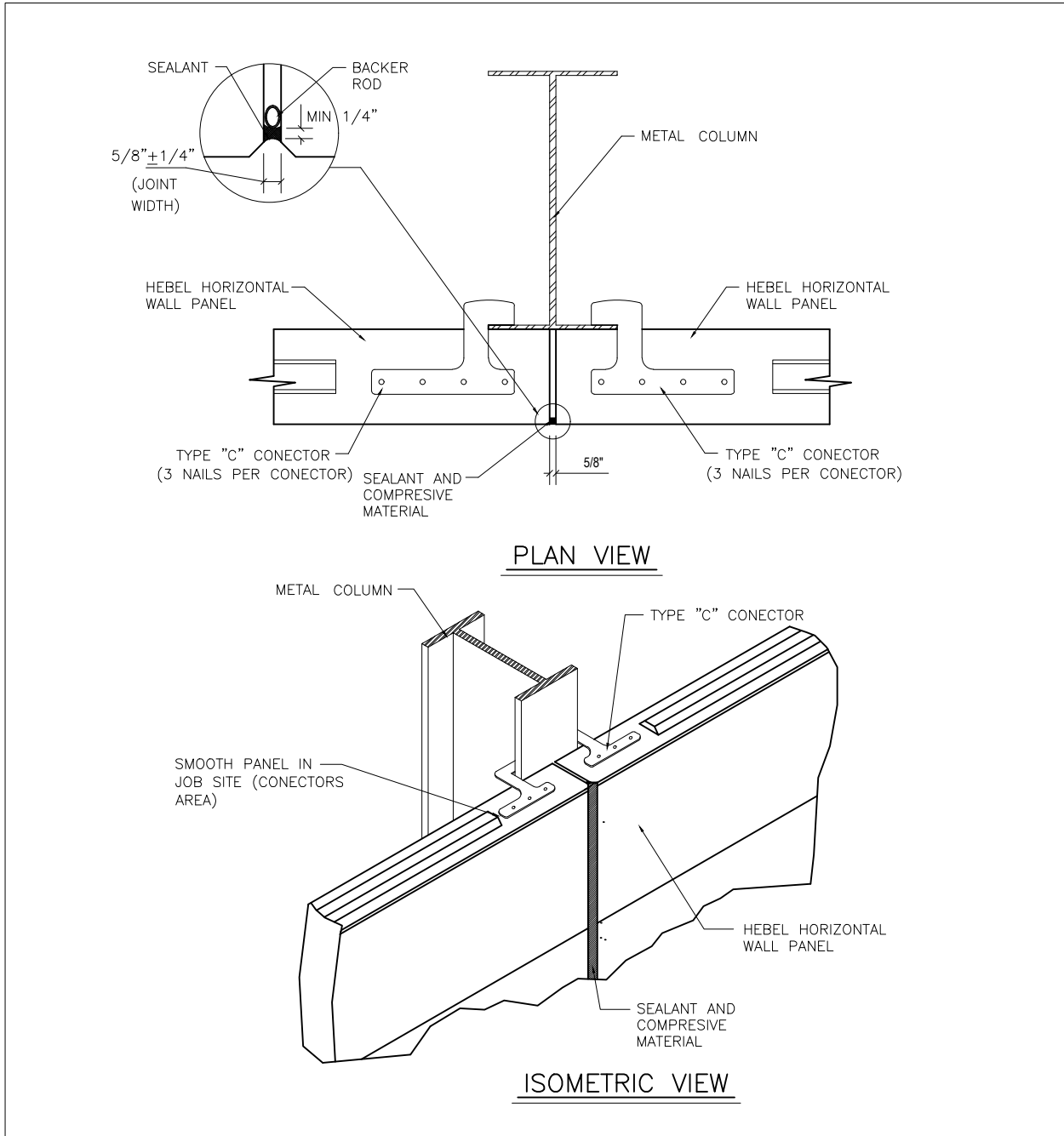
Río Amacuzac #1201 Ote. ■ Col. Valle Oriente ■ San Pedro Garza García, N.L. ■ México ■ 66269

Tel. +52 (81)8399-2464 +52 (81)8399-2462 Fax +52 (81)8399-2420

www.hebel.mx

August 2020

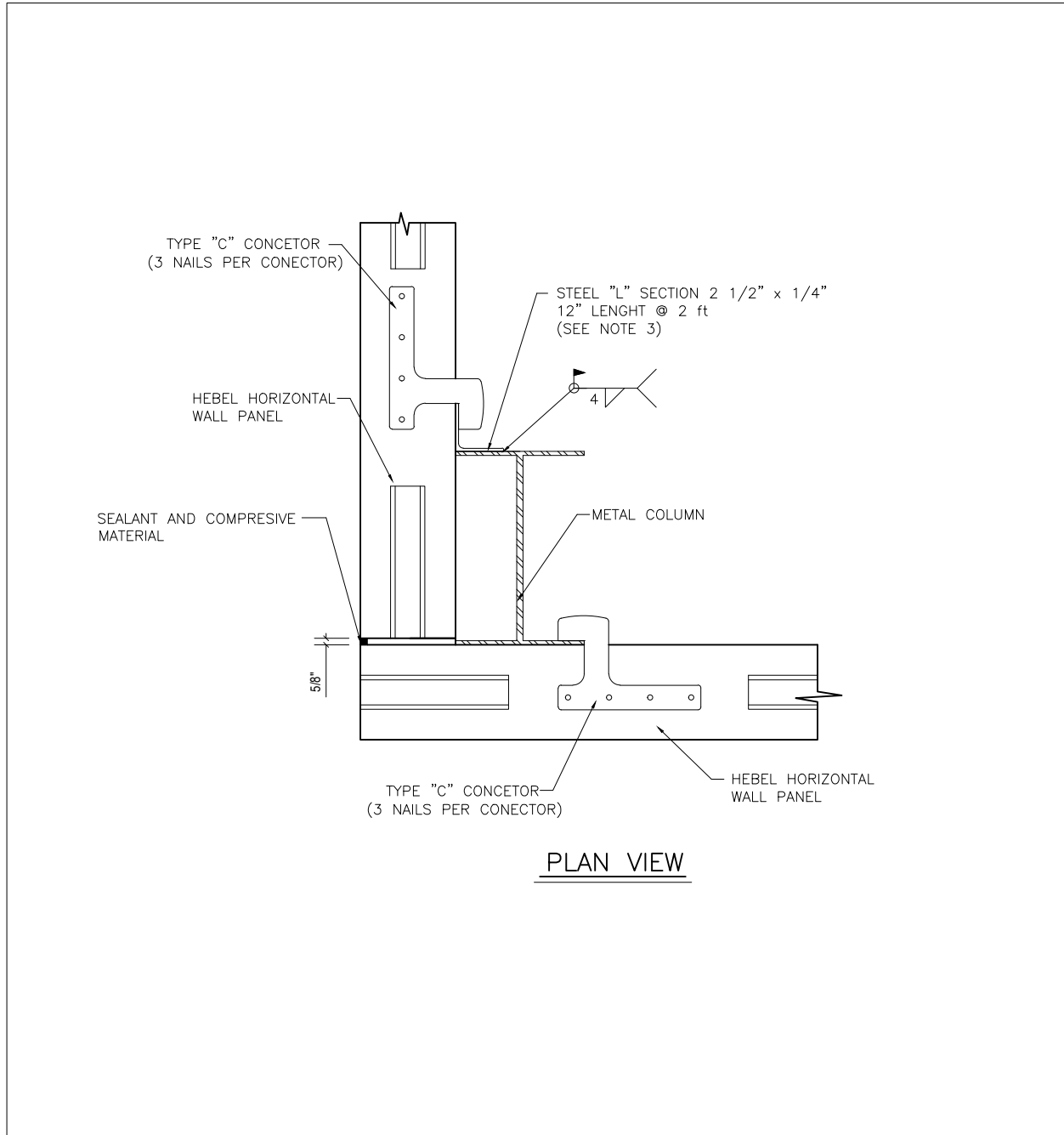
HORIZONTAL WALL PANEL CONECTOR



NOTES

- 1.-DIMENSIONS MILIMETERS (IN)
- 2.-PANEL THICKNESS ACCORDING TO STRUCTURAL DESIGN
- 3.-SEE CONECTOR TYPE "C" DETAIL, IN TECHNICAL SHEET

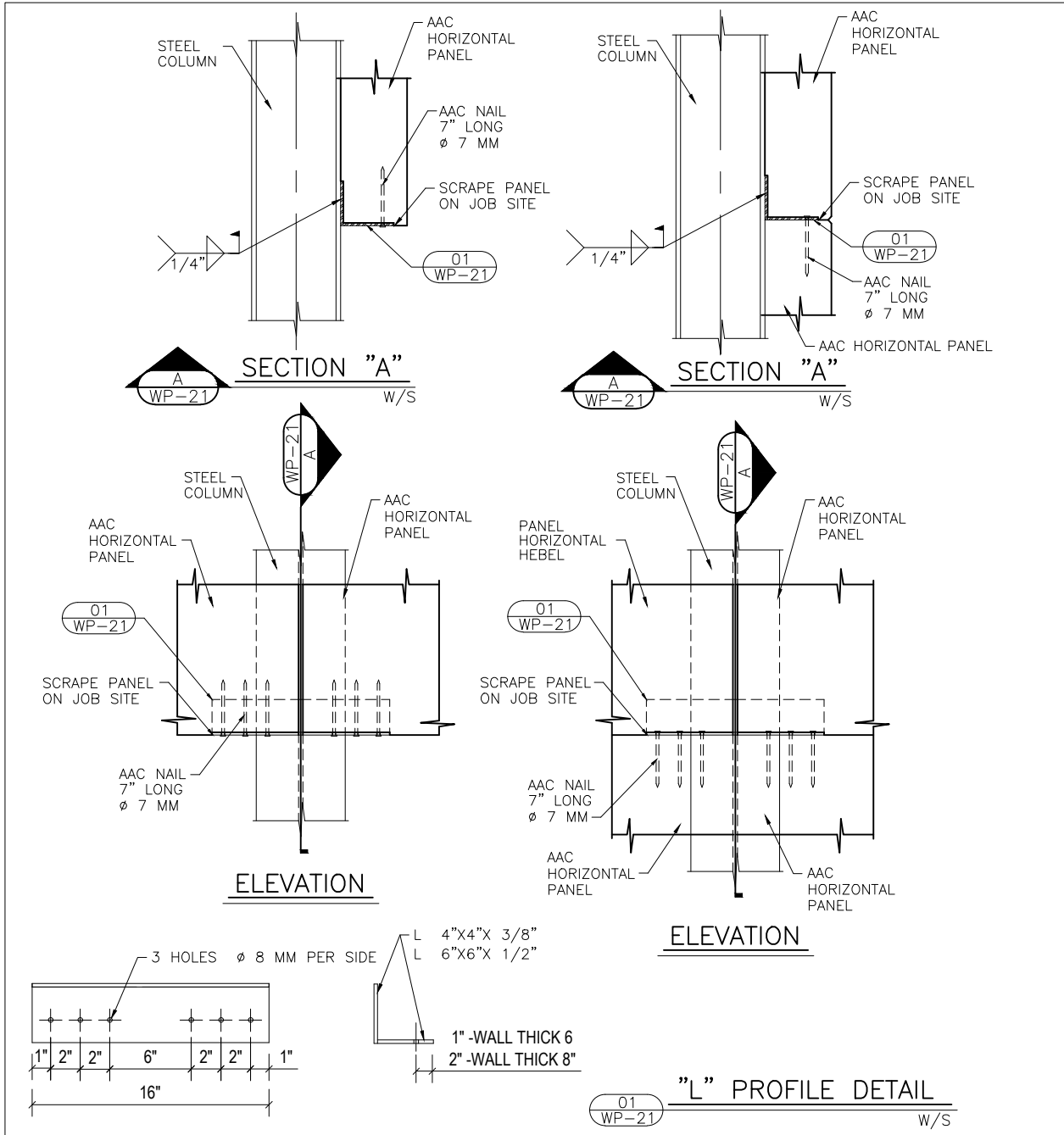
CORNER CONECTION FOR HORIZONTAL PANEL



NOTES

- 1.-DIMENSIONS MILIMETERS (IN)
- 2.-PANEL THICKNESS ACCORDING TO STRUCTURAL DESIGN
- 3.-FOR PANEL SUPPORT

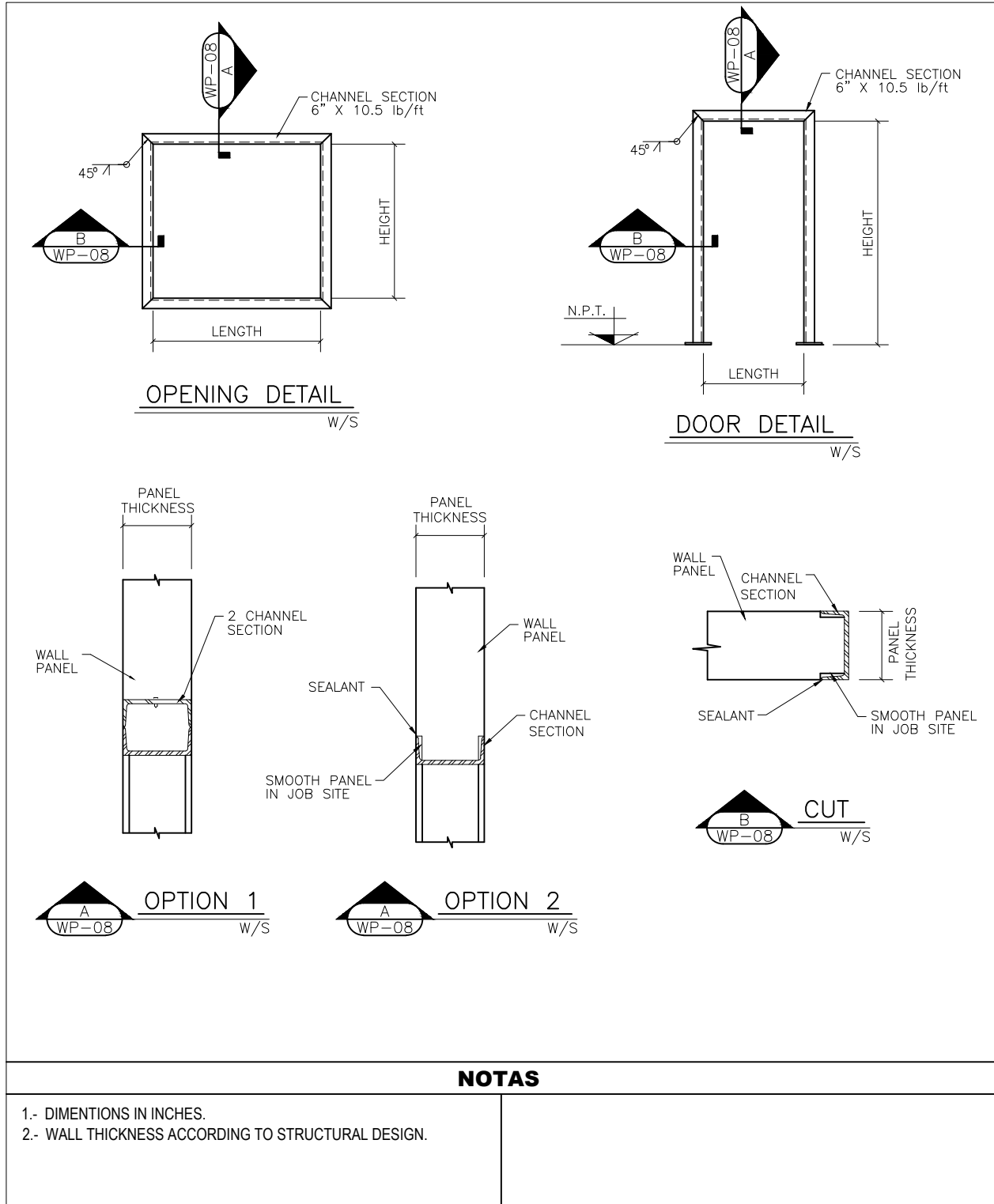
BRACKET DETAIL FOR HORIZONTAL WALL PANEL



NOTES:

- 1.- DIMENSIONS INCHES, EXCEPTI INDICATED.
- 2.- AAC WALL THICKNESS IN ACCORDANCE TO DESIGN.
- 3.- USE L 4X4X3/8 FOR WALL THICKNESS OF 6" AND L 6X6X1/2 FOR WALL THICKNESS OF 8"

SOLUTIONS FOR DOOR AND WINDOW OPENINGS WITH HORIZONTAL AND VERTICAL PANEL



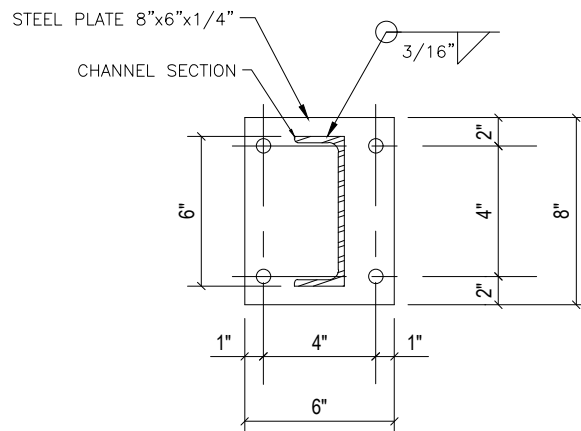
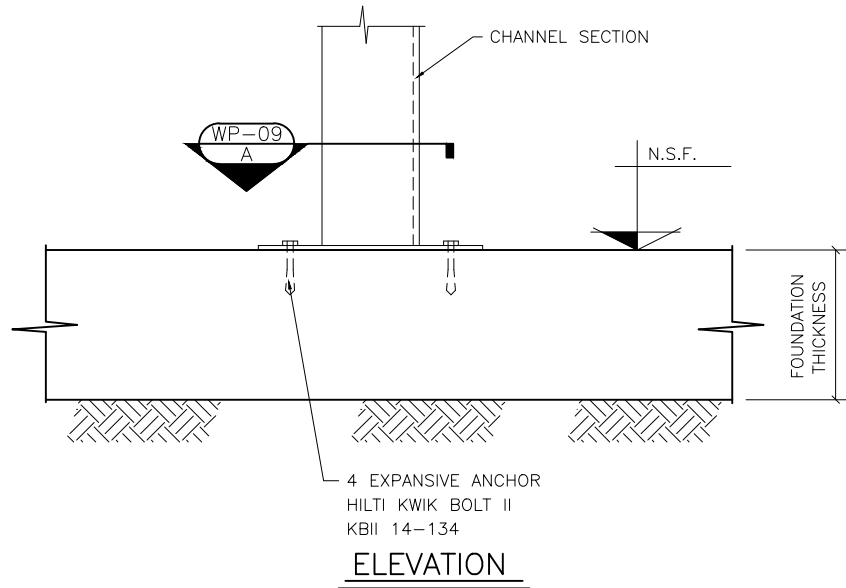
NOTAS

- 1.- DIMENTIONS IN INCHES.
- 2.- WALL THICKNESS ACCORDING TO STRUCTURAL DESIGN.

Wall Panel

Technical Sheet WP-09

STEEL PLATE FOR CHANNEL SECTIONS IN WALL OPENINGS



NOTES

- 1.- DIMENTIONS IN INCHES.
- 2.- PANEL THICKNESS ACCORDING TO STRUCTURAL DESIGN.

LITECRETE, S.A. DE C.V.

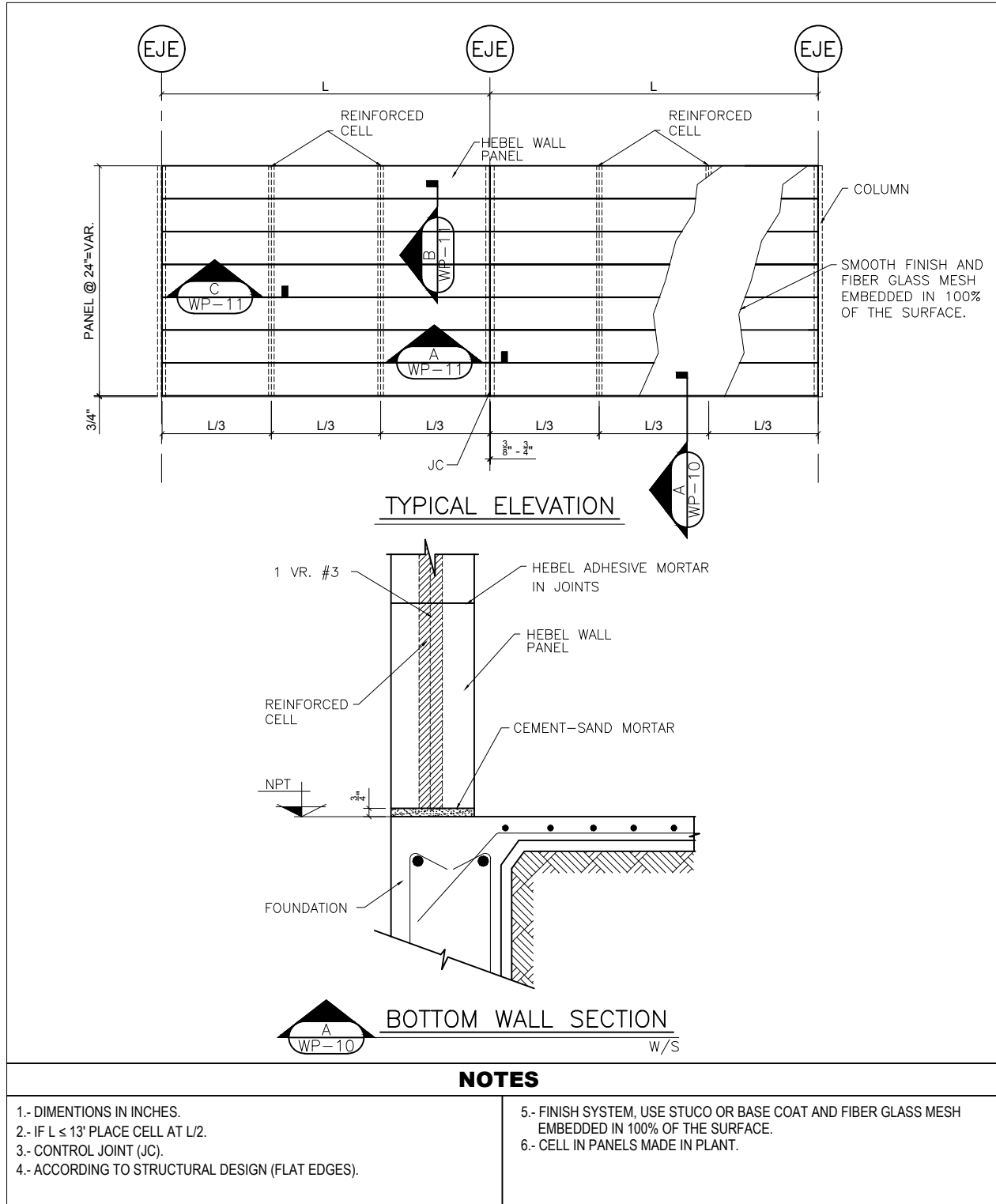
Río Amacuzac #1201 Ote. ■ Col. Valle Oriente ■ San Pedro Garza García, N.L. ■ México ■ 66269

Tel. +52 (81)8399-2464 +52 (81)8399-2462 Fax +52 (81)8399-2420

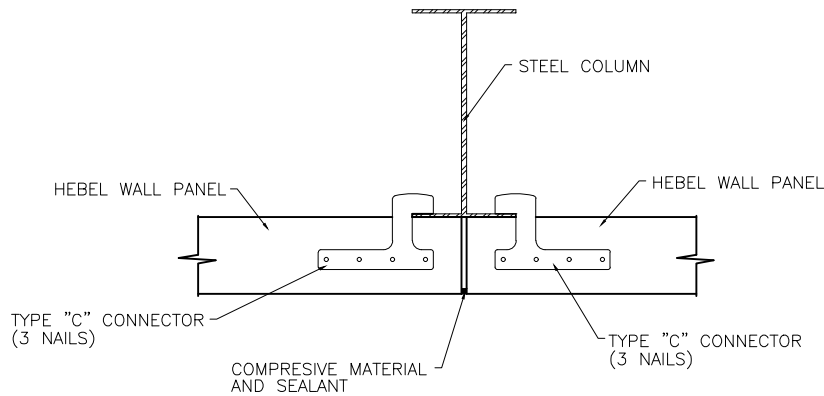
www.hebel.mx

August 2020

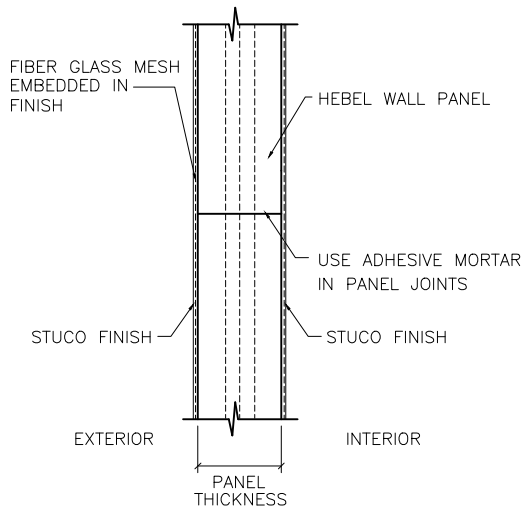
HORIZONTAL WALL PANEL WITH SMOOTH FINISH



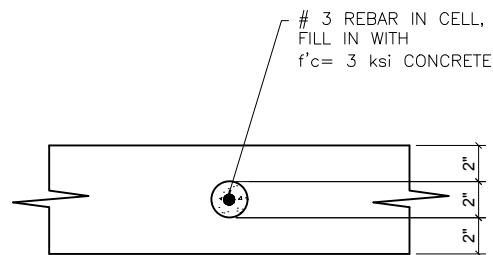
HORIZONTAL WALL PANEL WITH SMOOTH FINISH



A
W/P-11
WALL PANEL CONNECTION
W/S



B
W/P-11
PANEL JOINT
W/S

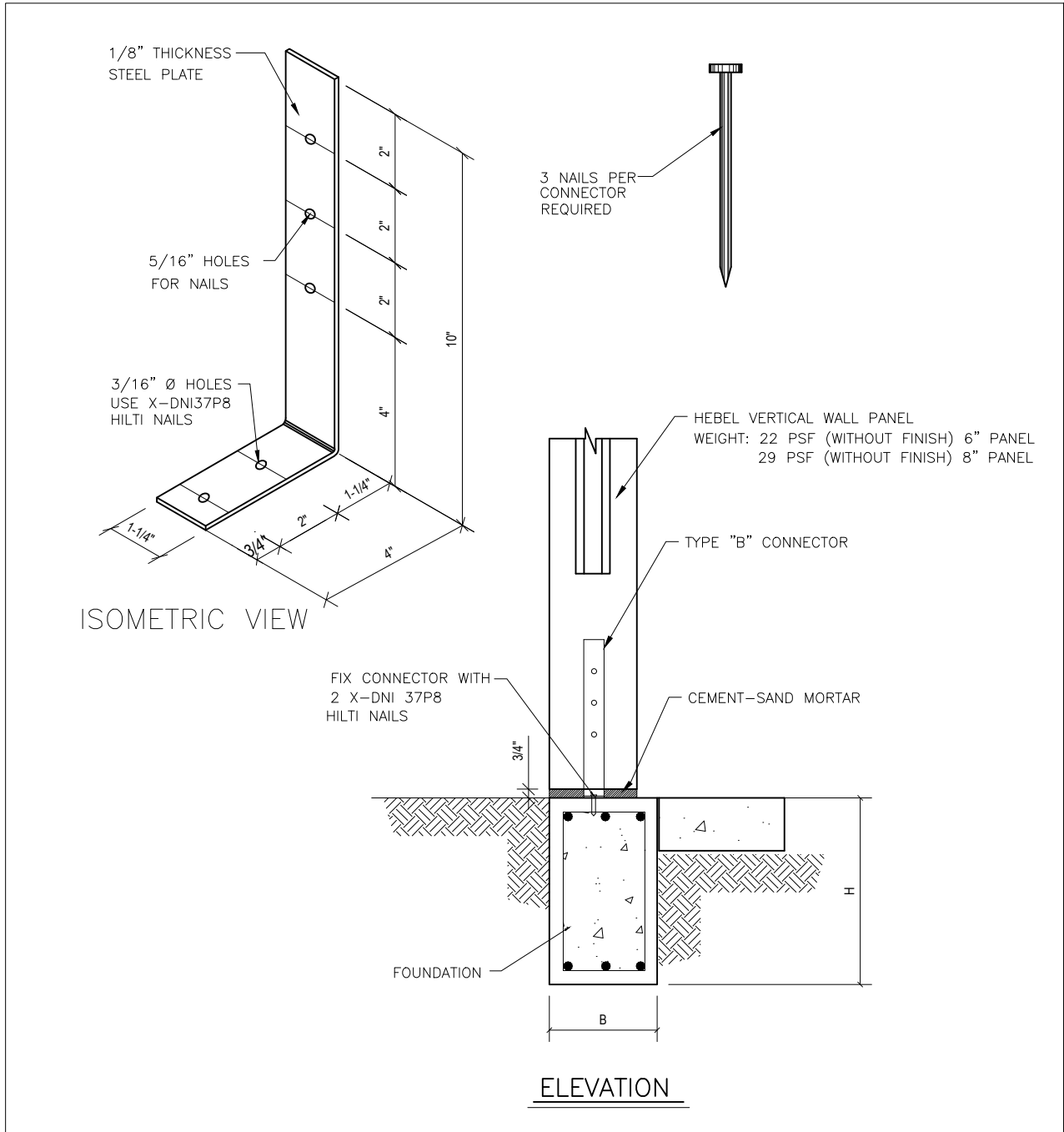


C
W/P-11
SECTION
W/S

NOTES

- 1.- DIMENTIONS IN INCHES.
- 2.- FOR BASE COAT AND ACRYLIC PASTES USE FIBER GLASS MESH IN 100% OF THE SURFACE.

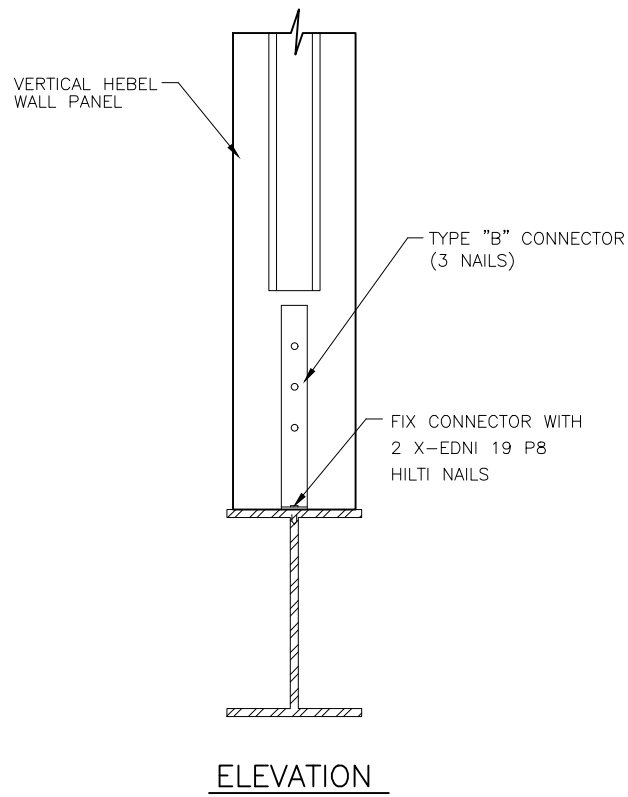
WALL PANEL VERTICAL POSITION START



NOTES

- 1.- DIMENTIONS IN INCHES.
- 2.- PANEL THICKNESS ACCORDING TO STRUCTURAL DESIGN.
- 3.- PANEL WEIGHT ACC6/600 45 PCF AND AAC4/500 37 PCF.
- 4.- FOUNDATION ACCORDING TO STRUCTURAL DESIGN.

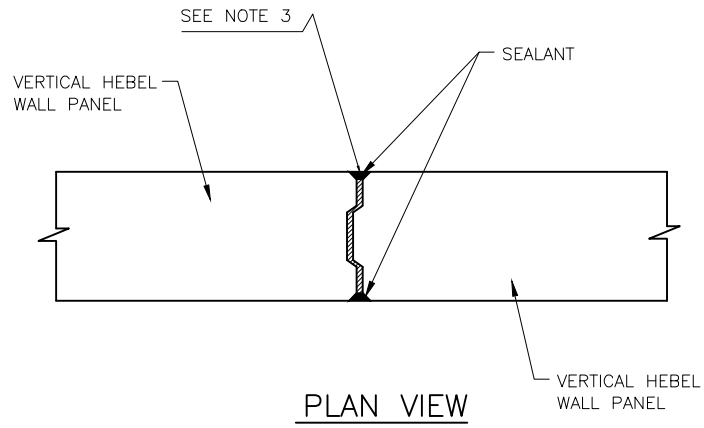
WALL PANEL START OVER STEEL BEAM



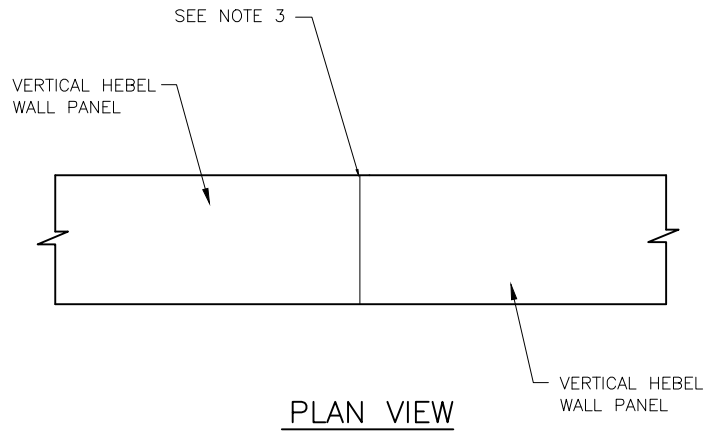
NOTES

- 1.- DIMENTIONS IN INCHES.
- 2.- PANEL THICKNESS ACCORDING TO STRUCTURAL DESIGN.

VERTICAL WALL PANEL JOINT



01
WP-14 JOINT WITH CHAMFER EDGES W/S

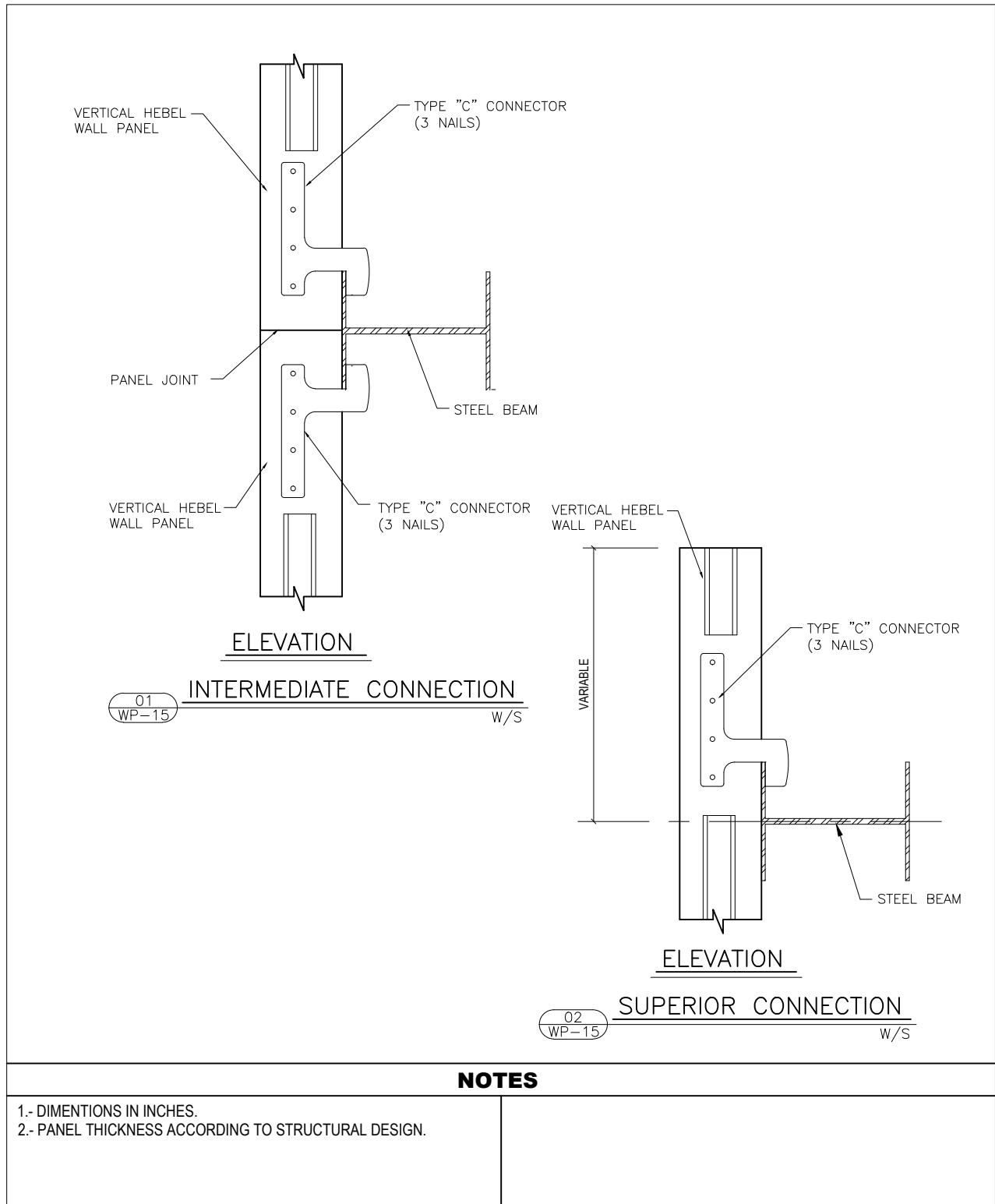


02
WP-14 JOINT WITH SMOOTH EDGES W/S

NOTES

- 1.- DIMENTIONS IN INCHES.
- 2.- PANEL THICKNESS ACCORDING TO STRUCTURAL DESIGN.
- 3.- USE ADHESIVE MORTAR IN JOINTS FOR FIRE RESISTANT WALLS OR WITH SMOOTH FINISH.

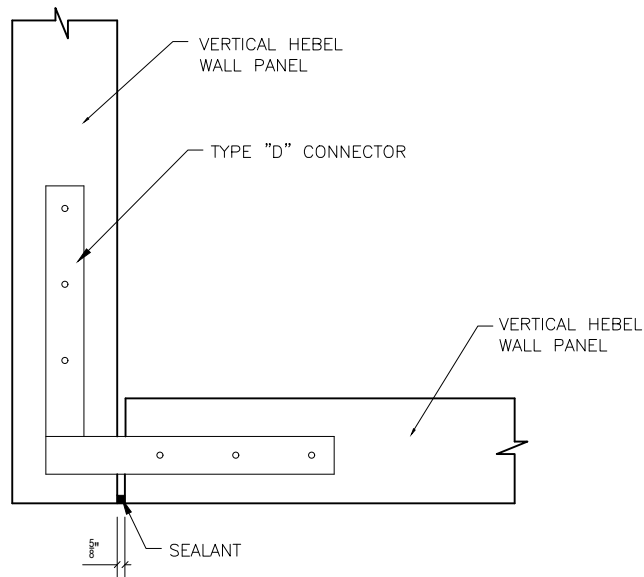
INTERMEDIATE CONNECTION FOR WALL VERTICAL PANEL



NOTES

- 1.- DIMENSIONS IN INCHES.
- 2.- PANEL THICKNESS ACCORDING TO STRUCTURAL DESIGN.

CORNER CONECTION

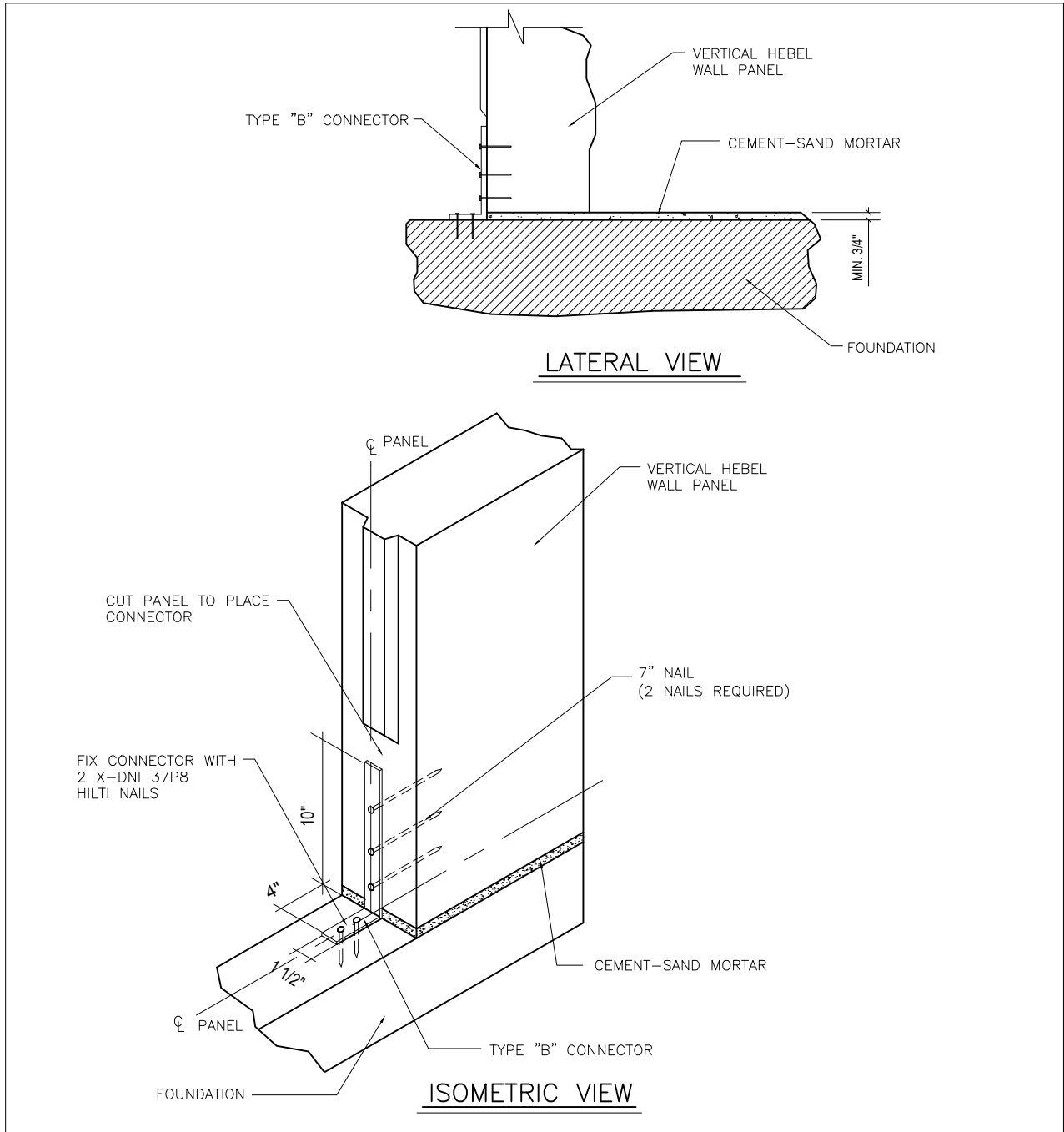


PLAN VIEW

NOTES

- 1.- DIMENTIONS IN INCHES.
- 2.- PANEL THICKNESS ACCORDING TO STRUCTURAL DESIGN.

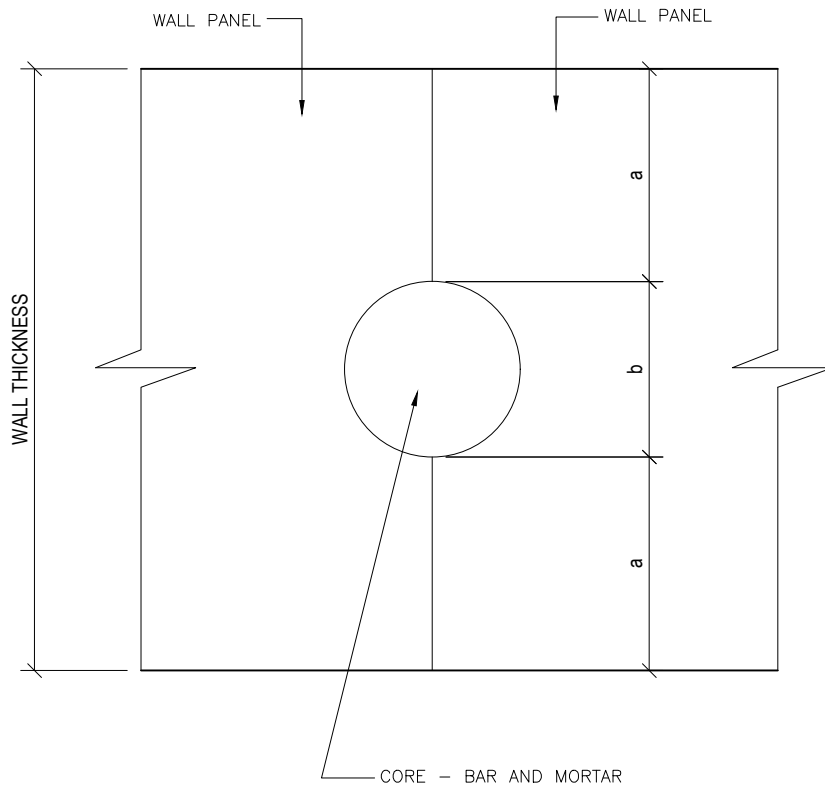
VERTICAL WALL PANEL START



NOTES

- 1.- DIMENTIONS IN INCHES.
- 2.- PANEL THICKNESS ACCORDING TO STRUCTURAL DESIGN.
- 3.- USE 2 X DNI 37P8 NAILS FOR WIND PRESSURE UP TO 20 PSF OR KB II- 214 FOR LOADS UP TO 36 PSF.

Joint - Core in AAC Load Bearing Wall Panels



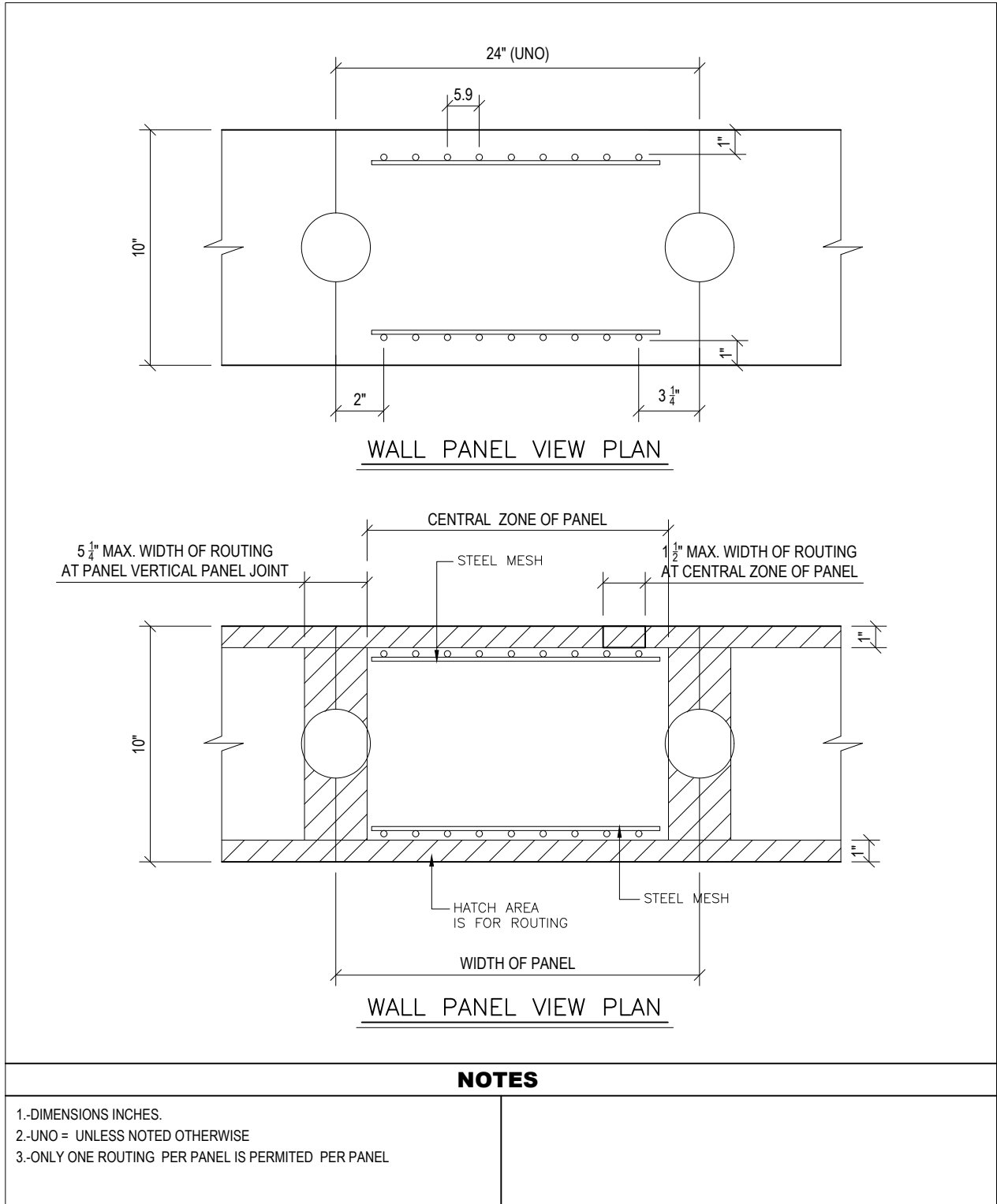
JOINT SECTION

PROFILE DIMENSIONS		
PANEL THICKNESS	a	b
8 "	2 1/2"	3"

NOTES

1.-DIMENSIONS INCHES.

Joint Between AAC Load Bearing Wall Panel - Core



NOTES

- 1.-DIMENSIONS INCHES.
- 2.-UNO = UNLESS NOTED OTHERWISE
- 3.-ONLY ONE ROUTING PER PANEL IS PERMITTED PER PANEL

LITECRETE, S.A. DE C.V.

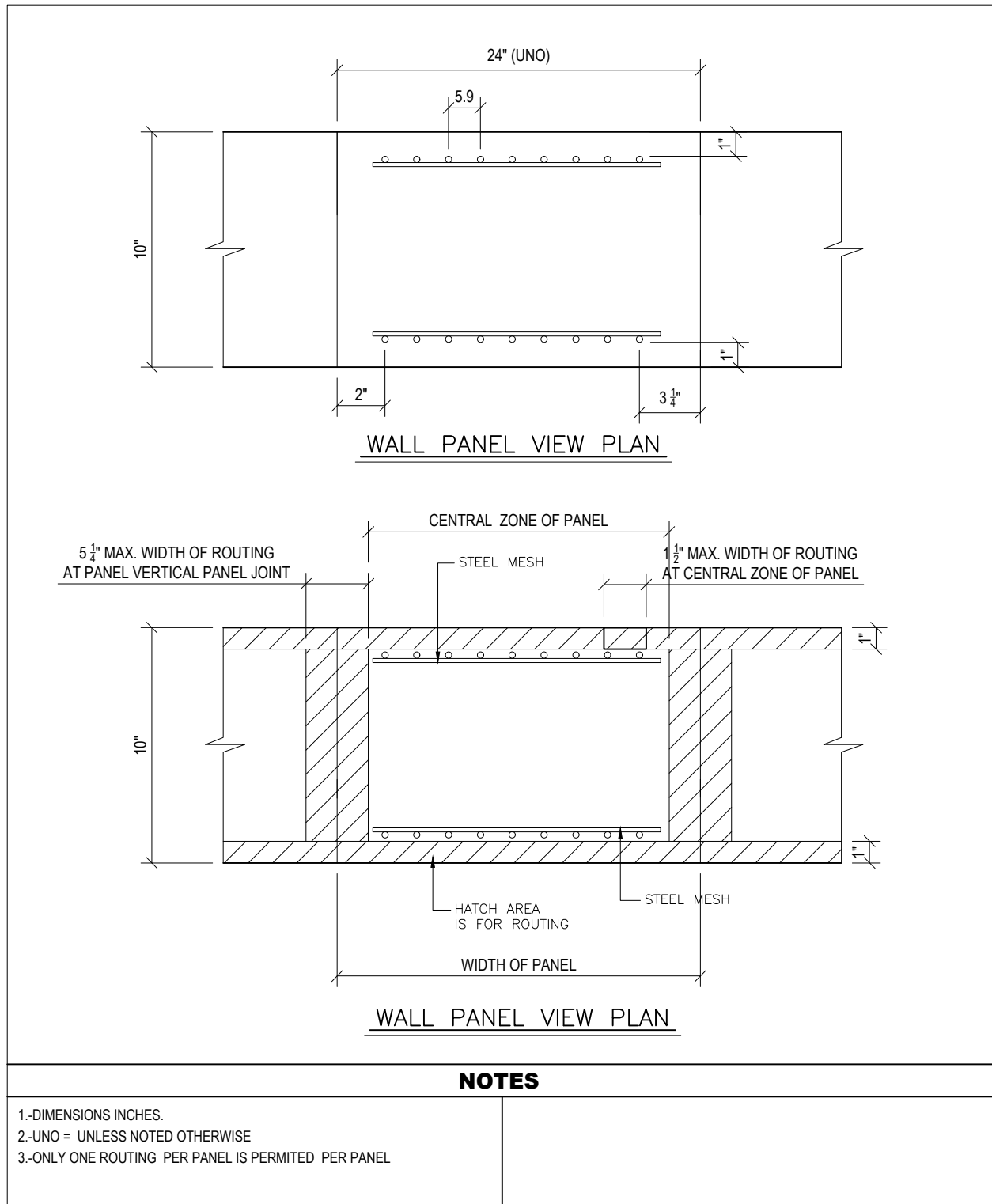
Río Amacuzac #1201 Ote. ■ Col. Valle Oriente ■ San Pedro Garza García, N.L. ■ México ■ 66269

Tel. +52 (81)8399-2464 +52 (81)8399-2462 Fax +52 (81)8399-2420

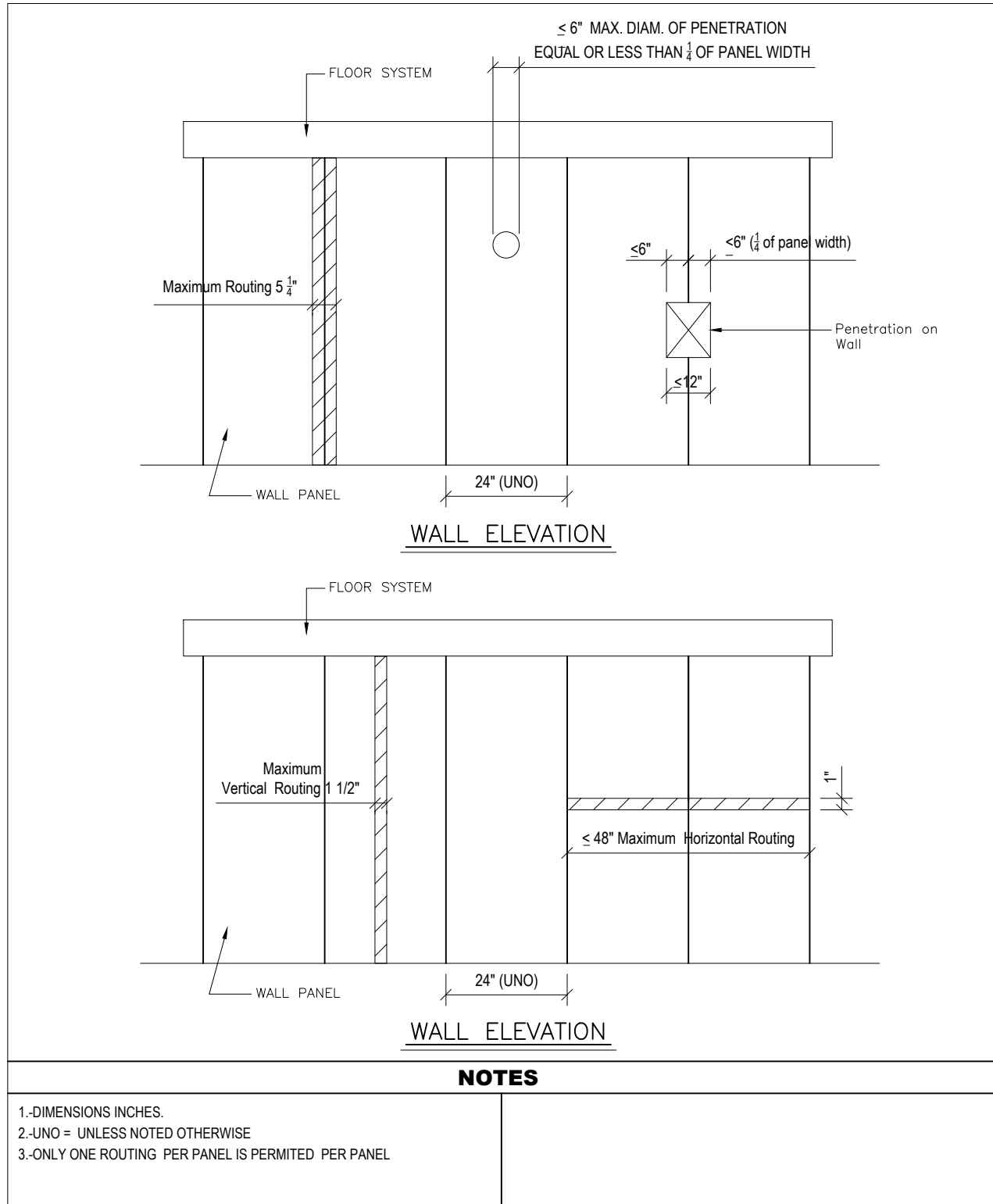
www.hebel.mx

August 2020

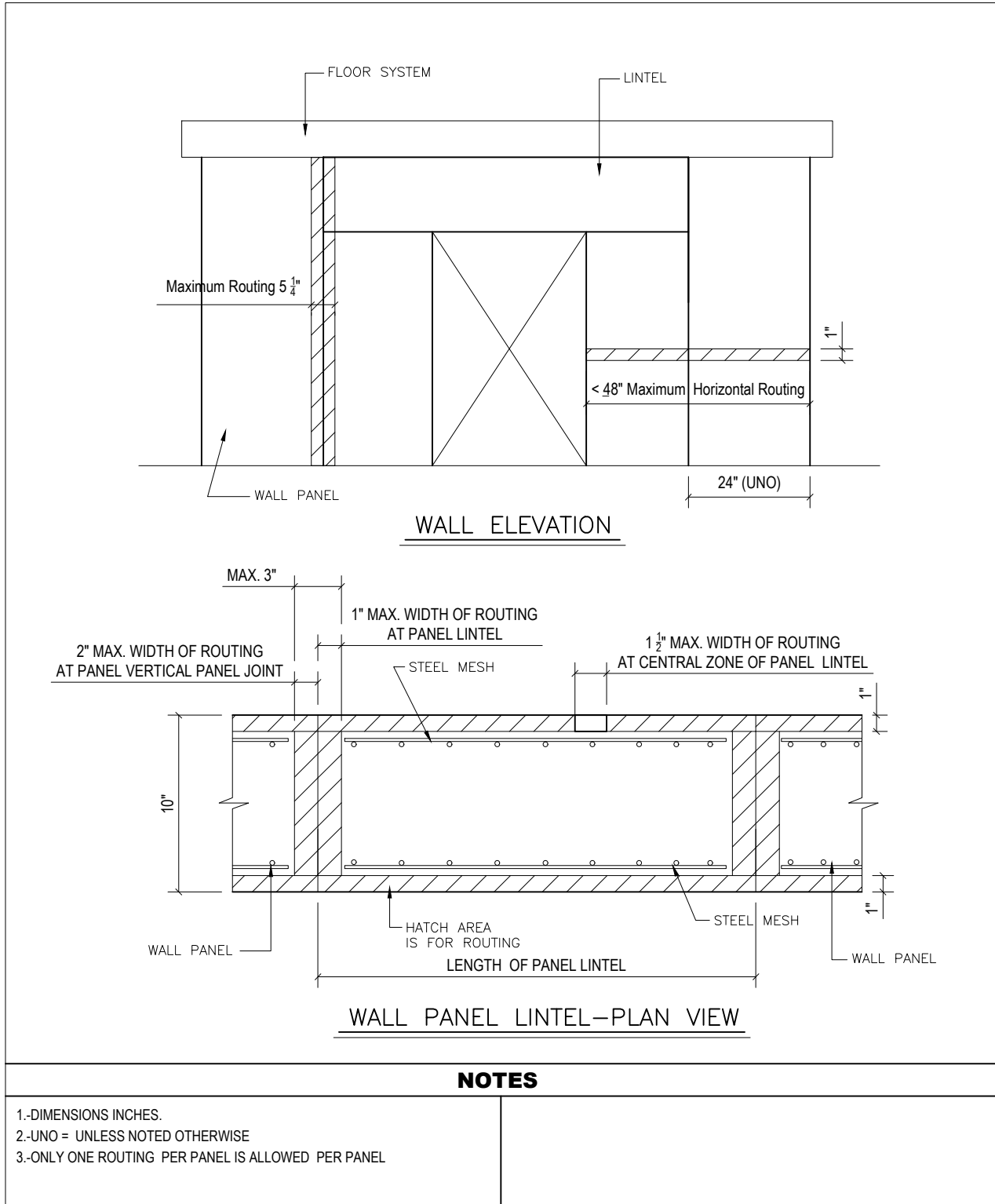
Joint Between AAC Load Bearing Wall Panel - Flat



Drilling and Router on wall Panels



Drilling and Router on wall Panels

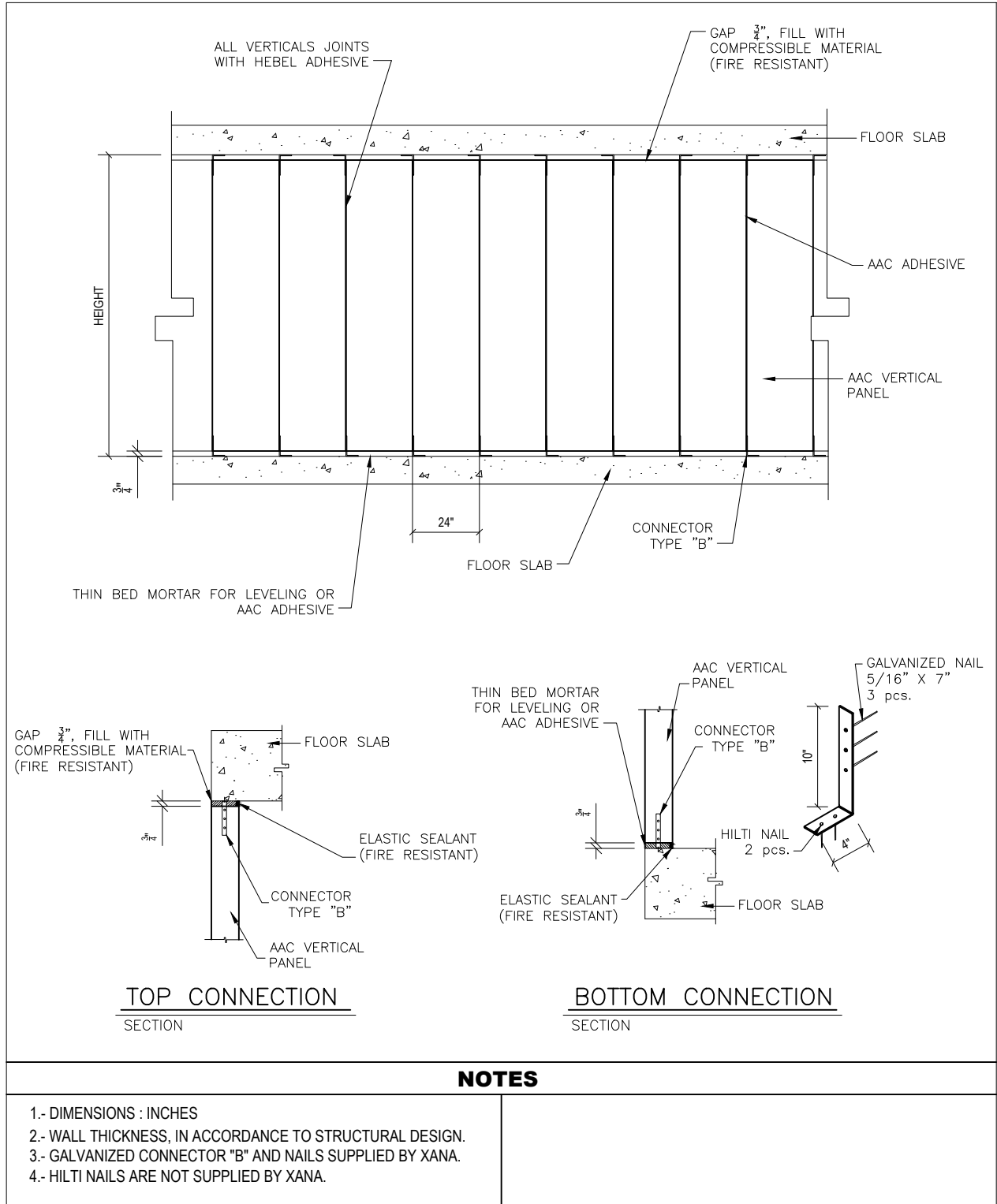


Wall Panel

Technical Sheet WP-23



Fire Wall Connection - Floor to Floor



LITECRETE, S.A. DE C.V.

Río Amacuzac #1201 Ote. ■ Col. Valle Oriente ■ San Pedro Garza García, N.L. ■ México ■ 66269

Tel. +52 (81)8399-2464 +52 (81)8399-2462 Fax +52 (81)8399-2420

www.hebel.mx

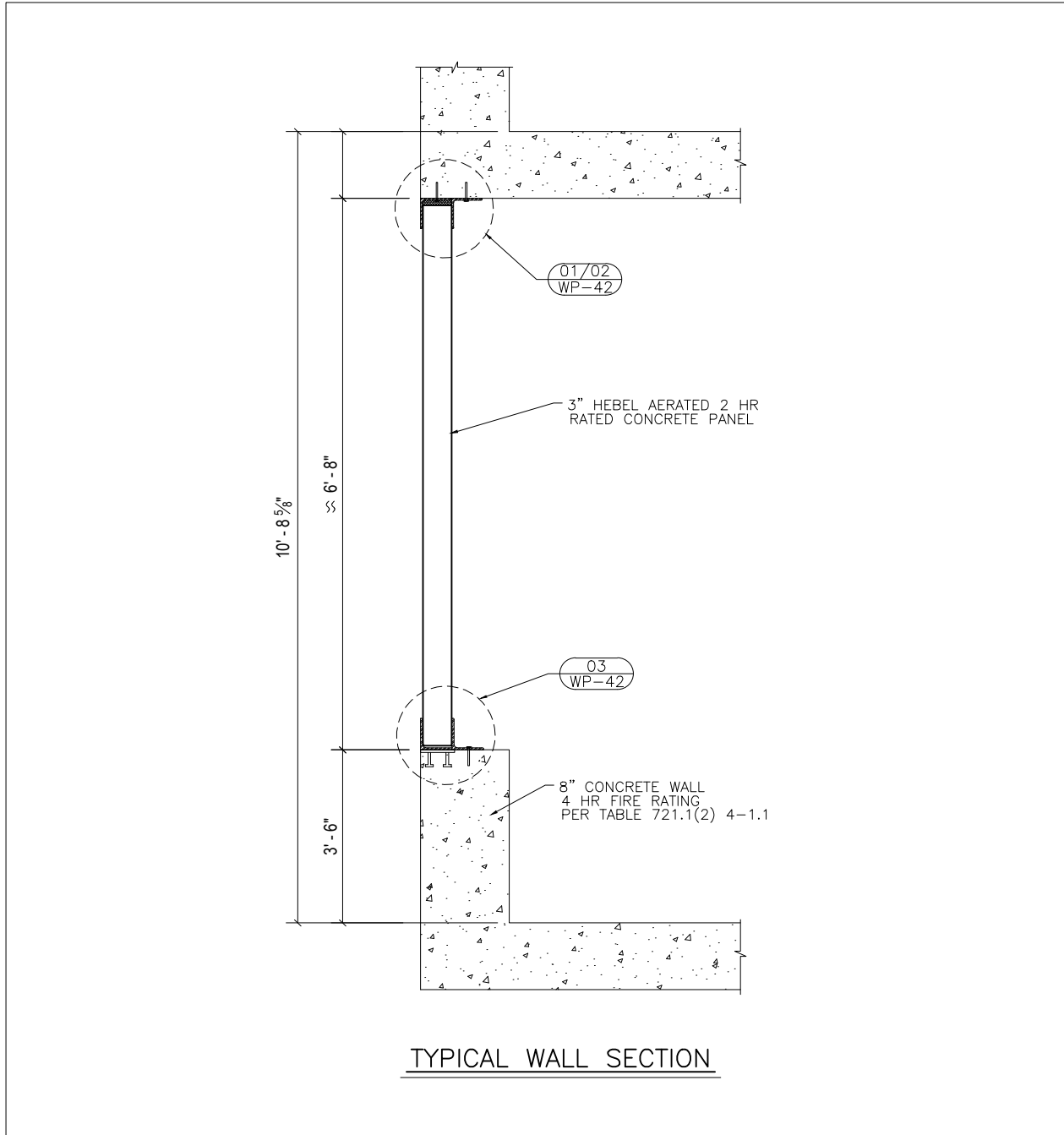
August 2020

Wall Panel

Technical Sheet WP-24



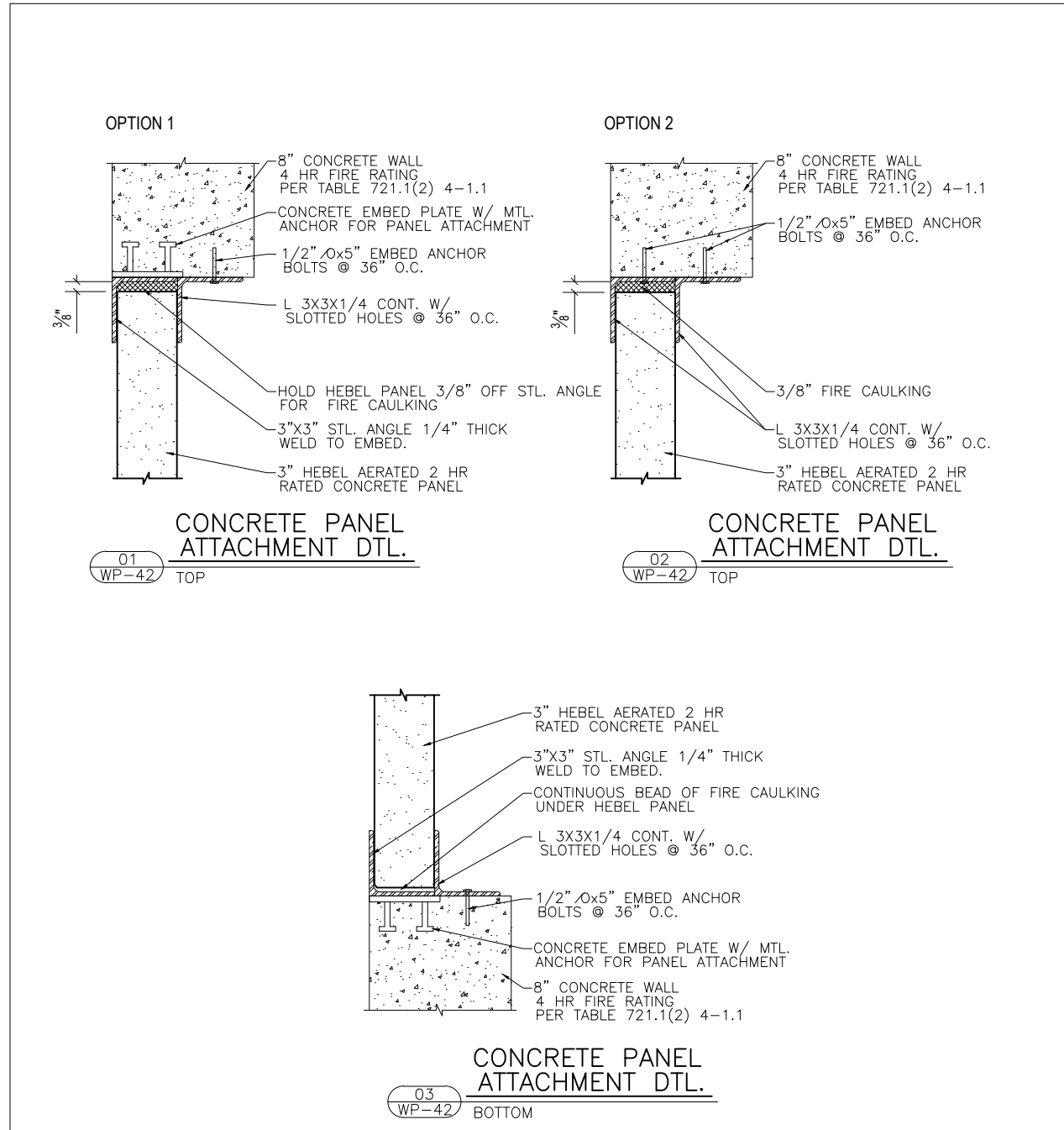
SECTION @ GARAGE/CORRIDOR



NOTES

- 1.- DIMENSIONS : INCHES.
- 2.- SEE CONNECTION DETAILS IN FW-02 TECHNICAL SHEET.

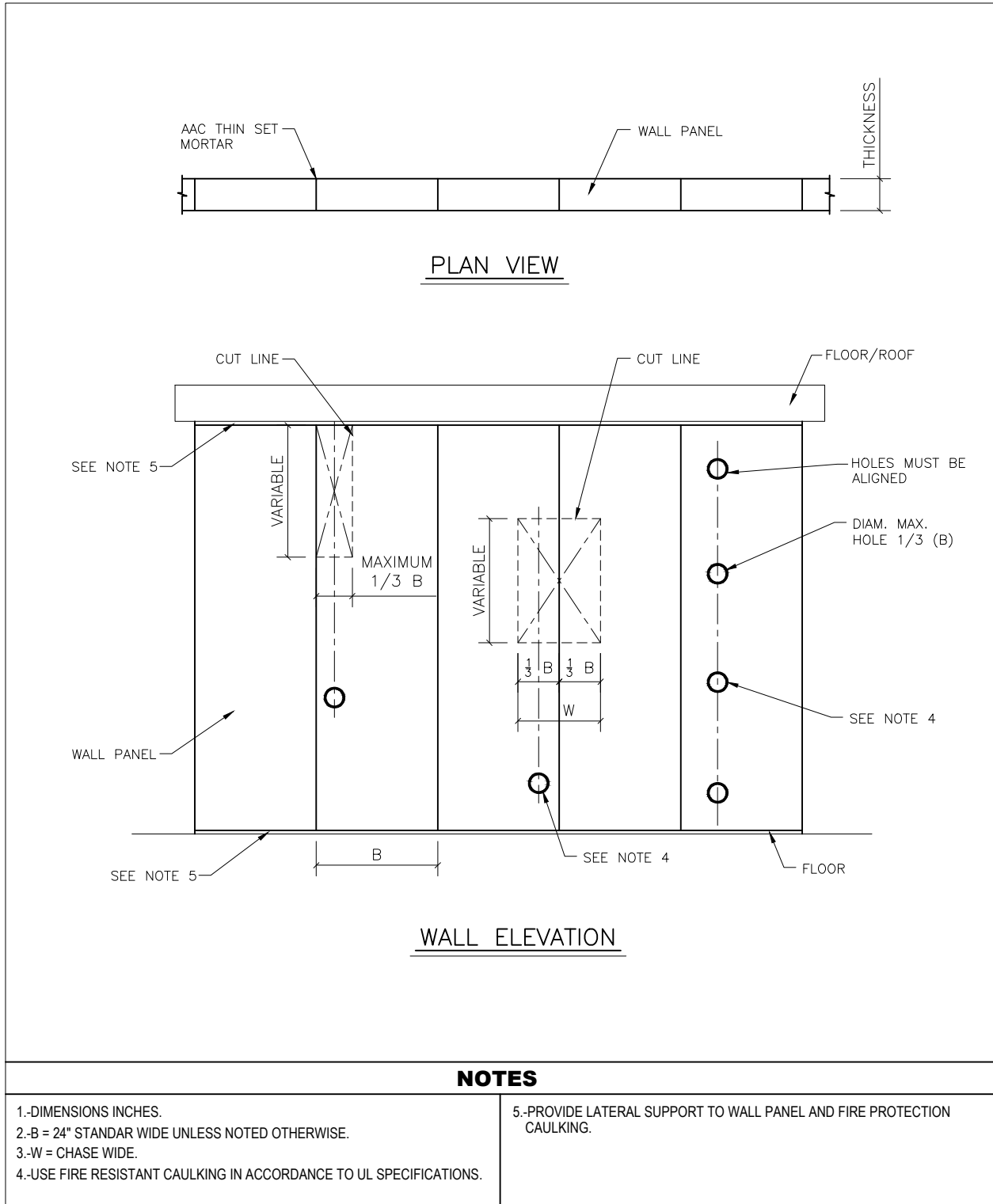
SECTION DETAIL



NOTES

- 1.- DIMENSIONS : INCHES.
- 2.- ANGLES AND BOLTS ARE NOT SUPPLIED BY XANA.

Cut/Penetrations in Cladding Walls

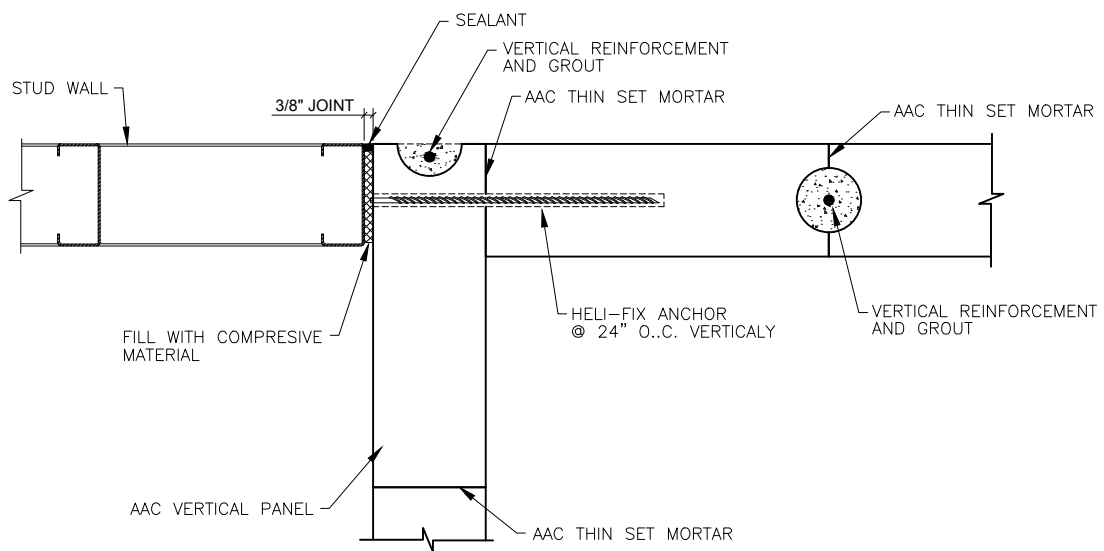


Wall Panel

Technical Sheet WP-27



AAC VERTICAL PANEL METAL STUD CONNECTION



AAC WALL-METAL STUD WALL CONNECTION
w/s

NOTES

- 1.- DIMENTIONS IN INCHES.
- 2.- AAC WALL PANEL THICKNESS IN ACCORDANCE TO ST. DESIGN.

LITECRETE, S.A. DE C.V.

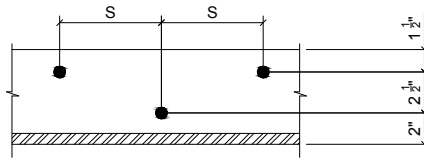
Río Amacuzac #1201 Ote. ■ Col. Valle Oriente ■ San Pedro Garza García, N.L. ■ México ■ 66269

Tel. +52 (81)8399-2464 +52 (81)8399-2462 Fax +52 (81)8399-2420

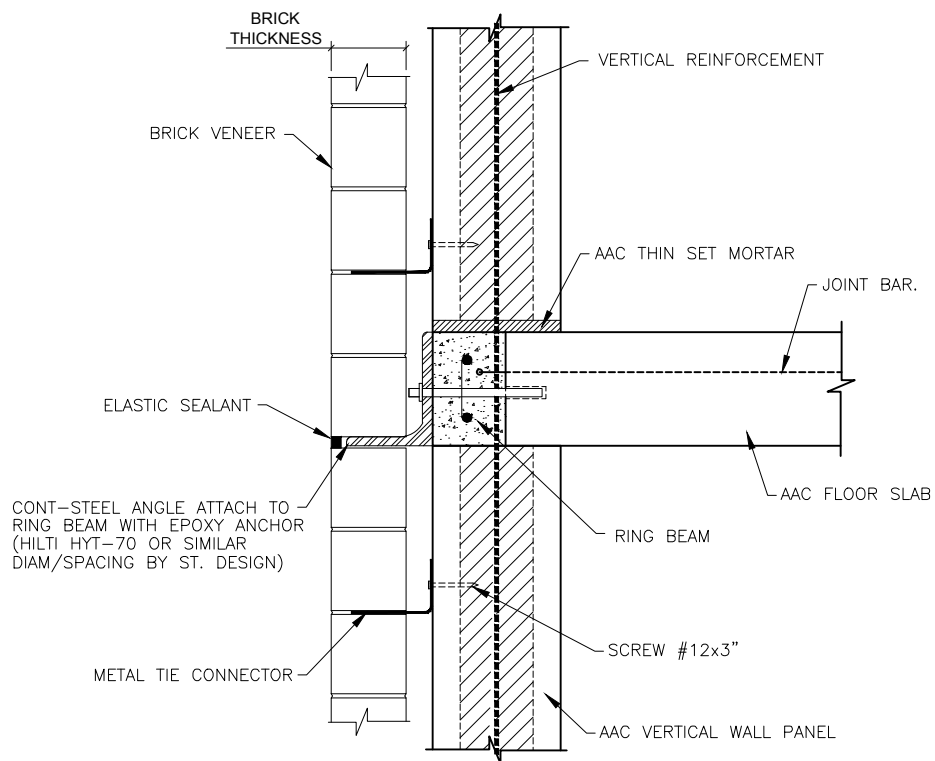
www.hebel.mx

August 2020

BRICK VENEER AND RELIEF ANGLE



ANGLE RELIEF



BRICK VENEER RELIEF STEEL ANGLE
w/s

NOTES

- 1.- DIMENTIONS IN INCHES.
- 2.- AAC WALL PANEL THICKNESS IN ACCORDANCE TO ST. DESIGN.
- 3.- ANGLE DIMENSIONS IN ACCORDANCE ST. DESIGN.
- 4.- ACC FLOOR SLAB THICKNESS IN ACCORDANCE TO ST. DESIGN.