

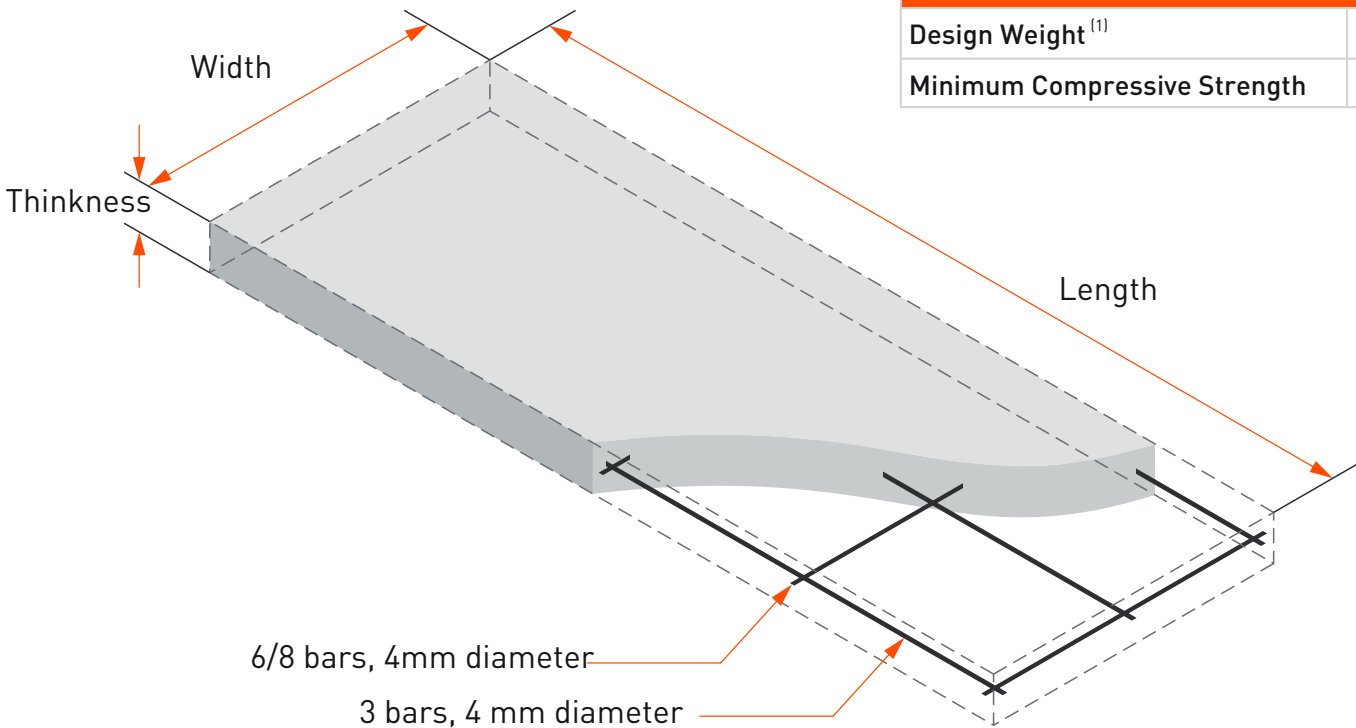
Information

Thickness	Length	Design Weight ⁽¹⁾	Weight per Piece	Area per Piece
	ft-in	lb/ft ²	lb/piece	ft ²
3"	6	9.22	110.73	12
	6-8	9.22	122.74	13.3
	8	9.22	147.52	16

⁽¹⁾ Values consider material's moisture content



Installation Detail



AAC-4	
Design Weight ⁽¹⁾	37.42 lb/ft ³
Minimum Compressive Strength	580 lb/in ²

Contact us for more information:

Litecrete, Inc.
 (210)402-3223 / 1 877 41 HEBEL (1 877 41 43235)
 hebel-usa@hebel.mx
 www.hebel-usa.com