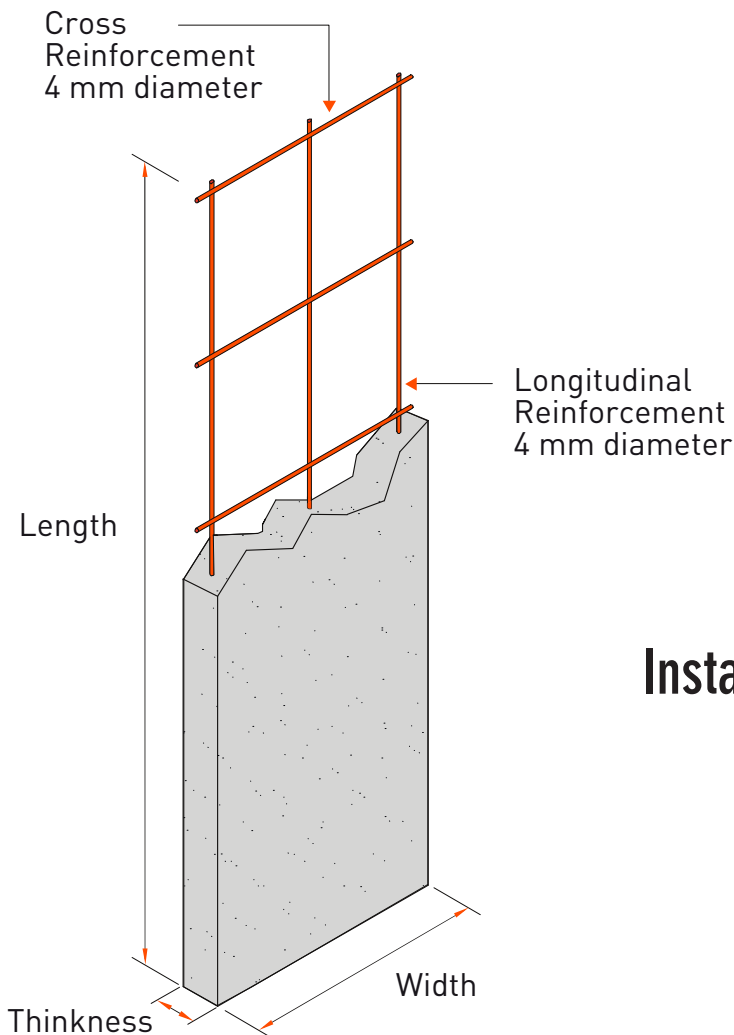
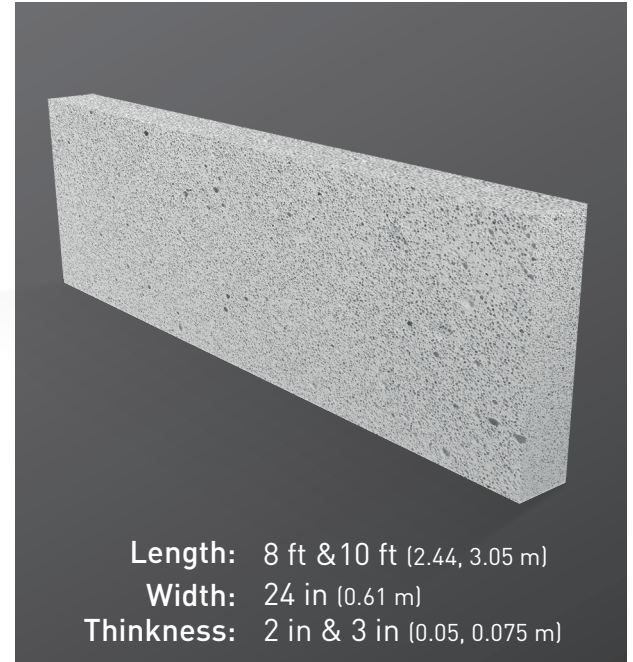


Information

| Thickness (in) | Length | Design Weight ⁽¹⁾ | Weight per Piece | Area per Piece |
|----------------|--------|------------------------------|------------------|-----------------|
| | ft | lb/ft ² | lb/piece | ft ² |
| 2 | 8 | 6.14 | 98.45 | 16 |
| 3 | 8 | 9.22 | 147.67 | 16 |
| | 10 | 9.22 | 184.57 | 20 |

⁽¹⁾ Values consider material's moisture content



| AAC-4 | |
|------------------------------|--------------------------|
| Design Weight ⁽¹⁾ | 37.42 lb/ft ³ |
| Minimum Compressive Strength | 580 lb/in ² |

Installation Detail

Contact us for more information:

Litecrete, Inc.
 (210)402-3223 / 1 877 41 HEBEL (1 877 41 43235)
 hebel-usa@hebel.mx
 www.hebel-usa.com