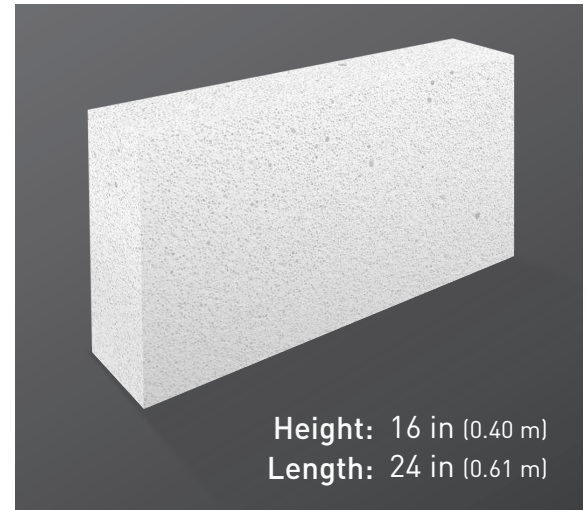


## Information

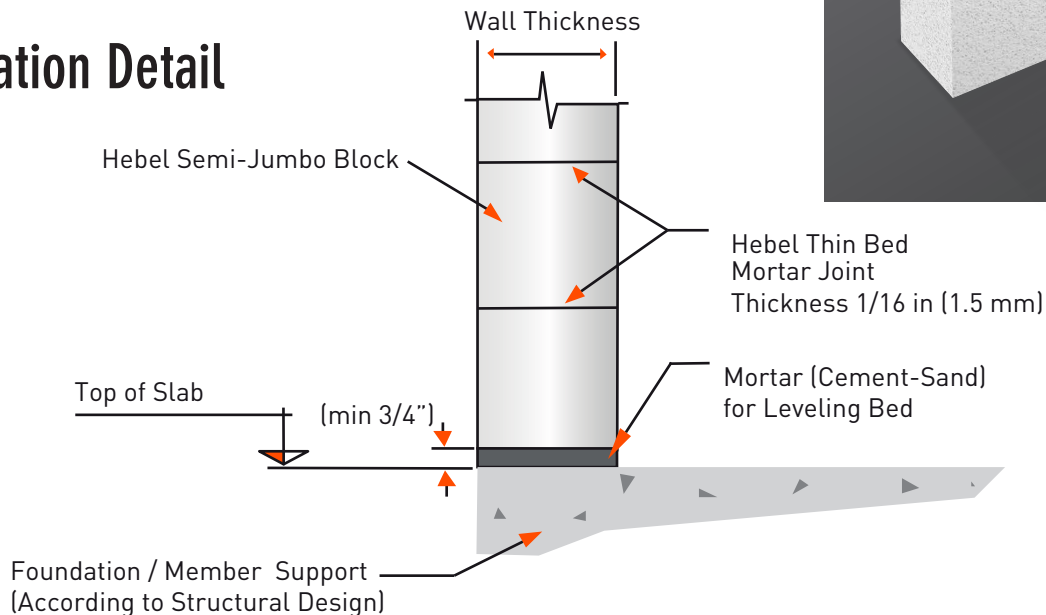
Thickness (in)		Design Weight <sup>(2)</sup>				Pallet			Hebel Thin Bed Mortar <sup>(3)</sup>	
		AAC-4		AAC-6						
in <sup>(1)</sup>	in*	lb/ft <sup>2</sup>	lb/piece	lb/ft <sup>2</sup>	lb/piece	piece	ft <sup>2</sup>	ft <sup>3</sup>	lb/ft <sup>2</sup>	lb/ft <sup>3</sup>
4	3.937	12.3	32.3	14.7	38.7	90	236.4	77.6	0.36	1.10
5	4.921	15.4	40.4	18.4	48.4	72	189.1	77.6	0.45	1.10
6	5.906	18.4	48.4	22.1	58.1	60	157.6	77.6	0.54	1.10
7	6.889	21.5	56.5	25.8	67.8	48	126.1	72.4	0.63	1.10
8	7.874	24.6	64.6	29.5	77.5	42	110.3	72.4	0.72	1.10
10	9.843	30.7	80.7	36.9	96.8	36	94.6	77.6	0.90	1.10
12	11.811	36.9	96.8	44.2	116.2	30	78.8	77.6	1.08	1.10

<sup>(1)</sup> Nominal dimension, <sup>(2)</sup> Values consider material's moisture content, <sup>(3)</sup> Average performance, \*Exact dimension.

AAC-4	
Design Weight <sup>(2)</sup>	37.45 lb/ft <sup>3</sup>
Minimum Compressive Strength	580 lb/in <sup>2</sup>
AAC-6	
Design Weight <sup>(2)</sup>	44.95 lb/ft <sup>3</sup>
Minimum Compressive Strength	870 lb/in <sup>2</sup>



## Installation Detail



### Contact us for more information:

Litecrete, Inc.  
(210)402-3223 / 1 877 41 HEBEL (1 877 41 43235)  
hebel-usa@hebel.mx  
www.hebel-usa.com