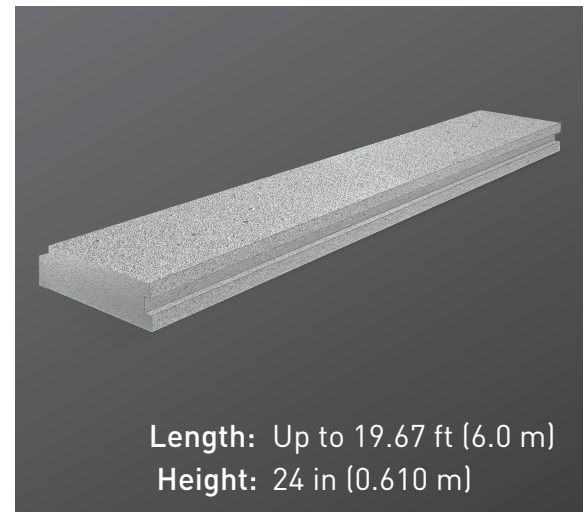


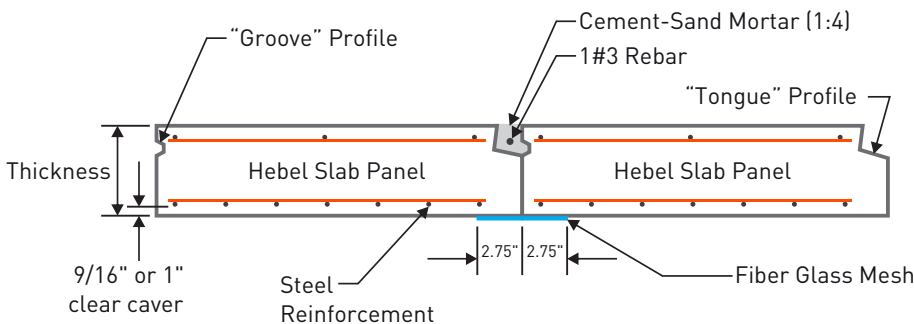
## Information

Allowable Load Table for Hebel Panel															
Thickness		Superimposed uniform Load (psf)											Design Weight <sup>(8)</sup>	Design Weight <sup>(8)</sup>	
		20	40	60	80	40	60	80	20	40	60	80			
in <sup>(6)</sup>	Dimensión (in) <sup>(7)</sup>	AAC-6						AAC-4						lb/ft <sup>2</sup>	lb/ft <sup>2</sup>
		Roof			Floor			Roof			Floor				
		Maximum Permissible Span (ft)											AAC-6	AAC-4	
4	3.937	12	11	9	8	9	8	7	11	9	8	7	14.75	12.29	
6	5.906	18	15	13	12	14	13	12	16	13	11	10	22.12	18.44	
8	7.874	21	19	17	16	18	17	16	19	17	15	14	29.49	24.58	
10	9.843	20	20	20	19	20	19	19	20	20	18	17	36.87	30.73	

- The allowable superimposed out-of-plane loads are nominal loads defined in IBC Section 1602.1 and derived from strength design.
- Design unit weights of material are 37.42 pcf for AAC 4 and 44.95 pcf for AAC 6.
- The roof and floor slabs are designed for dead weight and uniformly distributed downward superimposed loads only. If uplift (wind) forces are encountered, further investigation is necessary to determine the uplift load capacity.
- Total load deflection (DL + LL) does not exceed 1/300 of span for roof and floor slabs having spans less than or equal to 19.4 feet.
- More stringent deflection limits and/or analysis of long-term deflection must be provided if slabs support nonstructural panels likely to be damaged by large deflections.
- Nominal dimension.
- Exact dimensión.
- Values consider material's moisture content.



## Installation Detail



AAC-4	
Design Weight <sup>(8)</sup>	37.42 lb/ft <sup>3</sup>
Minimum Compressive Strength	580 lb/in <sup>2</sup>
AAC-6	
Design Weight <sup>(8)</sup>	44.95 lb/ft <sup>3</sup>
Minimum Compressive Strength	870 lb/in <sup>2</sup>

### Contact us for more information:

**Litecrete, Inc.**  
 (210)402-3223 / 1 877 41 HEBEL (1 877 41 43235)  
 hebel-usa@hebel.mx  
 www.hebel-usa.com